



ALMECO

air and water technologies



MOR

Side channel blowers

SIDE CHANNEL BLOWER • EXECUTION MOR

CONTENT

TYPE MS

- 06R-MS MOR [Page 3](#)
- K03MS MOR [Page 7](#)
- K04MS MOR [Page 9](#)
- K05MS MOR [Page 11](#)
- K06MS MOR [Page 13](#)
- K07MS MOR [Page 15](#)
- K75MS MOR [Page 17](#)
- K08MS MOR [Page 19](#)
- K09MS MOR [Page 21](#)
- K10MS MOR [Page 23](#)
- K11MS MOR [Page 25](#)
- K12MS MOR [Page 27](#)

TYPE MD

- 10DL-MD MOR [Page 29](#)
- 15DH-MD MOR [Page 29](#)
- R20MD MOR [Page 33](#)
- R30MD MOR [Page 35](#)
- R40MD MOR [Page 37](#)
- K07RMD MOR [Page 41](#)
- K08RMD MOR [Page 43](#)
- K09MD MOR [Page 45](#)
- K10MD MOR [Page 47](#)
- K11MD MOR [Page 49](#)
- K12MD MOR [Page 51](#)

TYPE TS

- K05TS MOR [Page 53](#)
- K05-66TS MOR [Page 55](#)
- K06TS MOR [Page 57](#)
- K07TS MOR [Page 59](#)
- K08TS MOR [Page 61](#)
- K09TS MOR [Page 63](#)
- K10TS MOR [Page 65](#)
- K11TS MOR [Page 67](#)
- K12TS MOR [Page 69](#)

TYPE TD

- K04TD MOR [Page 71](#)
- K05TD MOR [Page 73](#)
- K06TD MOR [Page 75](#)
- K07TD MOR [Page 77](#)
- K08TD MOR [Page 79](#)
- K09TD MOR [Page 81](#)
- K10TD MOR [Page 83](#)
- K11TD MOR [Page 85](#)
- K12TD MOR [Page 87](#)



SIDE CHANNEL BLOWER

06R-MS MOR

Technical characteristics

- Aluminium alloy construction
- High efficiency impeller

Options

- Special voltages (IEC 60038)
- Surface treatments
- Increased seal version



PRESSURE

Model	N 2900 rpm [kW]	N 3500 rpm [kW]	Q _{max} 2900 rpm [m ³ /h]	Q _{max} 3500 rpm [m ³ /h]	ΔP max 2900 rpm [hPa] (mbar)	ΔP max 3500 rpm [hPa] (mbar)	Leq ¹ 2900 rpm (Lp) [db(A)]	Leq ¹ 3500 rpm (Lp) [db(A)]	Weight ² max [kg]
06R-MS	0,2	0,23	55	66	90	80	58	58,7	6,5
	-	0,4	55	66	-	120	-	59	7,1

VACUUM

Model	N 2900 rpm [kW]	N 3500 rpm [kW]	Q _{max} 2900 rpm [m ³ /h]	Q _{max} 3500 rpm [m ³ /h]	ΔP max 2900 rpm [hPa] (mbar)	ΔP max 3500 rpm [hPa] (mbar)	Leq ¹ 2900 rpm (Lp) [db(A)]	Leq ¹ 3500 rpm (Lp) [db(A)]	Weight ² max [kg]
06R-MS	0,2	0,23	55	66	82	80	58	58,7	6,5
	-	0,4	55	66	-	120	-	59	7,1

¹ Noise measured at 1m distance with inlet and outlet ports piped, in accordance to ISO 3744.

² Value refers to the weight of the machine with 3 Phase motor if MOR range, without motor if GOR or GVR range.

INSTALLATION

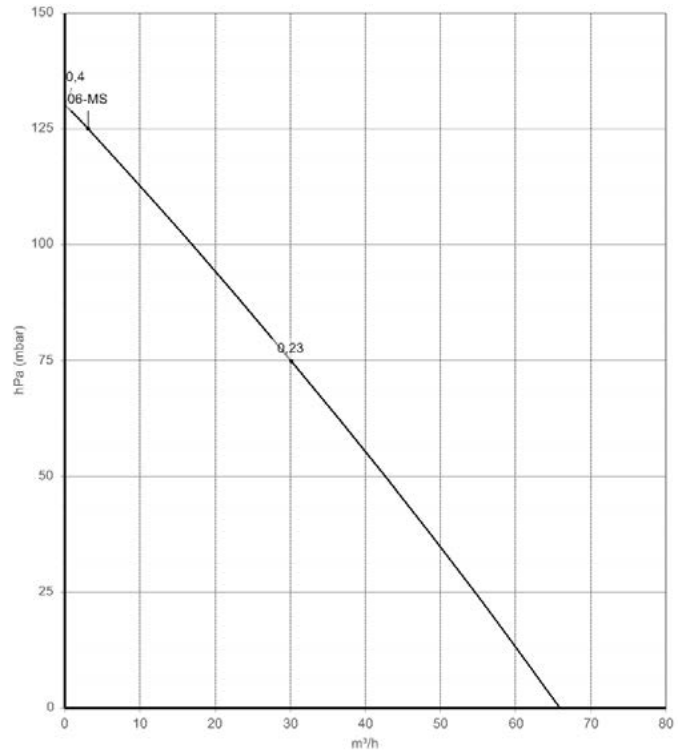
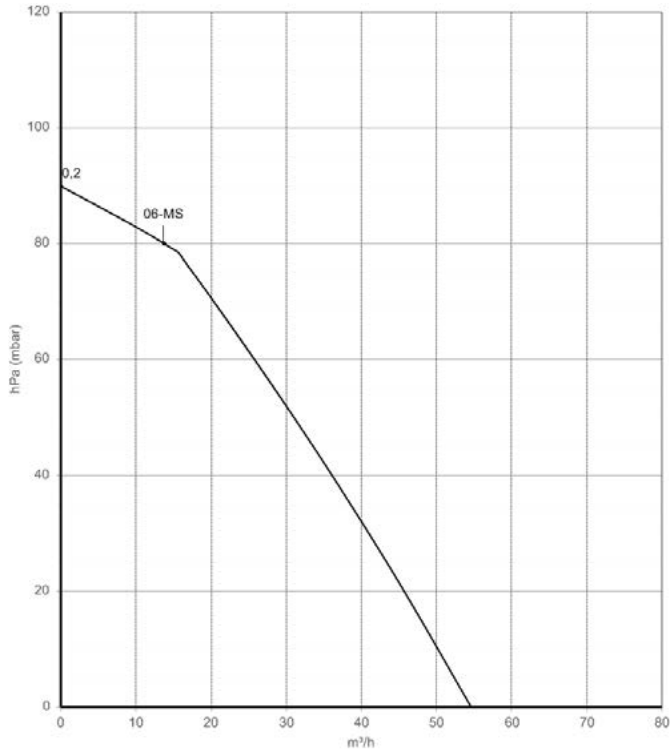
- For proper operation of the machine, it must be provided with a suction FILTER and a vacuum/pressure limiting VALVE.
- Other accessories are available on request.
- Permissible ambient and fluid temperature in suction from -15 °C to +40 °C.
- Read the instruction manual carefully before installing the machine.

PRESSURE

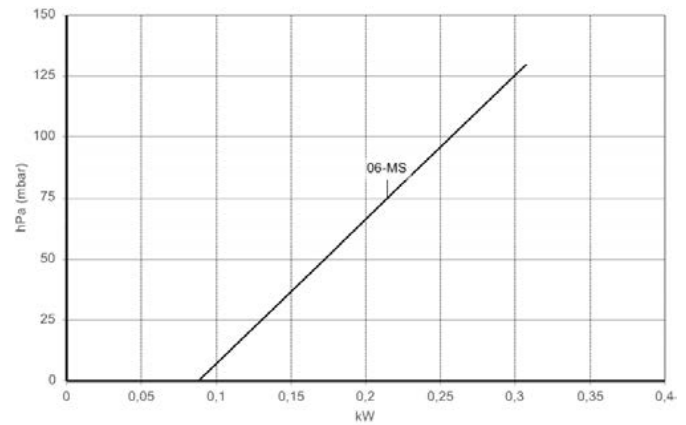
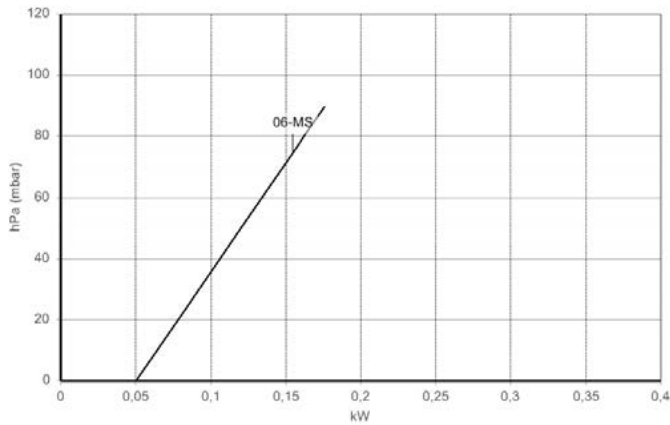
2900 rpm (50 Hz)

3500 rpm (60 Hz)

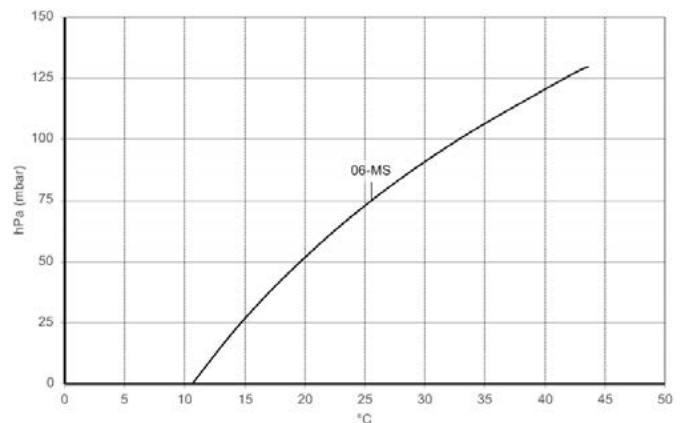
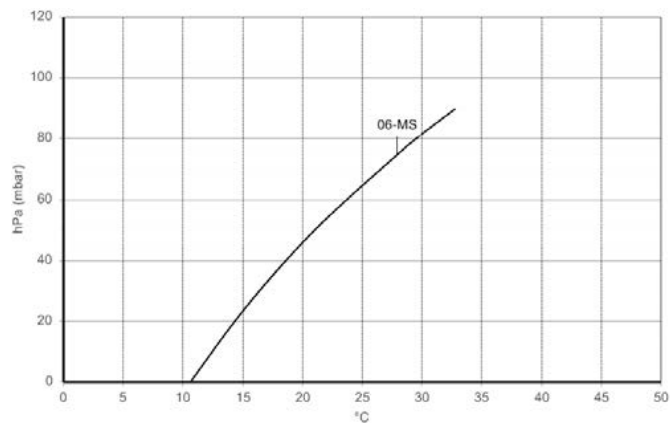
FLOW RATE



ABSORBED POWER



TEMPERATURE INCREASE



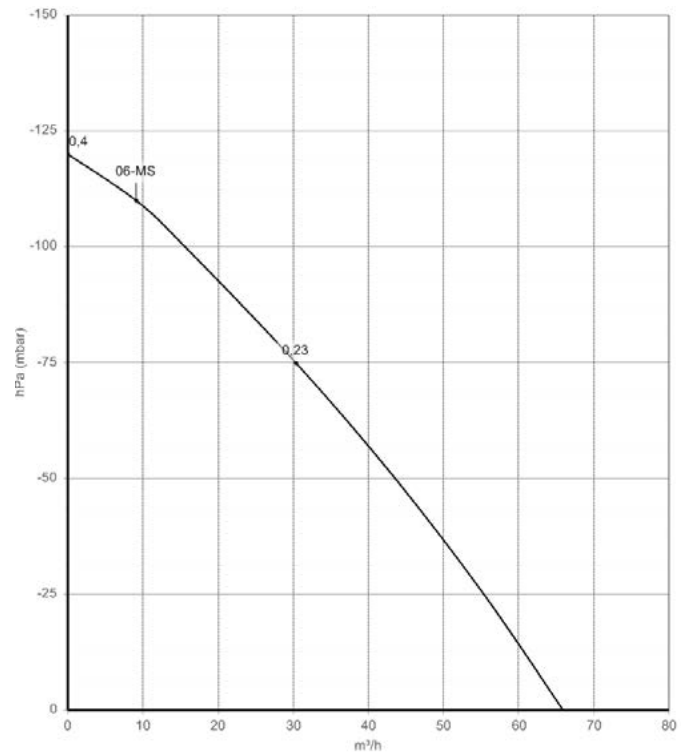
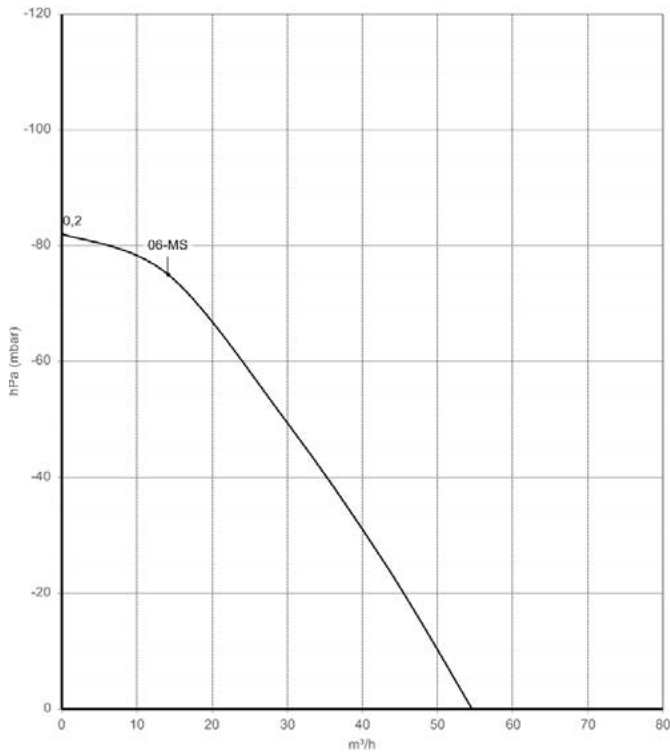
Curves referring to air at a temperature of 20 °C and atmospheric pressure of 1013 mbar (abs).
Tolerance on indicated values ± 10%.
Data subject to change without notice.

VACUUM

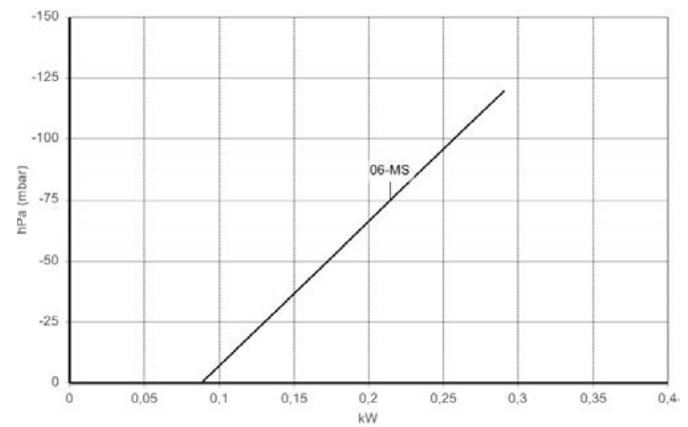
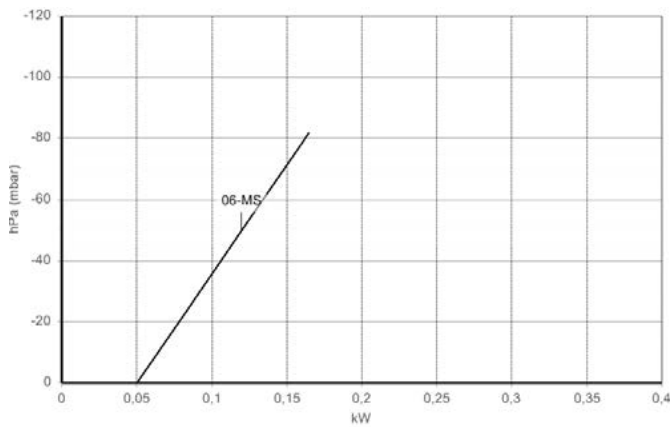
2900 rpm (50 Hz)

3500 rpm (60 Hz)

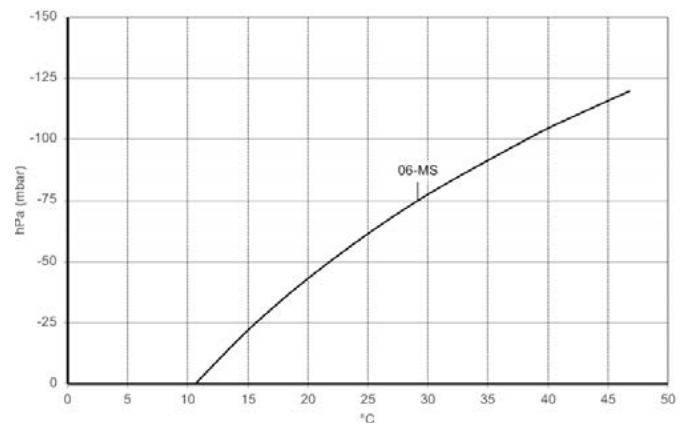
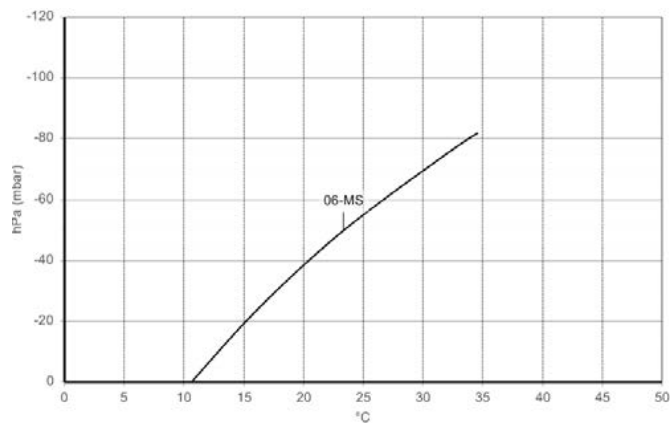
FLOW RATE



ABSORBED POWER

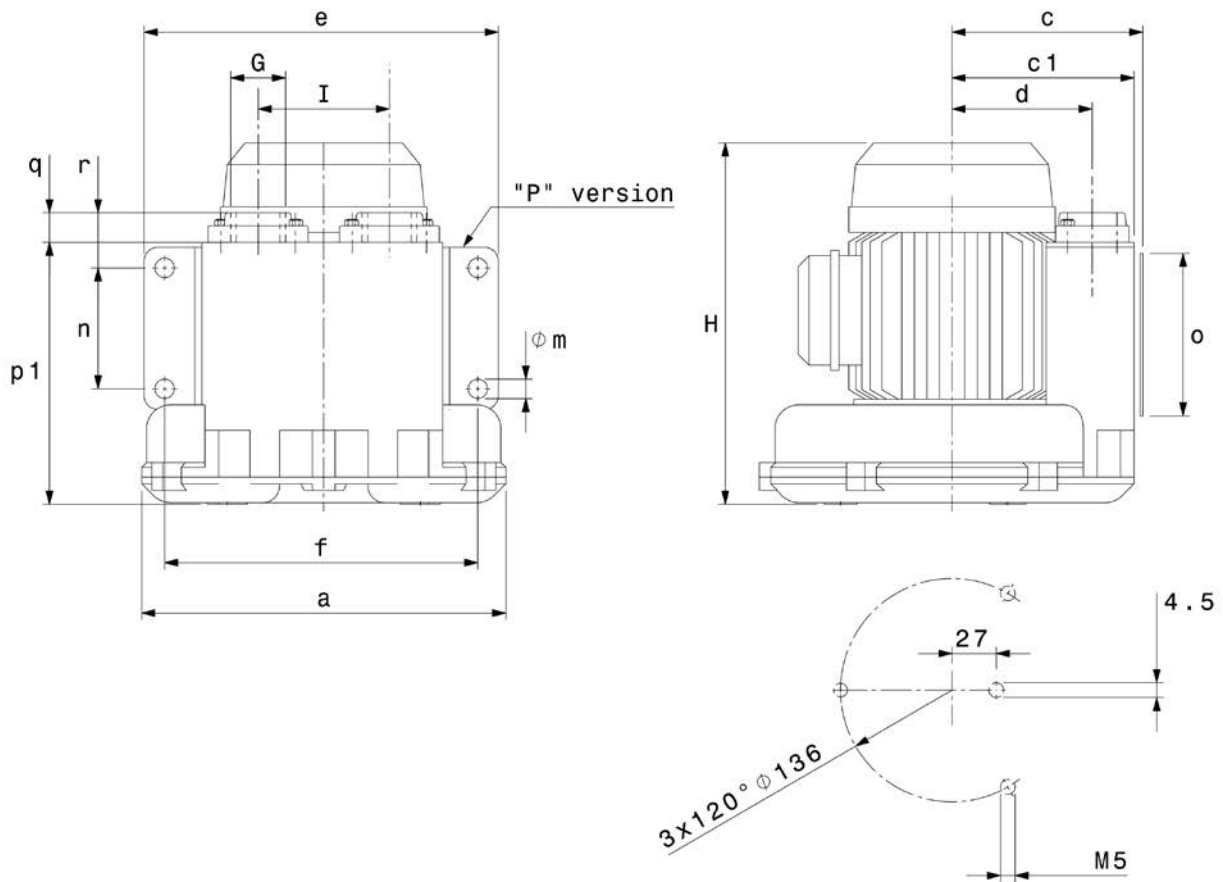


TEMPERATURE INCREASE



Curves referring to air at a temperature of 20 °C and atmospheric pressure of 1013 mbar (abs).
Tolerance on indicated values ± 10%.
Data subject to change without notice.

DIMENSIONS



Dimensions in mm
NOT Binding

Model	a	c	c1	d	e	f	f1	f2
06R-MS	222	116	111	86	220	195	1"	235
H	i	m	n	o	p1	q	r	
235	80	11	75	105	160	15	35	

SIDE CHANNEL BLOWER • VERSION IE2

K03MS MOR

Technical characteristics

- Aluminium alloy construction
- Smooth operation
- Maintenance free

Electric motor

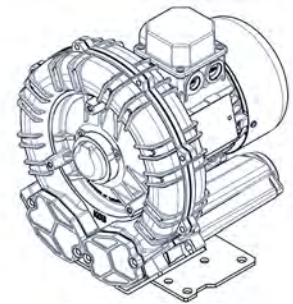
- Motors with IP55 protection rating
- Class F insulation, suitable for operating with inverter (refer to FPZ)
- Thermal Protector (PTO) as standard

Options

- Special voltages (IEC 60038)
- Surface treatments
- Increased seal version

	[V] (Δ / Y)	[Hz]
IE2	230 / 400	50
	265 / 460	60
Wide range	200 - 240 / 345 - 415	50
	220 - 280 / 380 - 480	60

Supply voltage - IE2 only at 50 Hz - Tolerance on the fixed voltage value $\pm 10\%$, in range $\pm 5\%$.



PERFORMANCE TABLE

P _n [kW]	Frequency [Hz]	Δp_{max} [mbar]		Q _{max} [m ³ /h]	Leq ¹ [dB(A)]	Weight [kg]	H ³ [mm]	Current Consumption (Y / Δ) [A]		Cos ϕ [-]	Speed [rpm]
		Suction	Compression					IE2 ²	Range		
0.37	50	100	110	74	58.7	11	245	1.07 / 1.85	1.03-1.13 / 1.78-1.95	0.67	2830
0.42	60	100	100	89	60.7	11	245	1.00 / 1.73	1.02-1.06 / 1.76-1.83	0.68	3430
0.55	50	125	150	74	58.7	12	245	1.42 / 2.46	1.43-1.46 / 2.47-2.53	0.72	2845
0.65	60	175	200	89	60.7	12	245	1.40 / 2.42	1.49-1.41 / 2.58-2.44	0.75	3435

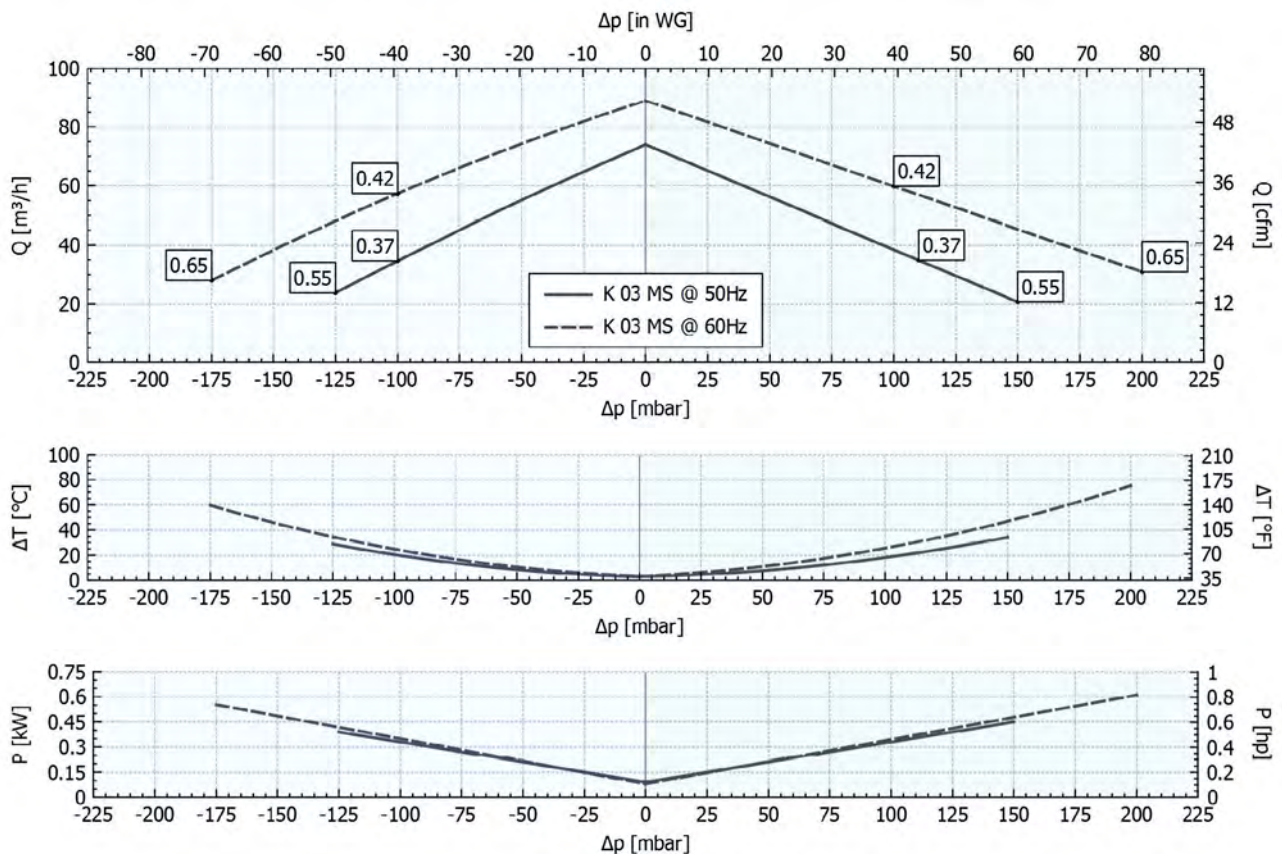
1. Noise level measured at a distance of 1 m with ducted intake and delivery, in accordance with Standard ISO 3744.

2. IE2 only at 50Hz.

3. See figure "dimensions" at following page.

SUCTION

COMPRESSION

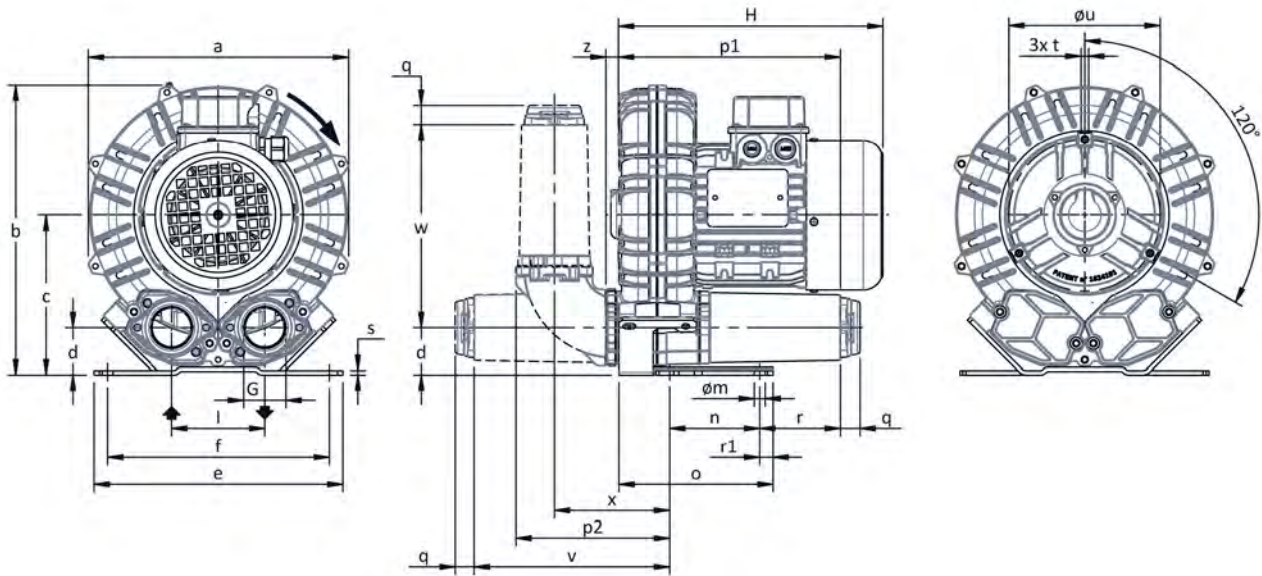


Tolerance on indicated values $\pm 10\%$.

Data subject to change without notice.

Curves referring to air at a temperature of 20 °C and atmospheric pressure of 1013 mbar (abs).

DIMENSIONS



NOT Binding
Dimensions in mm

a	b	c	d	d1	e	f	G	l	l1	l2	m	n	o	p1	p2	q	r	r1	s	t	u	v	w	x	y	z
241	268	147	43	-	230	205	G 1" 1/4	86	-	-	10	83	142	205	140	18	75	12.5	4	M6	140	180	188	106	-	12

INSTALLATION

- For proper operation of the machine, it must be provided with a suction FILTER and a vacuum/pressure limiting VALVE.
- Other accessories are available on request.
- Permissible ambient and fluid temperature in suction from -15 °C to +40 °C.
- Read the instruction manual carefully before installing the machine.

SIDE CHANNEL BLOWER • VERSION IE2

K04MS MOR

Technical characteristics

- Aluminium alloy construction
- Smooth operation
- Maintenance free

Electric motor

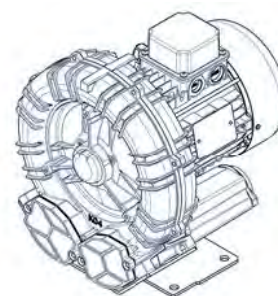
- Motors with IP55 protection rating
- Class F insulation, suitable for operating with inverter (refer to FPZ)
- Thermal Protector (PTO) as standard

Options

- Special voltages (IEC 60038)
- Surface treatments
- Increased seal version

	[V] (Δ / Y)	[Hz]
IE2	230 / 400	50
	265 / 460	60
Wide range	200 - 240 / 345 - 415	50
	220 - 280 / 380 - 480	60

Supply voltage - IE2 only at 50 Hz - Tolerance on the fixed voltage value $\pm 10\%$, in range $\pm 5\%$.



PERFORMANCE TABLE

P _n [kW]	Frequency [Hz]	Δ p _{max} [mbar]		Q _{max} [m ³ /h]	Leq ¹ [dB(A)]	Weight [kg]	H ³ [mm]	Current Consumption (Y / Δ) [A]		Cosφ [-]	Speed [rpm]
		Suction	Compression					IE2 ²	Range		
0.9	60	125	125	166	63.6	16.5	285	1.73 / 3.00	2.03-1.74 / 3.52-3.01	0.82	3460
1.1	50	200	200	137	61.6	18.2	285	2.37 / 4.10	2.62-2.37 / 4.54-4.10	0.83	2870
1.3	60	175	175	166	63.6	18.2	285	2.38 / 4.11	2.80-2.36 / 4.85-4.09	0.84	3455
1.5	50	-	250	137	61.6	21.5	310	3.25 / 5.62	3.47-3.30 / 6.00-5.71	0.81	2900
1.7	60	250	250	166	63.6	21.5	310	3.10 / 5.37	3.53-3.10 / 6.11-5.36	0.82	3505

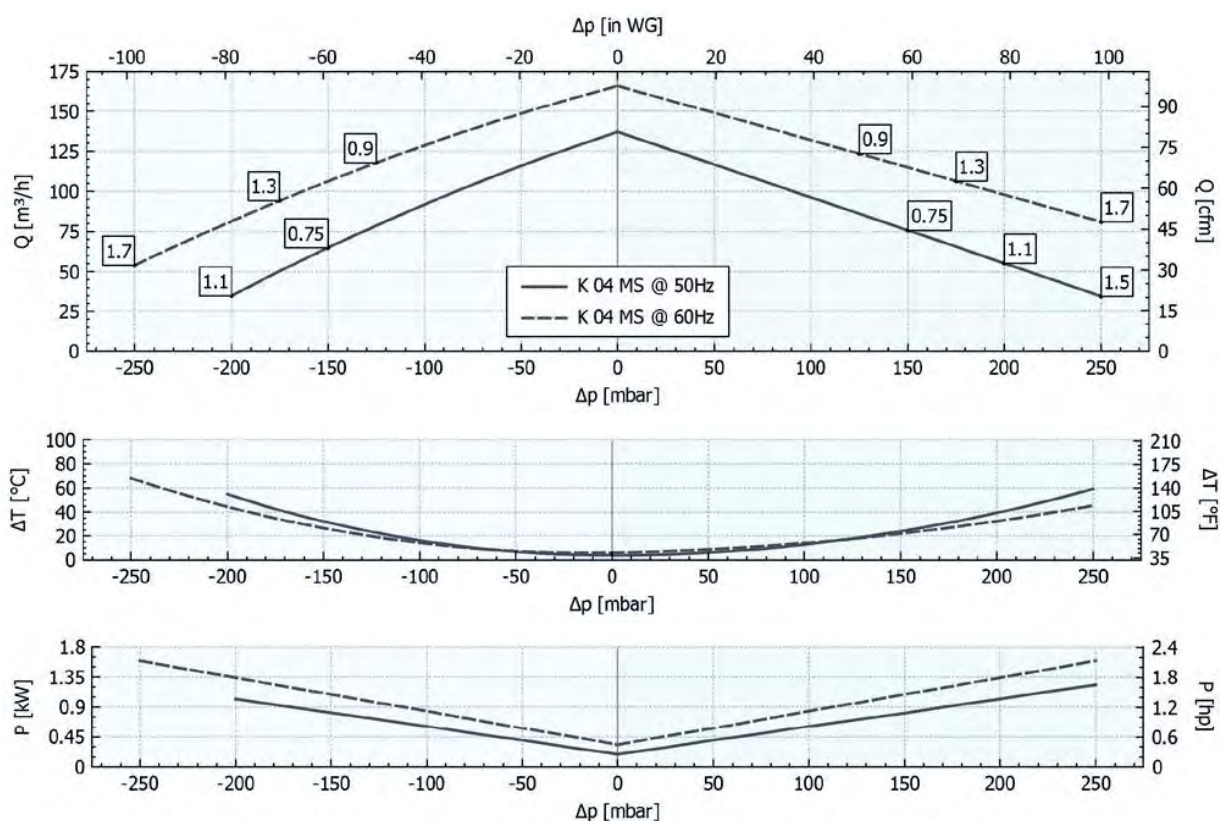
1. Noise level measured at a distance of 1 m with ducted intake and delivery, in accordance with Standard ISO 3744.

2. IE2 only at 50Hz.

3. See figure "dimensions" at following page.

SUCTION

COMPRESSION

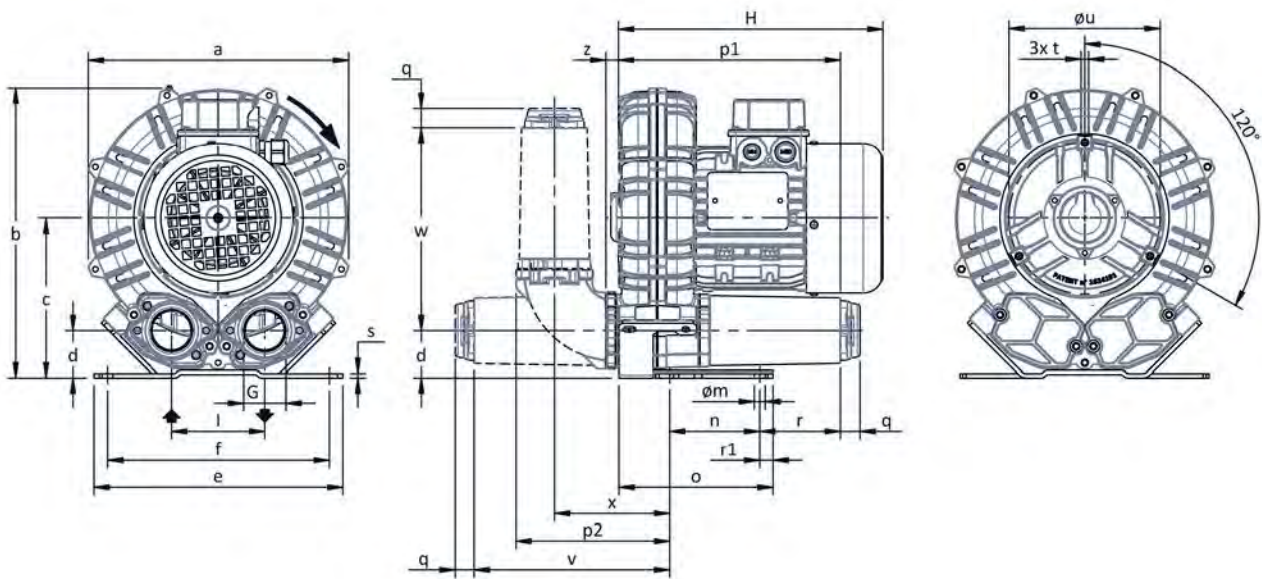


Tolerance on indicated values $\pm 10\%$.

Data subject to change without notice.

Curves referring to air at a temperature of 20 $^{\circ}C$ and atmospheric pressure of 1013 mbar (abs).

DIMENSIONS



NOT Binding
 Dimensions in mm

a	b	c	d	d1	e	f	G	l	l1	l2	m	n	o	p1	p2	q	r	r1	s	t	u	v	w	x	y	z
285	315	172	49	-	255	255	G 1" 1/2	102	-	-	12	95	171	222	160	18	70	15	4	M6	175	195	188	120	-	18

INSTALLATION

- For proper operation of the machine, it must be provided with a suction FILTER and a vacuum/pressure limiting VALVE.
- Other accessories are available on request.
- Permissible ambient and fluid temperature in suction from -15 °C to +40 °C.
- Read the instruction manual carefully before installing the machine.

SIDE CHANNEL BLOWER • VERSION IE2

K05MS MOR

Technical characteristics

- Aluminium alloy construction
- Smooth operation
- Maintenance free

Electric motor

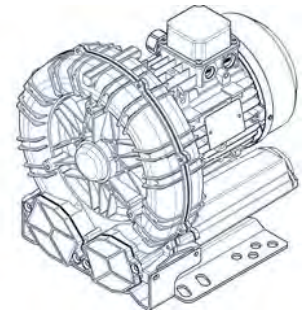
- Motors with IP55 protection rating
- Class F insulation, suitable for operating with inverter (refer to FPZ)
- Thermal Protector (PTO) as standard

Options

- Special voltages (IEC 60038)
- Surface treatments
- Increased seal version

	[V] (Δ / Y)	[Hz]
IE2	230 / 400	50
	265 / 460	60
Wide range	200 - 240 / 345 - 415	50
	220 - 280 / 380 - 480	60

Supply voltage - IE2 only at 50 Hz - Tolerance on the fixed voltage value $\pm 10\%$, in range $\pm 5\%$.



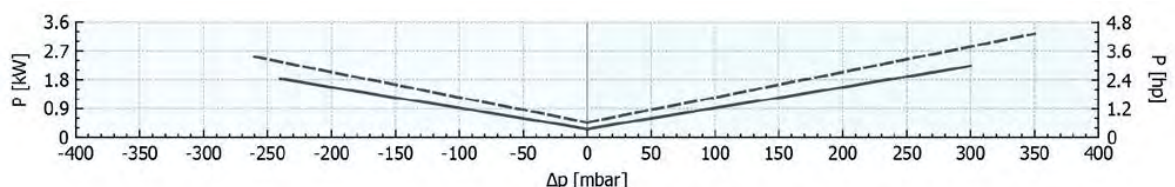
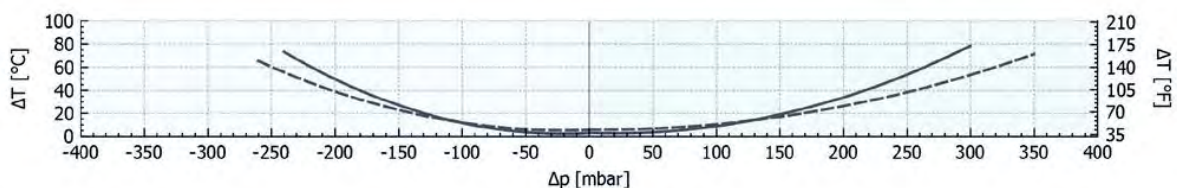
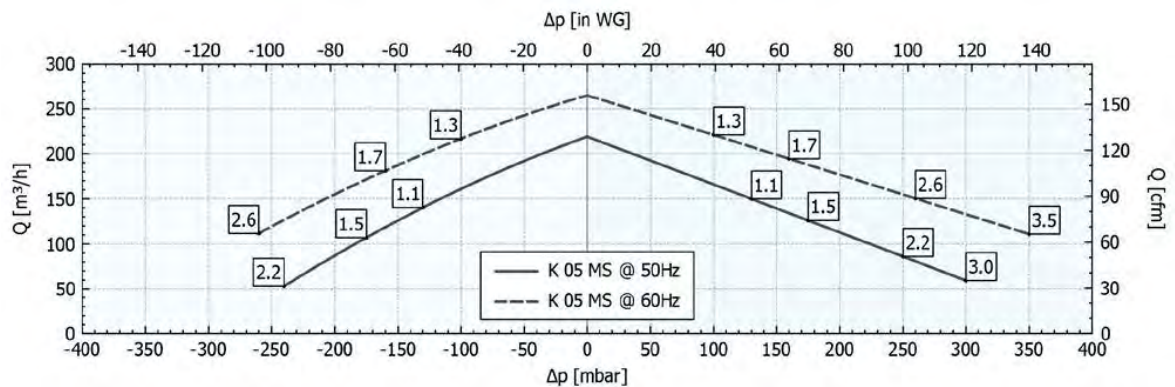
PERFORMANCE TABLE

P _n [kW]	Frequency [Hz]	Δ p _{max} [mbar]		Q _{max} [m ³ /h]	Leq ¹ [dB(A)]	Weight [kg]	H ³ [mm]	Current Consumption (Y / Δ) [A]		Cosφ [-]	Speed [rpm]
		Suction	Compression					IE2 ²	Range		
1.3	60	100	100	265	69.2	25.5	295	2.55 / 4.41	2.70-2.65 / 4.67-4.59	0.76	3530
1.5	50	175	175	219	67.2	25.5	295	3.25 / 5.62	3.47-3.30 / 6.00-5.71	0.81	2900
1.7	60	160	160	265	69.2	25.5	295	3.10 / 5.37	3.53-3.10 / 6.11-5.36	0.82	3505
2.2	50	240	250	219	67.2	27.5	320	4.58 / 7.93	4.97-4.64 / 8.60-8.04	0.82	2890
2.6	60	260	260	265	60.2	27.5	320	4.56 / 7.90	5.33-4.55 / 9.23-7.88	0.84	3485
3	50	-	300	219	67.2	34.5	365	6.27 / 10.8	6.88-6.36 / 11.9-11.0	0.82	2920
3.5	60	-	350	265	69.2	34.5	365	6.23 / 10.8	7.29-6.23 / 12.6-10.8	0.84	3530

1. Noise level measured at a distance of 1 m with ducted intake and delivery, in accordance with Standard ISO 3744.
2. IE2 only at 50Hz.
3. See figure "dimensions" at following page.

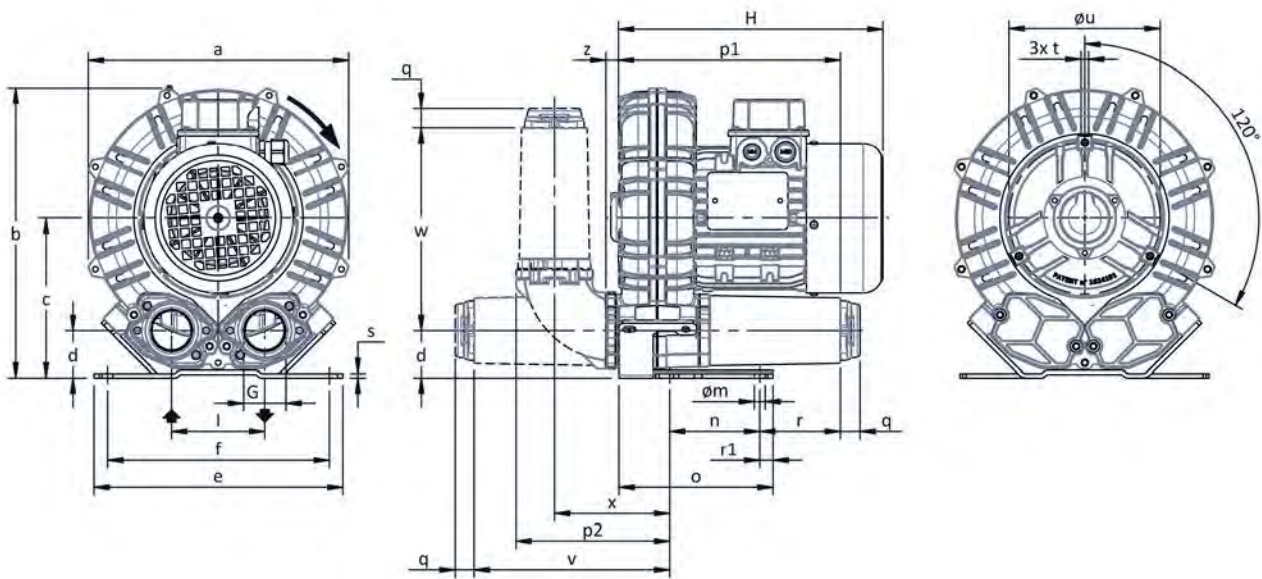
SUCTION

COMPRESSION



Tolerance on indicated values $\pm 10\%$.
 Data subject to change without notice.
 Curves referring to air at a temperature of 20 °C and atmospheric pressure of 1013 mbar (abs).

DIMENSIONS



NOT Binding
 Dimensions in mm

a	b	c	d	d1	e	f	G	l	l1	l2	m	n	o	p1	p2	q	r	r1	s	t	u	v	w	x	y	z
327	365	200	54	-	325	260	G 2"	120	-	-	15	115	265	320	230	18	98	38.5	4	M8	200	330	285	184	-	19

INSTALLATION

- For proper operation of the machine, it must be provided with a suction FILTER and a vacuum/pressure limiting VALVE.
- Other accessories are available on request.
- Permissible ambient and fluid temperature in suction from -15 °C to +40 °C.
- Read the instruction manual carefully before installing the machine.

SIDE CHANNEL BLOWER • VERSION IE2

K06MS MOR

Technical characteristics

- Aluminium alloy construction
- Smooth operation
- Maintenance free

Electric motor

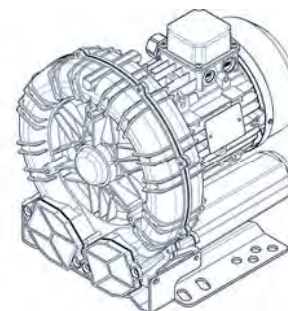
- Motors with IP55 protection rating
- Class F insulation, suitable for operating with inverter (refer to FPZ)
- Thermal Protector (PTO) as standard

Options

- Special voltages (IEC 60038)
- Surface treatments
- Increased seal version

	[V] (Δ / Y)	[Hz]
IE2	230 / 400	50
	265 / 460	60
Wide range	200 - 240 / 345 - 415	50
	220 - 280 / 380 - 480	60

Supply voltage - IE2 only at 50 Hz - Tolerance on the fixed voltage value $\pm 10\%$, in range $\pm 5\%$.



PERFORMANCE TABLE

P _n [kW]	Frequency [Hz]	Δ p _{max} [mbar]		Q _{max} [m ³ /h]	Leq ¹ [dB(A)]	Weight [kg]	H ³ [mm]	Current Consumption (Y / Δ) [A]		Cosφ [-]	Speed [rpm]
		Suction	Compression					IE2 ²	Range		
2.2	50	160	160	304	70.0	31	350	4.58 / 7.93	4.97-4.64 / 8.60-8.04	0.82	2890
2.6	60	125	125	366	72.0	31	350	4.56 / 7.90	5.33-4.55 / 9.23-7.88	0.84	3485
3	50	240	240	304	70.0	37	360	6.27 / 10.8	6.88-6.36 / 11.9-11.0	0.82	2920
3.5	60	220	220	366	72.0	37	360	6.23 / 10.8	7.29-6.23 / 12.6-10.8	0.84	3515
4	50	270	340	304	70.0	38.5	380	8.12 / 14.05	8.80-8.26 / 15.2-14.3	0.82	2910
4.8	60	275	325	366	72.0	38.5	380	8.10 / 14.03	9.37-8.10 / 16.2-14.0	0.84	3480

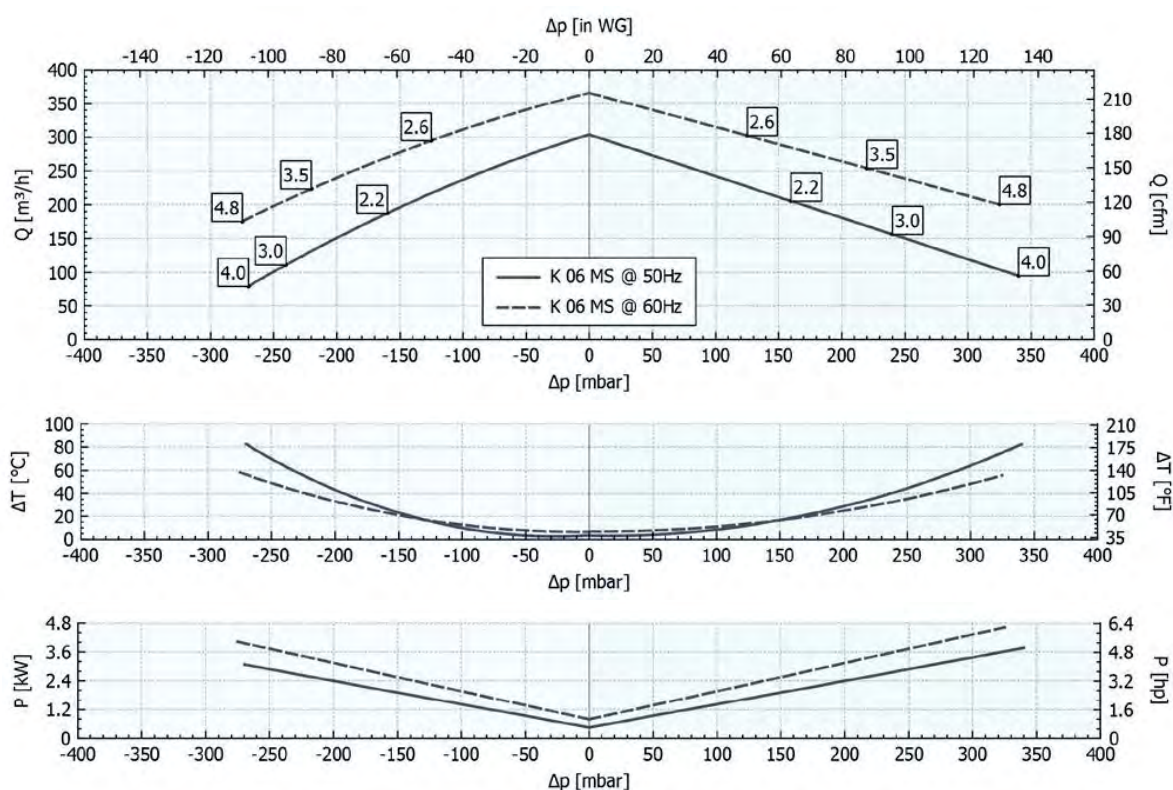
1. Noise level measured at a distance of 1 m with ducted intake and delivery, in accordance with Standard ISO 3744.

2. IE2 only at 50Hz.

3. See figure "dimensions" at following page.

SUCTION

COMPRESSION

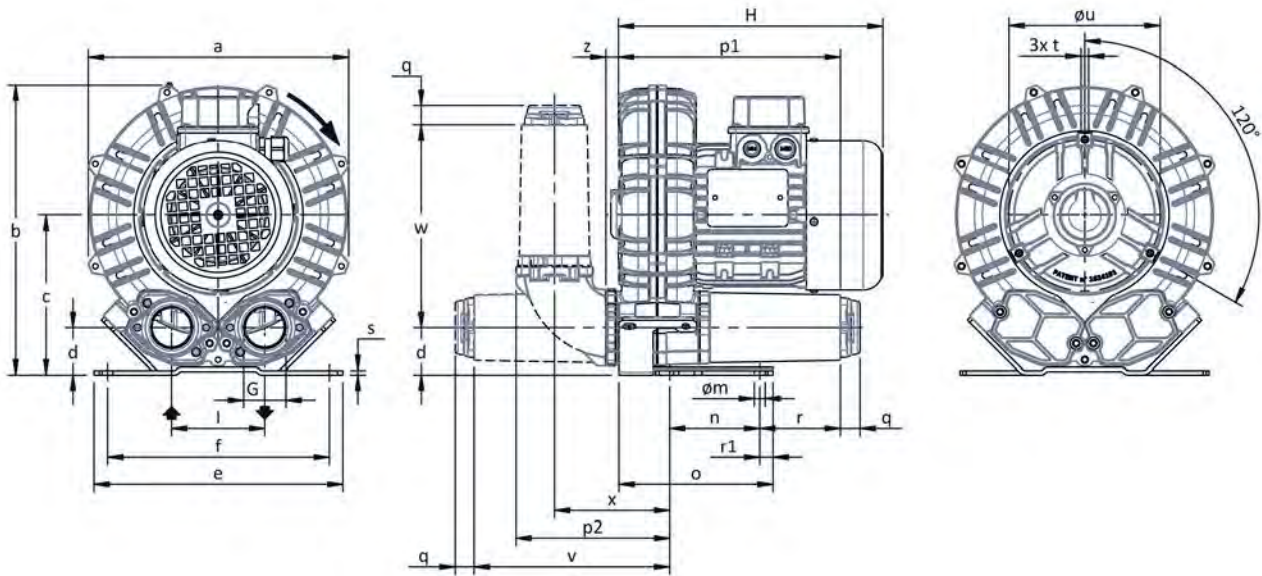


Tolerance on indicated values $\pm 10\%$.

Data subject to change without notice.

Curves referring to air at a temperature of 20 $^{\circ}C$ and atmospheric pressure of 1013 mbar (abs).

DIMENSIONS



NOT Binding
Dimensions in mm

a	b	c	d	d1	e	f	G	l	l1	l2	m	n	o	p1	p2	q	r	r1	s	t	u	v	w	x	y	z
376	393	205	54	-	325	290	G 2"	125	-	-	15	140	265	334	244	18	85	19	4	M8	240	332	285	198	-	19

INSTALLATION

- For proper operation of the machine, it must be provided with a suction FILTER and a vacuum/pressure limiting VALVE.
- Other accessories are available on request.
- Permissible ambient and fluid temperature in suction from -15 °C to +40 °C.
- Read the instruction manual carefully before installing the machine.

SIDE CHANNEL BLOWER • VERSION IE2

K07MS MOR

Technical characteristics

- Aluminium alloy construction
- Smooth operation
- Maintenance free

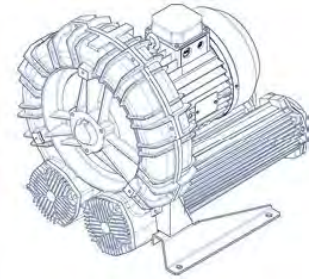
Electric motor

- Motors with IP55 protection rating
- Class F insulation, suitable for operating with inverter (refer to FPZ)
- Thermal Protector (PTO) as standard

Options

- Special voltages (IEC 60038)
- Surface treatments
- Increased seal version

	[V] (Δ / Y)		[Hz]
	≤ 4 kW	> 4 kW	
IE2	230 / 400	400 / 690	50
	265 / 460	460 / 795	60
Wide range	200-240 / 345-415	345-415 / 600-720	50
	220-280 / 380-480	380-480 / 660-830	60



Supply voltage - IE2 only at 50 Hz - Tolerance on the fixed voltage value ± 10%, in range ± 5%.

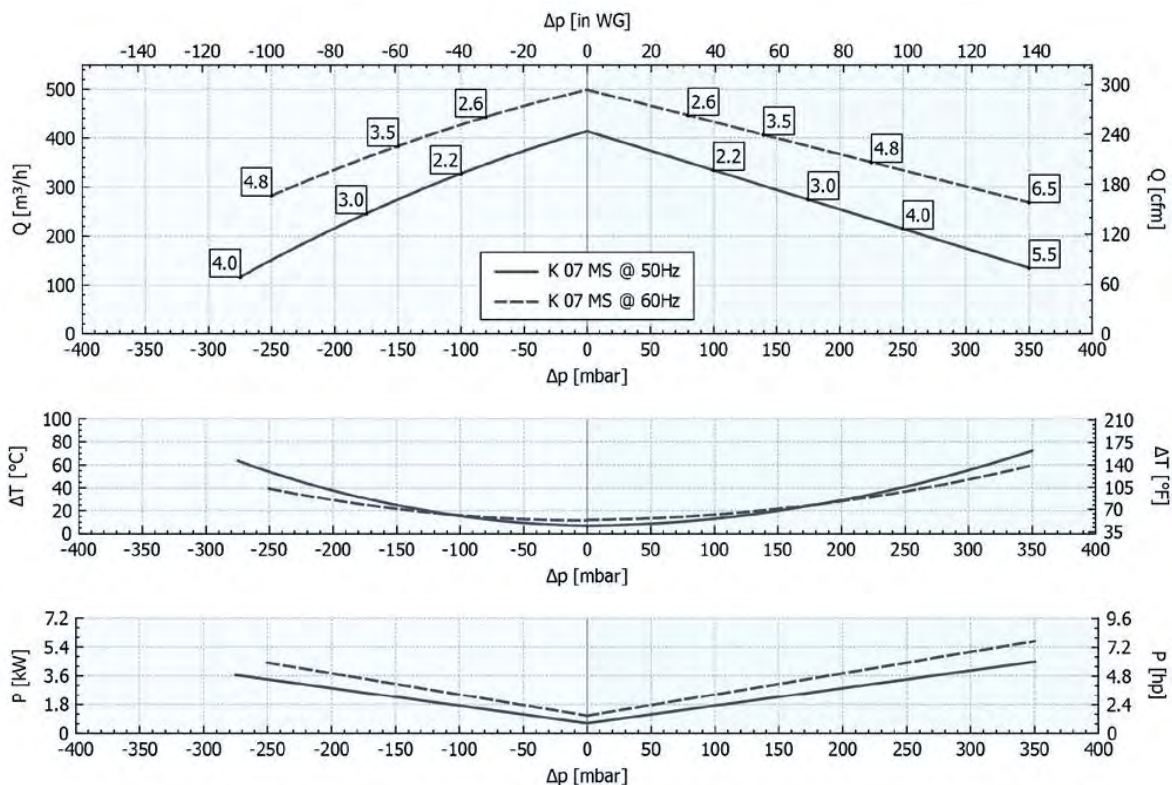
PERFORMANCE TABLE

P _n [kW]	Frequency [Hz]	Δ p _{max} [mbar]		Q _{max} [m ³ /h]	Leq ¹ [dB(A)]	Weight [kg]	H ³ [mm]	Current Consumption (Y / Δ) [A]		Cosφ [-]	Speed [rpm]
		Suction	Compression					IE2 ²	Range		
2.2	50	100	100	414	75.4	52.5	400	5.00 / 8.66	5.10-5.20 / 8.83-9.00	0.75	2945
2.6	60	80	80	499	77.4	52.5	400	4.95 / 8.57	5.40-5.00 - 9.35-8.66	0.79	3540
3	50	175	175	414	75.4	52.5	400	6.27 / 10.8	6.88-6.36 / 11.9-11.0	0.82	2920
3.5	60	150	140	499	77.4	52.5	400	6.23 / 10.8	7.29-6.23 / 12.6-10.8	0.84	3515
4	50	275	250	414	75.4	53.7	415	8.12 / 14.05	8.80-8.26 / 15.2-14.3	0.82	2910
4.8	60	250	225	499	77.4	53.7	415	8.10 / 14.03	9.37-8.10 / 16.2-14.0	0.84	3480
5.5	50	-	350	414	75.4	67.3	445	6.40 / 11.1	6.81-6.75 / 11.8-11.7	0.80	2940
6.5	60	-	350	499	77.4	67.3	445	6.38 / 11.1	7.21-6.47 / 12.5-11.2	0.84	3535

1. Noise level measured at a distance of 1 m with ducted intake and delivery, in accordance with Standard ISO 3744.
2. IE2 only at 50Hz.
3. See figure "dimensions" at following page.

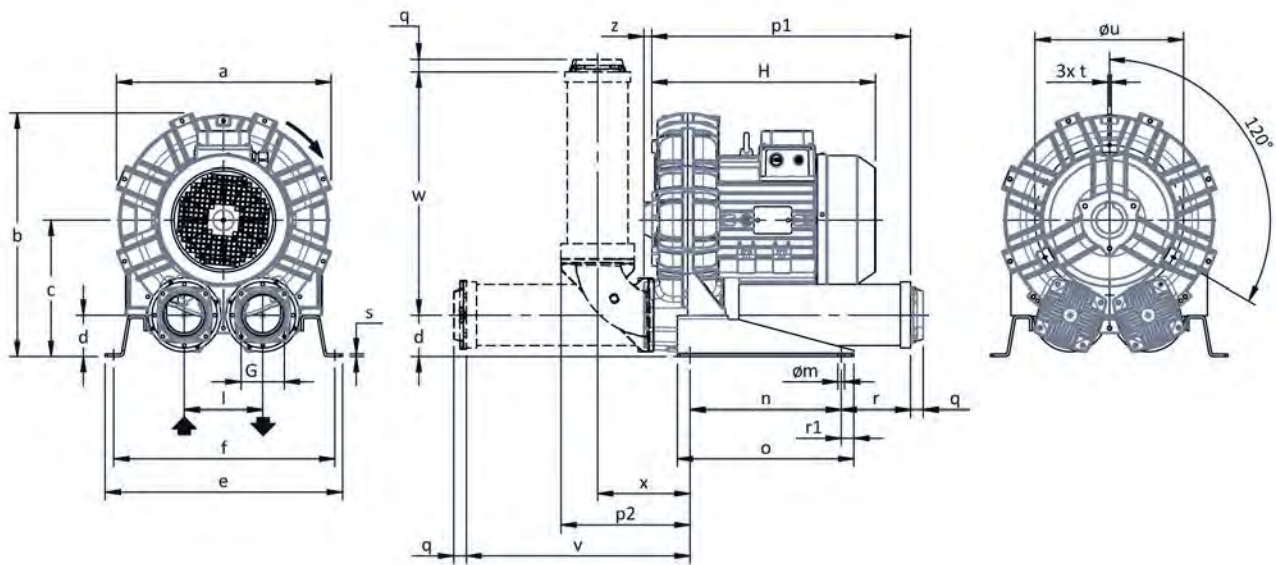
SUCTION

COMPRESSION



Tolerance on indicated values ± 10%.
 Data subject to change without notice.
 Curves referring to air at a temperature of 20 °C and atmospheric pressure of 1013 mbar (abs).

DIMENSIONS



NOT Binding
Dimensions in mm

a	b	c	d	d1	e	f	G	l	l1	l2	m	n	o	p1	p2	q	r	r1	s	t	u	v	w	x	y	z
424	481	269	82	-	470	438	G 3"	155	-	-	13	300	350	512	255	25	137	25	5	M8	295	443	481	183	-	16

INSTALLATION

- For proper operation of the machine, it must be provided with a suction FILTER and a vacuum/pressure limiting VALVE.
- Other accessories are available on request.
- Permissible ambient and fluid temperature in suction from -15 °C to +40 °C.
- Read the instruction manual carefully before installing the machine.

SIDE CHANNEL BLOWER • VERSION IE2

K75MS MOR

Technical characteristics

- Aluminium alloy construction
- Smooth operation
- Maintenance free

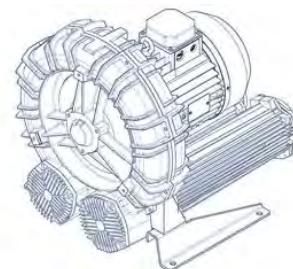
Electric motor

- Motors with IP55 protection rating
- Class F insulation, suitable for operating with inverter (refer to FPZ)
- Thermal Protector (PTO) as standard

Options

- Special voltages (IEC 60038)
- Surface treatments
- Increased seal version

~3	[V] (Δ / Y)		[Hz]
	≤ 4 kW	> 4 kW	
IE2	230 / 400	400 / 690	50
	265 / 460	460 / 795	60
Wide range	200-240 / 345-415	345-415 / 600-720	50
	220-280 / 380-480	380-480 / 660-830	60



Supply voltage - IE2 only at 50 Hz - Tolerance on the fixed voltage value ± 10%, in range ± 5%.

PERFORMANCE TABLE

P _n [kW]	Frequency [Hz]	Δ p _{max} [mbar]		Q _{max} [m ³ /h]	Leq ¹ [dB(A)]	Weight [kg]	H ³ [mm]	Current Consumption (Y / Δ) [A]		Cosφ [-]	Speed [rpm]
		Suction	Compression					IE2 ²	Range		
4	50	150	150	477	76.4	52.5	415	8.12 / 14.05	8.80-8.26 / 15.2-14.3	0.82	2910
4.8	60	150	150	576	78.4	52.5	415	8.10 / 14.03	9.37-8.10 / 16.2-14.0	0.84	3480
5.5	50	250	250	477	76.4	66	445	6.40 / 11.1	6.81-6.75 / 11.8-11.7	0.8	2940
6.5	60	200	200	576	78.4	66	445	6.38 / 11.1	7.21-6.47 / 12.5-11.5	0.84	3535
7.5	50	-	325	477	76.4	71	445	9.06 / 15.7	9.18-9.47 / 15.9-16.4	0.78	2940
9	60	-	300	576	78.4	71	445	8.86 / 15.34	9.87-9.00 / 17.1-15.6	0.83	3530

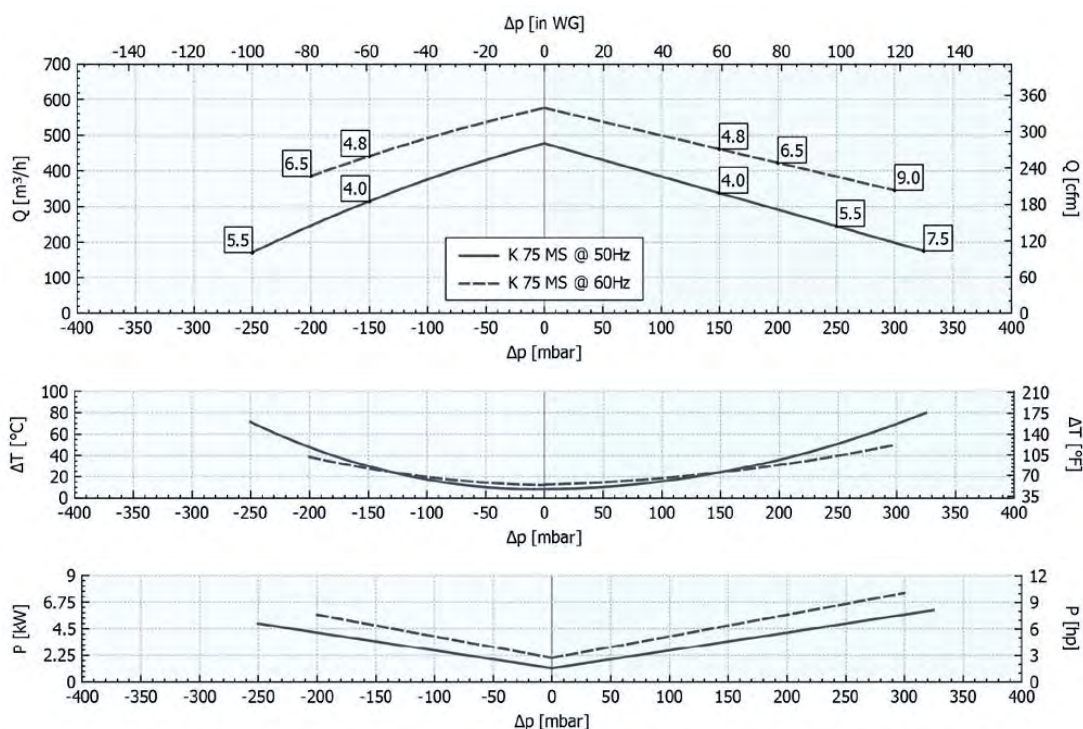
1. Noise level measured at a distance of 1 m with ducted intake and delivery, in accordance with Standard ISO 3744.

2. IE2 only at 50Hz.

3. See figure "dimensions" at following page.

SUCTION

COMPRESSION

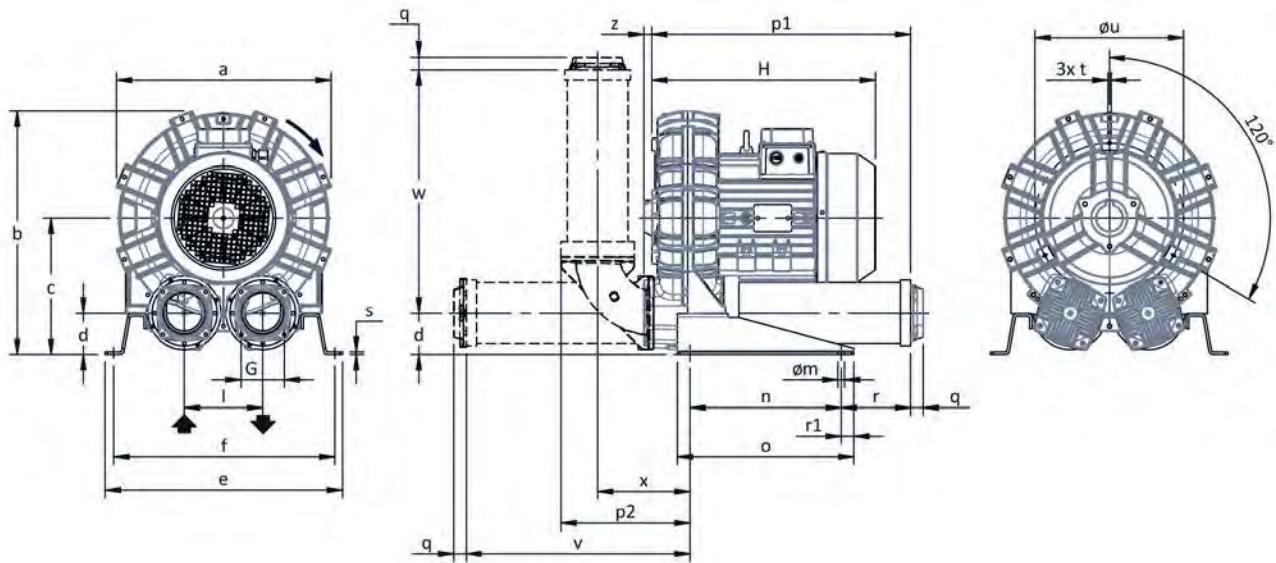


Tolerance on indicated values ± 10%.

Data subject to change without notice.

Curves referring to air at a temperature of 20 °C and atmospheric pressure of 1013 mbar (abs).

DIMENSIONS



NOT Binding
Dimensions in mm

a	b	c	d	d1	e	f	G	l	l1	l2	m	n	o	p1	p2	q	r	r1	s	t	u	v	w	x	y	z
424	481	269	82	-	470	438	G 3"	155	-	-	13	300	350	512	255	25	137	25	5	M8	295	443	481	183	-	16

INSTALLATION

- For proper operation of the machine, it must be provided with a suction FILTER and a vacuum/pressure limiting VALVE.
- Other accessories are available on request.
- Permissible ambient and fluid temperature in suction from -15 °C to +40 °C.
- Read the instruction manual carefully before installing the machine.

SIDE CHANNEL BLOWER • VERSION IE2

K08MS MOR

Technical characteristics

- Aluminium alloy construction
- Smooth operation
- Maintenance free

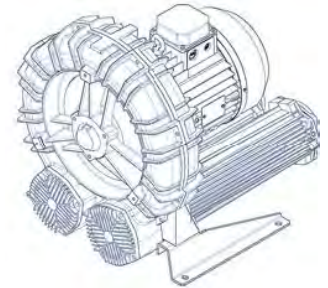
Electric motor

- Motors with IP55 protection rating
- Class F insulation, suitable for operating with inverter (refer to FPZ)
- Thermal Protector (PTO) as standard

Options

- Special voltages (IEC 60038)
- Surface treatments
- Increased seal version

	[V] (Δ / Y)		[Hz]
	≤ 4 kW	> 4 kW	
IE2	230 / 400	400 / 690	50
	265 / 460	460 / 795	60
Wide range	200-240 / 345-415	345-415 / 600-720	50
	220-280 / 380-480	380-480 / 660-830	60



Supply voltage - IE2 only at 50 Hz - Tolerance on the fixed voltage value ± 10%, in range ± 5%.

PERFORMANCE TABLE

P _n [kW]	Frequency [Hz]	Δ p _{max} [mbar]		Q _{max} [m ³ /h]	Leq ¹ [dB(A)]	Weight [kg]	H ³ [mm]	Current Consumption (Y / Δ) [A]		Cosφ [-]	Speed [rpm]
		Suction	Compression					IE2 ²	Range		
3.5	60	75	75	647	78.5	55.3	400	6.23 / 10.8	7.29-6.23 / 12.6-10.8	0.84	3515
4	50	180	180	536	76.5	56.5	415	8.12 / 14.05	8.80-8.26 / 15.2-14.3	0.82	2910
4.8	60	150	150	647	78.5	56.5	415	8.10 / 14.03	9.37-8.10 / 16.2-14.0	0.84	3480
5.5	50	250	250	536	76.5	70	445	6.40 / 11.1	6.81-6.75 / 11.8-11.7	0.8	2940
6.5	60	200	200	647	78.5	70	445	6.38 / 11.1	7.21-6.47 / 12.5-11.2	0.84	3535
7.5	50	300	350	536	76.5	75	445	9.06 / 15.7	9.18-9.47 / 15.9-16.4	0.78	2940
9	60	325	300	647	78.5	75	445	8.86 / 15.34	9.87-9.00 / 17.1-15.6	0.83	3530
9.2	50	-	425	536	76.5	80	485	10.3 / 17.8	11.1-10.6 / 19.2-18.3	0.83	2940
11	60	-	425	647	78.5	80	485	10.3 / 17.9	11.9-10.3 / 20.6-17.9	0.86	3530

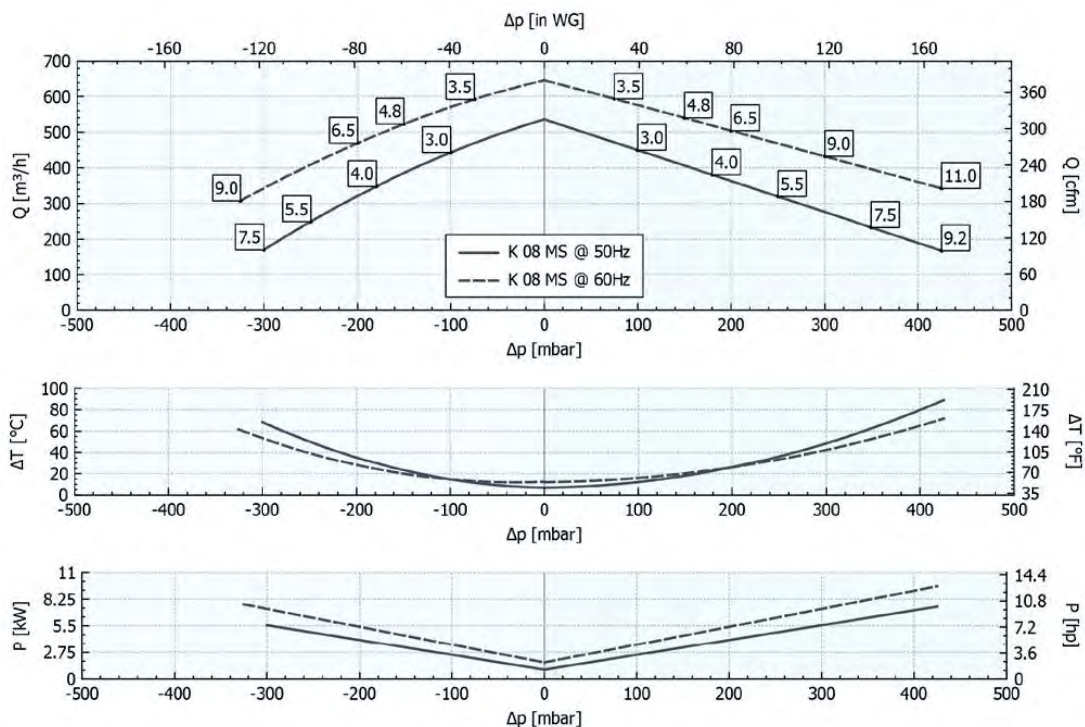
1. Noise level measured at a distance of 1 m with ducted intake and delivery, in accordance with Standard ISO 3744.

2. IE2 only at 50Hz.

3. See figure "dimensions" at following page.

SUCTION

COMPRESSION

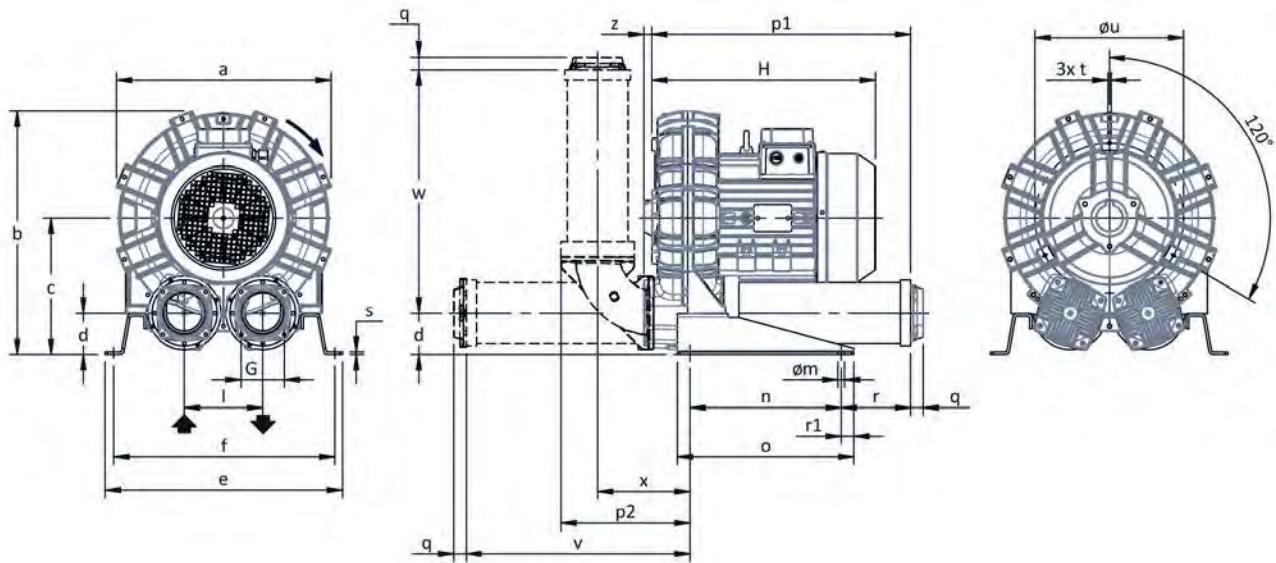


Tolerance on indicated values ± 10%.

Data subject to change without notice.

Curves referring to air at a temperature of 20 °C and atmospheric pressure of 1013 mbar (abs).

DIMENSIONS



NOT Binding
Dimensions in mm

a	b	c	d	d1	e	f	G	l	l1	l2	m	n	o	p1	p2	q	r	r1	s	t	u	v	w	x	y	z
457	498	269	82	-	480	448	G 3"	155	-	-	13	300	350	512	255	25	137	25	5	M8	310	443	481	183	-	16

INSTALLATION

- For proper operation of the machine, it must be provided with a suction FILTER and a vacuum/pressure limiting VALVE.
- Other accessories are available on request.
- Permissible ambient and fluid temperature in suction from -15 °C to +40 °C.
- Read the instruction manual carefully before installing the machine.

SIDE CHANNEL BLOWER • VERSION IE2

K09MS MOR

Technical characteristics

- Aluminium alloy construction
- Smooth operation
- Maintenance free

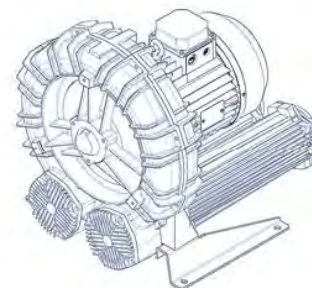
Electric motor

- Motors with IP55 protection rating
- Class F insulation, suitable for operating with inverter (refer to FPZ)
- Thermal Protector (PTO) as standard

Options

- Special voltages (IEC 60038)
- Surface treatments
- Increased seal version

	[V] (Δ / Y)		[Hz]
	≤ 4 kW	> 4 kW	
IE2	230 / 400	400 / 690	50
	265 / 460	460 / 795	60
Wide range	200-240 / 345-415	345-415 / 600-720	50
	220-280 / 380-480	380-480 / 660-830	60



Supply voltage - IE2 only at 50 Hz - Tolerance on the fixed voltage value ± 10%, in range ± 5%.

PERFORMANCE TABLE

P _n [kW]	Frequency [Hz]	Δ p _{max} [mbar]		Q _{max} [m ³ /h]	Leq ¹ [dB(A)]	Weight [kg]	H ³ [mm]	Current Consumption (Y / Δ) [A]		Cosφ [-]	Speed [rpm]
		Suction	Compression					IE2 ²	Range		
4.8	60	85	85	800	79.1	65.5	425	8.10 / 14.03	9.37-8.10 / 16.2-14.0	0.84	3480
5.5	50	210	210	663	77.1	79	455	6.40 / 11.1	6.81-6.75 / 11.8-11.7	0.8	2940
6.5	60	175	150	800	79.1	79	455	6.38 / 11.1	7.21-6.47 / 12.5-11.2	0.84	3535
7.5	50	290	290	663	77.1	84	455	9.06 / 15.7	9.18-9.47 / 15.9-16.4	0.78	2940
9	60	250	250	800	79.1	84	455	8.86 / 15.34	9.87-9.00 / 17.1-15.6	0.83	3530
9.2	50	-	350	663	77.1	89	495	10.3 / 17.8	11.1-10.6 / 19.2-18.3	0.83	2940
11	60	-	325	800	79.1	89	495	10.3 / 17.9	11.9-10.3 / 20.6-17.9	0.86	3530
11	50	-	425	663	77.1	95.5	495	12.53 / 21.7	13.0-12.9 / 22.6-22.3	0.81	2940
13	60	-	400	800	79.1	95.5	495	12.2 / 21.2	13.8-12.4 / 23.9-21.4	0.84	3530

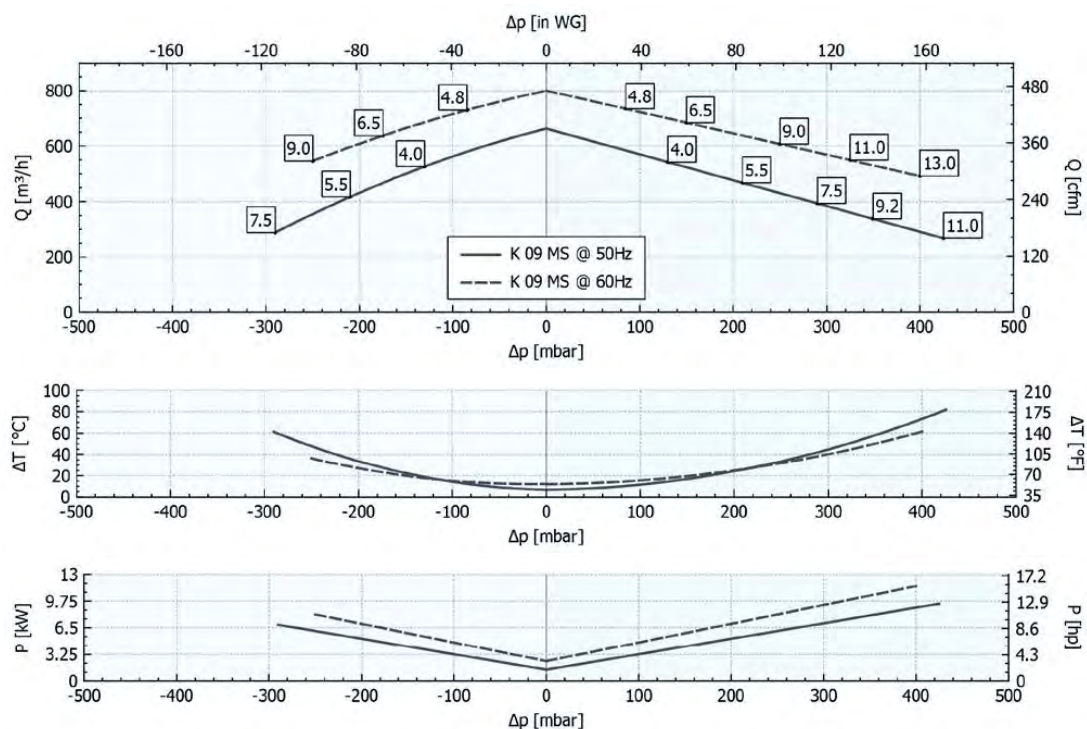
1. Noise level measured at a distance of 1 m with ducted intake and delivery, in accordance with Standard ISO 3744.

2. IE2 only at 50Hz.

3. See figure "dimensions" at following page.

SUCTION

COMPRESSION

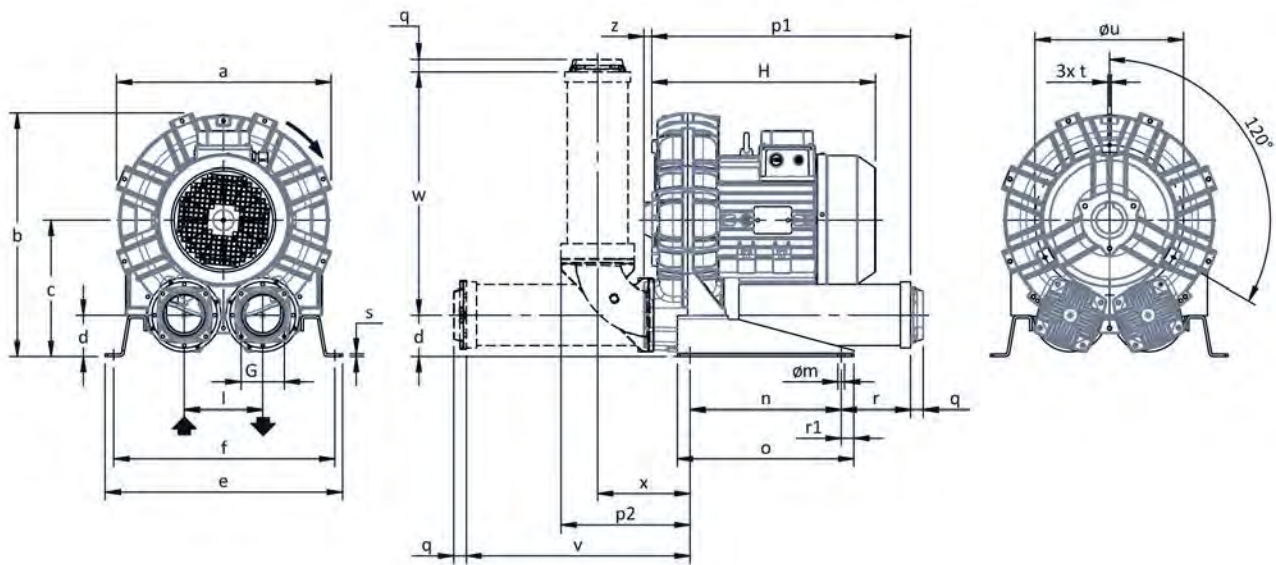


Tolerance on indicated values ± 10%.

Data subject to change without notice.

Curves referring to air at a temperature of 20 °C and atmospheric pressure of 1013 mbar (abs).

DIMENSIONS



NOT Binding
Dimensions in mm

a	b	c	d	d1	e	f	G	l	l1	l2	m	n	o	p1	p2	q	r	r1	s	t	u	v	w	x	y	z
492	561	315	96	-	510	478	G 4"	182	-	-	13	300	350	586	300	25	199	25	5	M8	360	505	556	215	-	16

INSTALLATION

- For proper operation of the machine, it must be provided with a suction FILTER and a vacuum/pressure limiting VALVE.
- Other accessories are available on request.
- Permissible ambient and fluid temperature in suction from -15 °C to +40 °C.
- Read the instruction manual carefully before installing the machine.

SIDE CHANNEL BLOWER • VERSION IE2

K10MS MOR

Technical characteristics

- Aluminium alloy construction
- Smooth operation
- Maintenance free

Electric motor

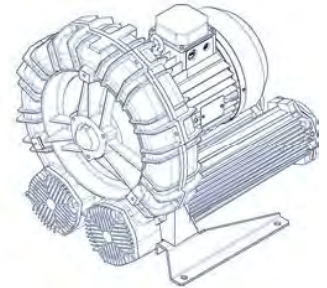
- Motors with IP55 protection rating
- Class F insulation, suitable for operating with inverter (refer to FPZ)
- Thermal Protector (PTO) as standard

Options

- Special voltages (IEC 60038)
- Surface treatments
- Increased seal version

~3	[V] (Δ / Y)	[Hz]
IE2	400 / 690	50
	460 / 795	60
Wide range	345 - 415 / 600 - 720	50
	380 - 480 / 660 - 830	60

Supply voltage - IE2 only at 50 Hz - Tolerance on the fixed voltage value $\pm 10\%$, in range $\pm 5\%$.



PERFORMANCE TABLE

P _n [kW]	Frequency [Hz]	Δ p _{max} [mbar]		Q _{max} [m ³ /h]	Leq ¹ [dB(A)]	Weight [kg]	H ³ [mm]	Current Consumption (Y / Δ) [A]		Cosφ [-]	Speed [rpm]
		Suction	Compression					IE2 ²	Range		
6.5	60	115	100	944	79.4	80.5	455	6.38 / 11.1	7.21-6.47 / 12.5-11.2	0.84	3535
7.5	50	225	225	782	77.4	85.5	455	9.06 / 15.7	9.18-9.47 / 15.9-16.4	0.78	2940
9	60	200	200	944	79.4	85.5	455	8.86 / 15.34	9.87-9.00 / 17.1-15.6	0.83	3530
9.2	50	300	300	782	77.4	90.5	495	10.3 / 17.8	11.1-10.6 / 19.2-18.3	0.83	2940
11	60	275	270	944	79.4	90.5	495	10.3 / 17.9	11.9-10.3 / 20.6-17.9	0.86	3530
11	50	-	350	782	77.4	97	495	12.53 / 21.7	13.0-12.9 / 22.6-22.3	0.81	2940
13	60	325	325	944	79.4	97	495	12.2 / 21.2	13.8-12.4 / 23.9-21.4	0.84	3530
15	50	-	425	782	77.4	114	570	16.46 / 28.51	17.8-16.6 / 30.8-28.68	0.84	2940
17	60	-	450	944	79.4	114	570	15.7 / 27.2	18.1-15.6 / 31.3-27.1	0.86	3540

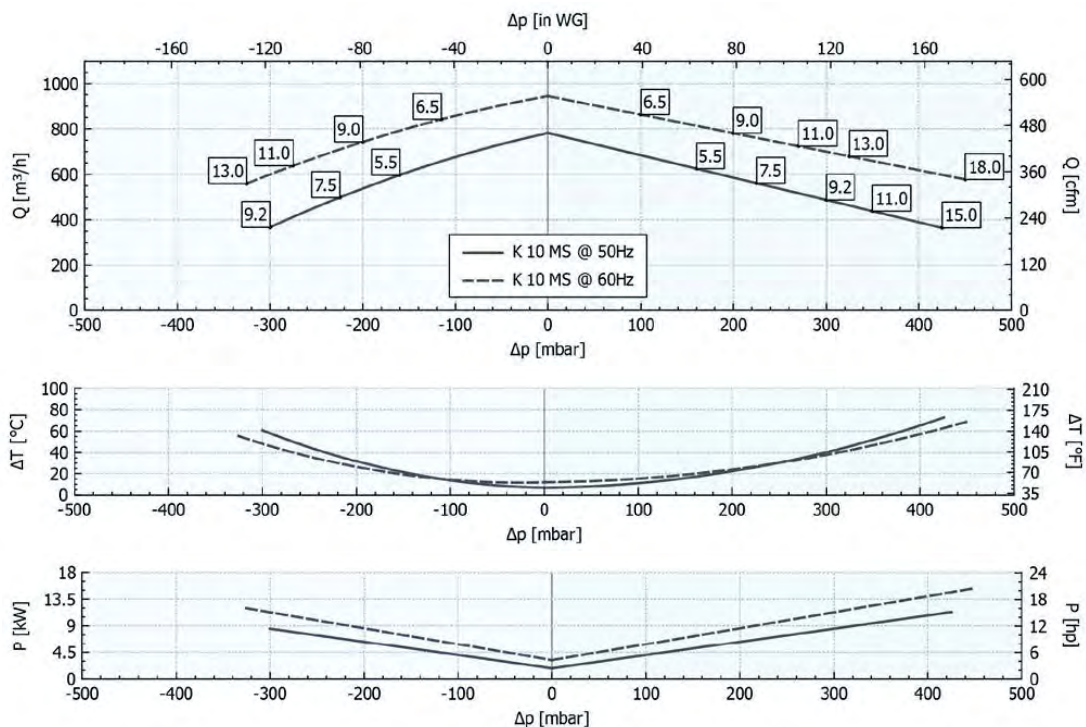
1. Noise level measured at a distance of 1 m with ducted intake and delivery, in accordance with Standard ISO 3744.

2. IE2 only at 50Hz.

3. See figure "dimensions" at following page.

SUCTION

COMPRESSION

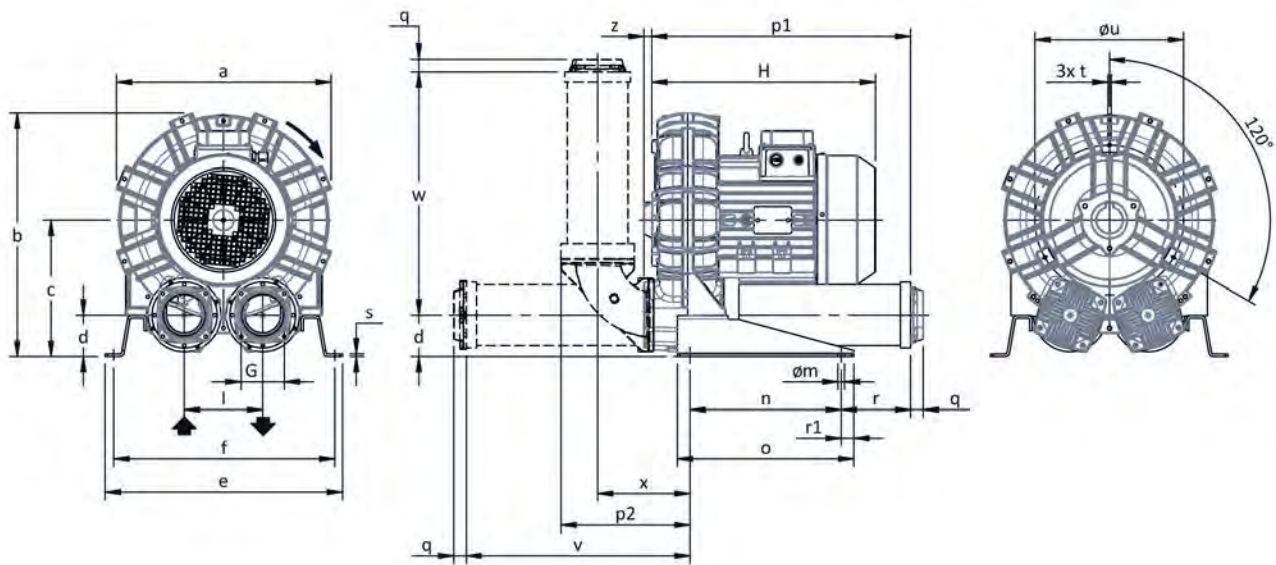


Tolerance on indicated values $\pm 10\%$.

Data subject to change without notice.

Curves referring to air at a temperature of 20 °C and atmospheric pressure of 1013 mbar (abs).

DIMENSIONS



NOT Binding
Dimensions in mm

a	b	c	d	d1	e	f	G	l	l1	l2	m	n	o	p1	p2	q	r	r1	s	t	u	v	w	x	y	z
516	573	315	96	-	510	478	G 4"	182	-	-	13	300	350	586	300	25	199	25	5	M8	360	505	556	215	-	16

INSTALLATION

- For proper operation of the machine, it must be provided with a suction FILTER and a vacuum/pressure limiting VALVE.
- Other accessories are available on request.
- Permissible ambient and fluid temperature in suction from -15 °C to +40 °C.
- Read the instruction manual carefully before installing the machine.

SIDE CHANNEL BLOWER • VERSION IE2

K11MS MOR

Technical characteristics

- Aluminium alloy construction
- Smooth operation
- Maintenance free

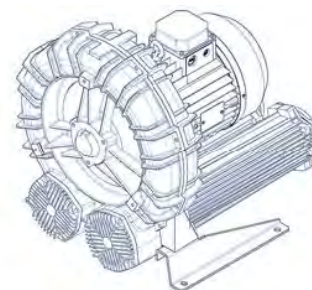
Electric motor

- Motors with IP55 protection rating
- Class F insulation, suitable for operating with inverter (refer to FPZ)
- Thermal Protector (PTO) as standard

Options

- Special voltages (IEC 60038)
- Surface treatments
- Increased seal version

~3	[V] (Δ / Y)	[Hz]
IE2	400 / 690	50
	460 / 795	60
Wide range	345 - 415 / 600 - 720	50
	380 - 480 / 660 - 830	60



Supply voltage - IE2 only at 50 Hz - Tolerance on the fixed voltage value $\pm 10\%$, in range $\pm 5\%$.

PERFORMANCE TABLE

P _n [kW]	Frequency [Hz]	Δ p _{max} [mbar]		Q _{max} [m³/h]	Leq ¹ [dB(A)]	Weight [kg]	H ³ [mm]	Current Consumption (Y / Δ) [A]		Cosφ [-]	Speed [rpm]
		Suction	Compression					IE2 ²	Range		
9	60	150	130	1105	82.0	90.5	460	8.86 / 15.34	9.87-9.00 / 17.1-15.6	0.83	3530
9.2	50	250	230	915	80.0	95.5	500	10.3 / 17.8	11.1-10.6 / 19.2-18.3	0.83	2940
11	60	200	175	1105	82.0	95.5	500	10.3 / 17.9	11.9-10.3 / 20.6-17.9	0.86	3530
11	50	300	300	915	80.0	102	500	12.53 / 21.7	13.0-12.9 / 22.6-22.3	0.81	2940
13	60	275	250	1105	82.0	102	500	12.2 / 21.2	13.8-12.4 / 23.9-21.4	0.84	3530
15	50	350	400	915	80.0	119	575	16.46 / 28.51	17.8-16.6 / 30.8-28.8	0.84	2940
18	60	325	350	1105	82.0	119	575	15.7 / 27.2	18.1-15.6 / 31.3-27.1	0.86	3540
18.5	50	-	450	915	80.0	138.5	635	20.7 / 35.9	21.7-21.7 / 37.6-37.5	0.81	2950
22	60	-	450	1105	82.0	138.5	635	20.4 / 35.4	23.3-20.7 / 40.3-35.9	0.85	3550

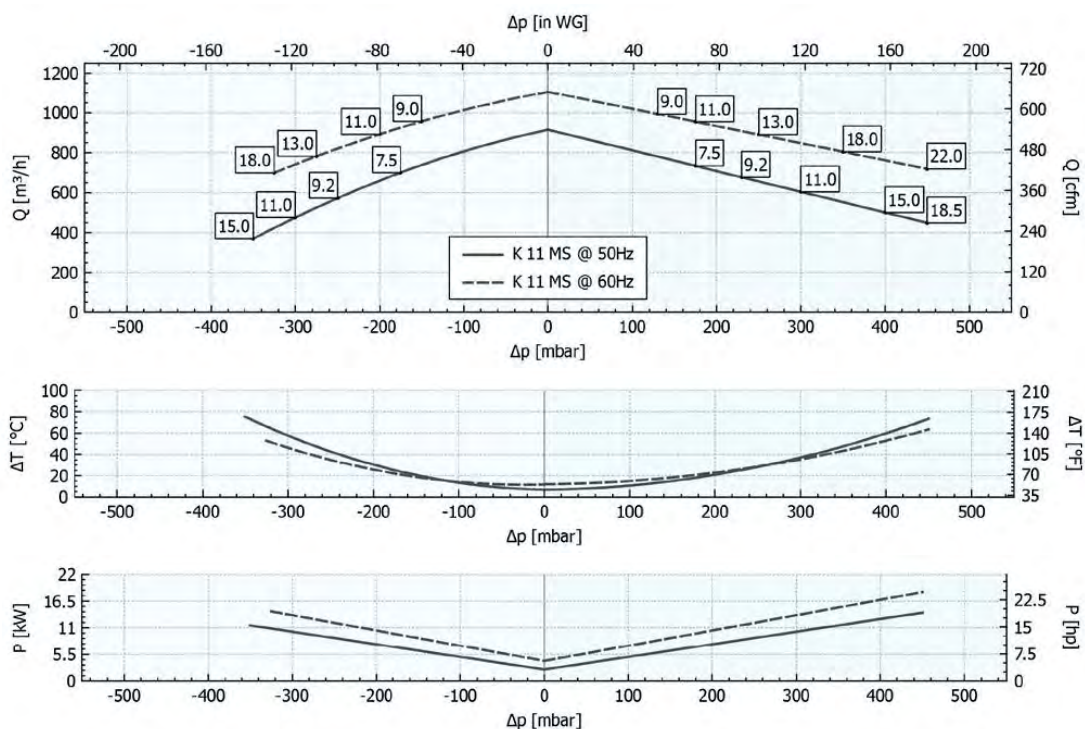
1. Noise level measured at a distance of 1 m with ducted intake and delivery, in accordance with Standard ISO 3744.

2. IE2 only at 50Hz.

3. See figure "dimensions" at following page.

SUCTION

COMPRESSION

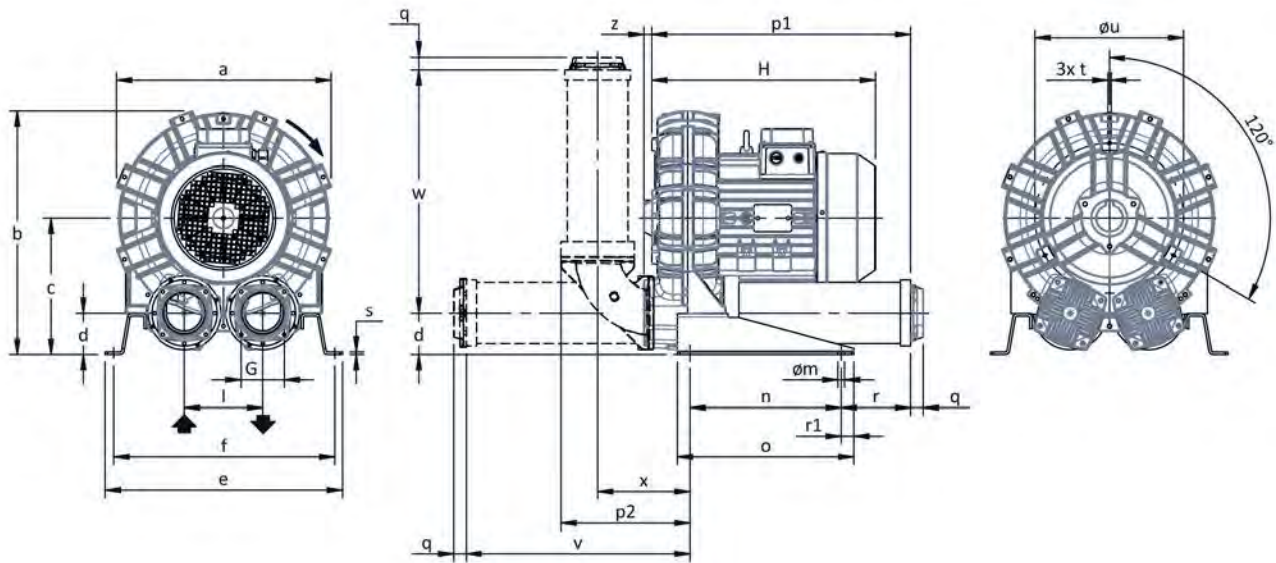


Tolerance on indicated values $\pm 10\%$.

Data subject to change without notice.

Curves referring to air at a temperature of 20 °C and atmospheric pressure of 1013 mbar (abs).

DIMENSIONS



NOT Binding
Dimensions in mm

a	b	c	d	d1	e	f	G	l	l1	l2	m	n	o	p1	p2	q	r	r1	s	t	u	v	w	x	y	z
542	603	332	91	-	540	508	G 4"	200	-	-	13	300	350	596	305	25	204	25	5	M8	390	510	556	220	-	16

INSTALLATION

- For proper operation of the machine, it must be provided with a suction FILTER and a vacuum/pressure limiting VALVE.
- Other accessories are available on request.
- Permissible ambient and fluid temperature in suction from -15 °C to +40 °C.
- Read the instruction manual carefully before installing the machine.

SIDE CHANNEL BLOWER • VERSION IE2

K12MS MOR

Technical characteristics

- Aluminium alloy construction
- Smooth operation
- Maintenance free

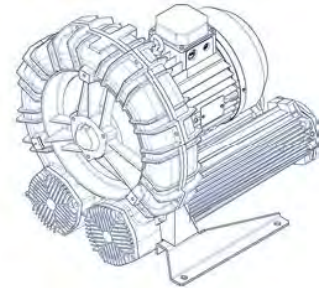
Electric motor

- Motors with IP55 protection rating
- Class F insulation, suitable for operating with inverter (refer to FPZ)
- Thermal Protector (PTO) as standard

Options

- Special voltages (IEC 60038)
- Surface treatments
- Increased seal version

~3	[V] (Δ / Y)	[Hz]
IE2	400 / 690	50
	460 / 795	60
Wide range	345 - 415 / 600 - 720	50
	380 - 480 / 660 - 830	60



Supply voltage - IE2 only at 50 Hz - Tolerance on the fixed voltage value $\pm 10\%$, in range $\pm 5\%$.

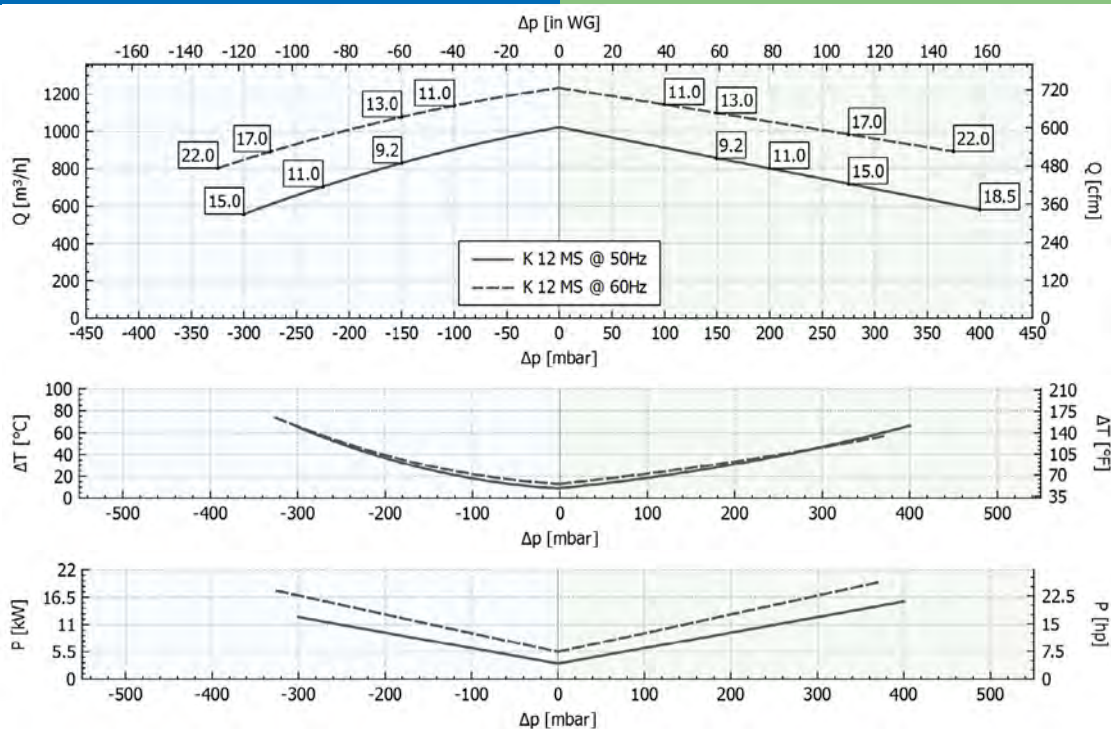
PERFORMANCE TABLE

P _n [kW]	Frequency [Hz]	Δ p _{max} [mbar]		Q _{max} [m³/h]	Leq ¹ [dB(A)]	Weight [kg]	H ³ [mm]	Current Consumption (Y / Δ) [A]		Cosφ [-]	Speed [rpm]
		Suction	Compression					IE2 ²	Range		
11	60	100	100	1234	83.0	97	505	10.3 / 17.9	11.9-10.3 / 20.6-17.9	0.86	3530
11	50	225	200	1022	81.0	103.5	505	12.53 / 21.7	13.0-12.9 / 22.6-22.3	0.81	2940
13	60	150	150	1234	83.0	103.5	505	12.2 / 21.2	13.8-12.4 / 23.9-21.4	0.84	3530
15	50	300	275	1022	81.0	120.5	580	16.46 / 28.51	17.8-16.6 / 30.8-28.8	0.84	2940
17	60	275	275	1234	83.0	120.5	580	15.7 / 27.2	18.1-15.6 / 31.3-27.1	0.86	3540
18.5	50	-	400	1022	81.0	140	640	20.7 / 35.9	21.7-21.7 / 37.6-37.5	0.81	2950
22	60	325	375	1234	83.0	140	640	20.4 / 35.4	23.3-20.7 / 40.3-35.9	0.85	3550

1. Noise level measured at a distance of 1 m with ducted intake and delivery, in accordance with Standard ISO 3744.
2. IE2 only at 50Hz.
3. See figure "dimensions" at following page.

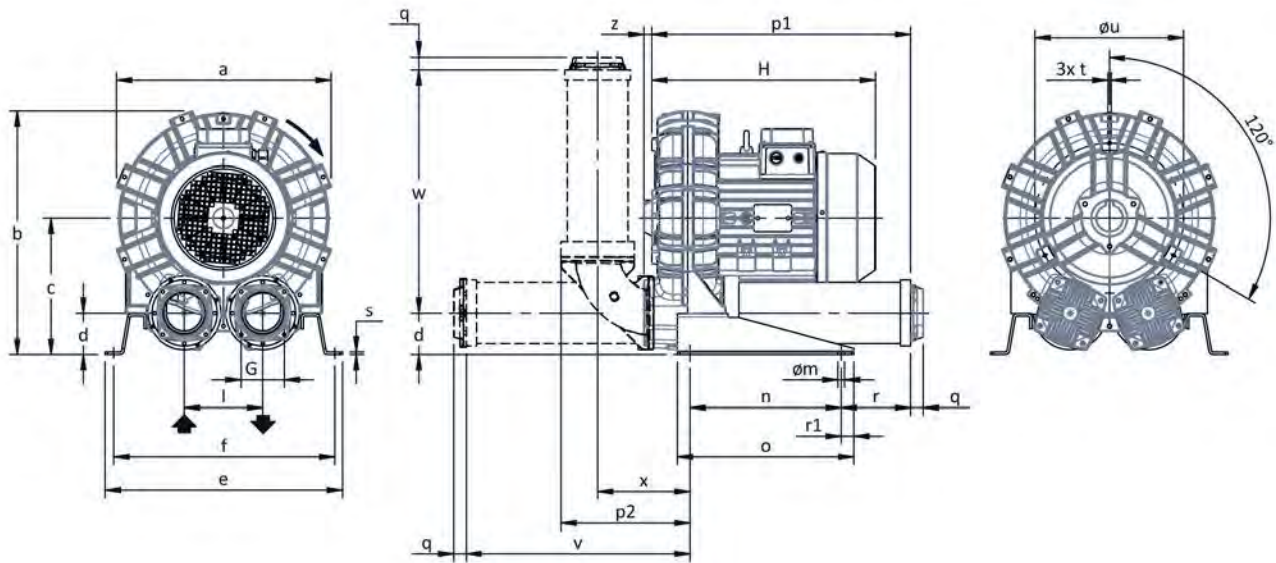
SUCTION

COMPRESSION



Tolerance on indicated values $\pm 10\%$.
 Data subject to change without notice.
 Curves referring to air at a temperature of 20 °C and atmospheric pressure of 1013 mbar (abs).

DIMENSIONS



NOT Binding
Dimensions in mm

a	b	c	d	d1	e	f	G	l	l1	l2	m	n	o	p1	p2	q	r	r1	s	t	u	v	w	x	y	z
548	606	332	91	-	540	508	G 4"	200	-	-	13	300	350	599	605	25	204	25	5	M8	390	510	556	550	-	13

INSTALLATION

- For proper operation of the machine, it must be provided with a suction FILTER and a vacuum/pressure limiting VALVE.
- Other accessories are available on request.
- Permissible ambient and fluid temperature in suction from -15 °C to +40 °C.
- Read the instruction manual carefully before installing the machine.

SIDE CHANNEL BLOWER

10DL/15DH-MD MOR

Technical characteristics

- Aluminium alloy construction
- High efficiency impeller

Options

- Special voltages (IEC 60038)
- Surface treatments
- Increased seal version



PRESSURE

Model	N 2900 rpm [kW]	N 3500 rpm [kW]	Q _{max} 2900 rpm [m ³ /h]	Q _{max} 3500 rpm [m ³ /h]	ΔP max 2900 rpm [hPa] (mbar)	ΔP max 3500 rpm [hPa] (mbar)	Leq ¹ 2900 rpm (Lp) [db(A)]	Leq ¹ 3500 rpm (Lp) [db(A)]	Weight ² max [kg]
10DL-MD	0,37	0,43	30	35	200	175	62	64	10
15DH-MD	0,55	0,63	50	58	300	275	62	64	12,5

VACUUM

Model	N 2900 rpm [kW]	N 3500 rpm [kW]	Q _{max} 2900 rpm [m ³ /h]	Q _{max} 3500 rpm [m ³ /h]	ΔP max 2900 rpm [hPa] (mbar)	ΔP max 3500 rpm [hPa] (mbar)	Leq ¹ 2900 rpm (Lp) [db(A)]	Leq ¹ 3500 rpm (Lp) [db(A)]	Weight ² max [kg]
10DL-MD	0,37	0,43	30	35	150	175	62	64	10
15DH-MD	0,55	0,63	50	58	275	275	62	64	12,5

¹ Noise measured at 1m distance with inlet and outlet ports piped, in accordance to ISO 3744.

² Value refers to the weight of the machine with 3 Phase motor if MOR range, without motor if GOR or GVR range.

INSTALLATION

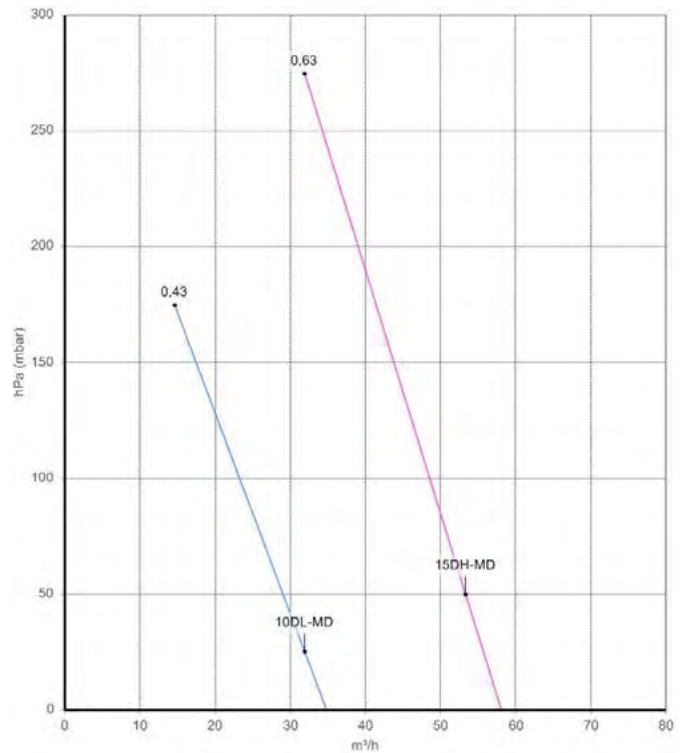
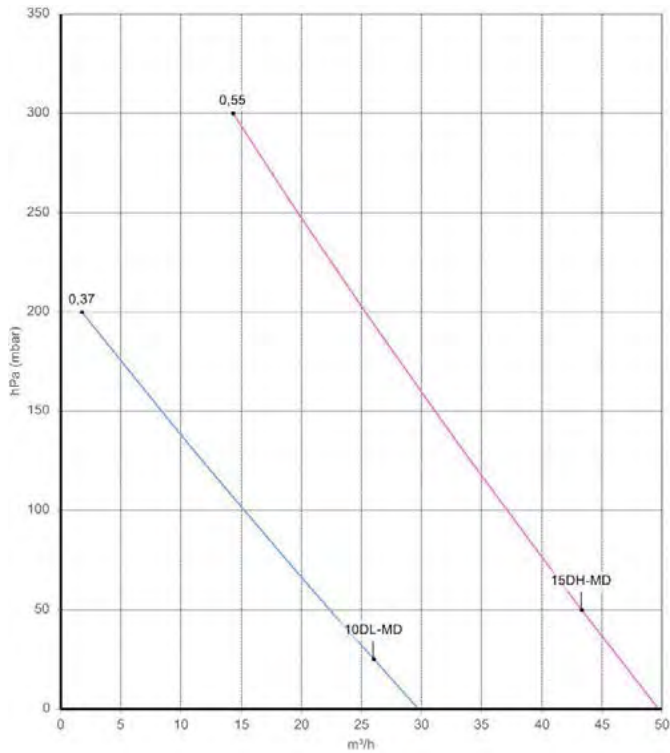
- For proper operation of the machine, it must be provided with a suction FILTER and a vacuum/pressure limiting VALVE.
- Other accessories are available on request.
- Permissible ambient and fluid temperature in suction from -15 °C to +40 °C.
- Read the instruction manual carefully before installing the machine.

PRESSURE

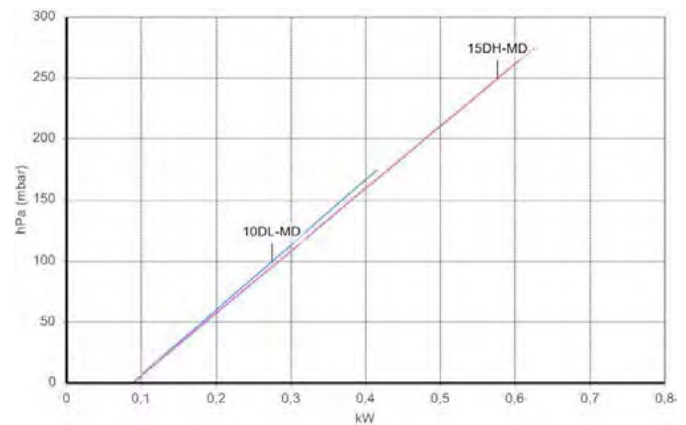
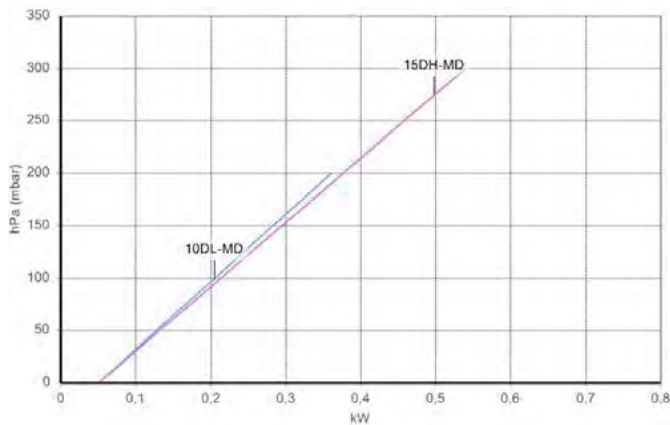
2900 rpm (50 Hz)

3500 rpm (60 Hz)

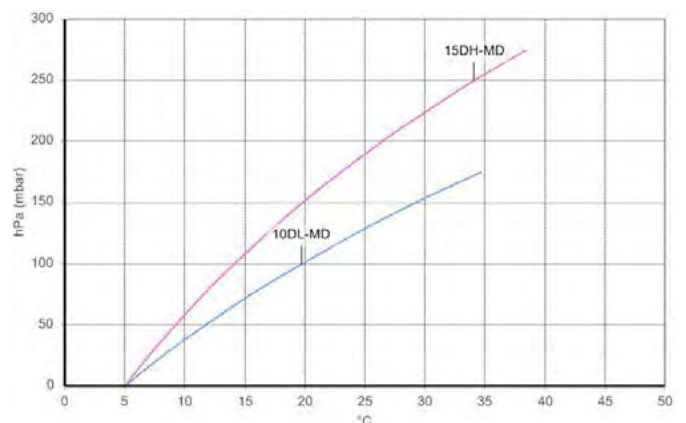
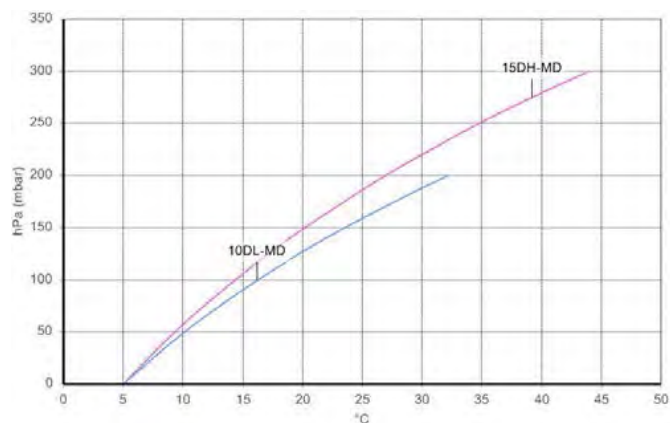
FLOW RATE



ABSORBED POWER



TEMPERATURE INCREASE



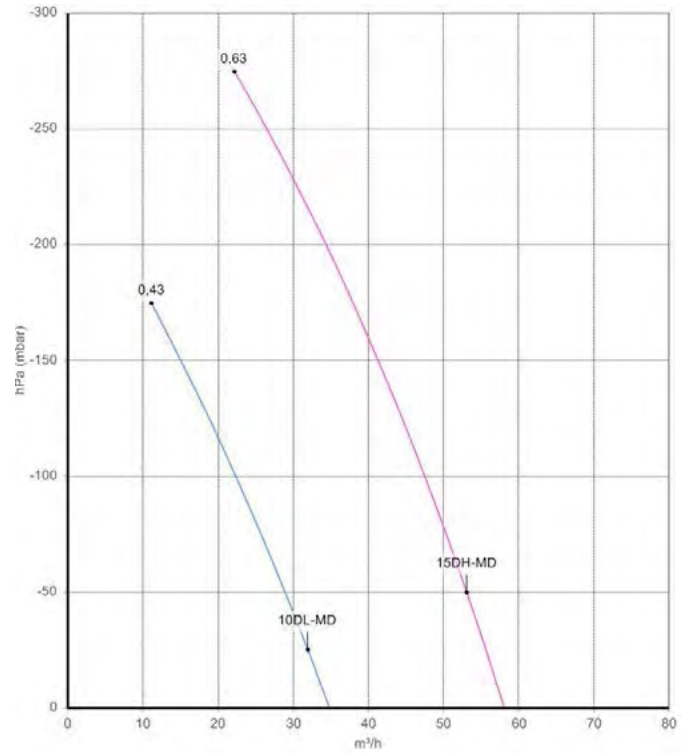
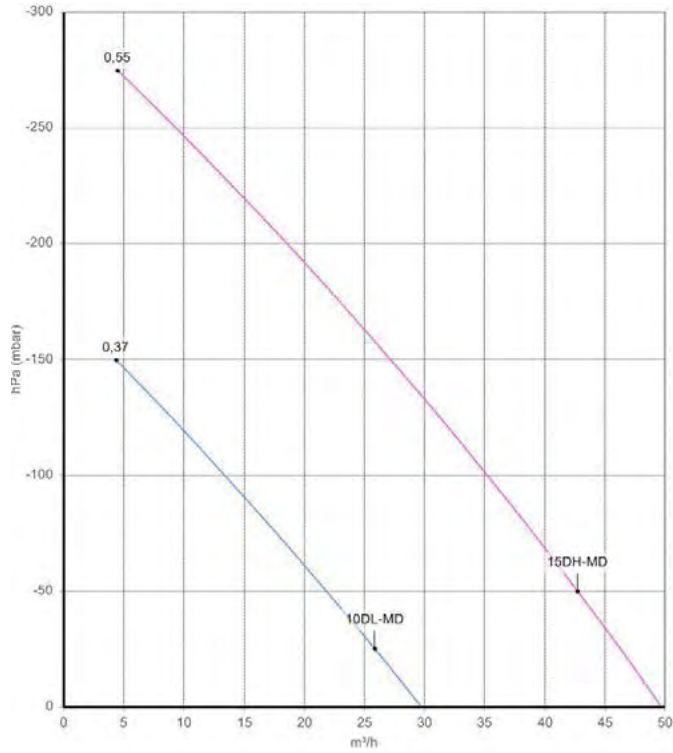
Curves referring to air at a temperature of 20 °C and atmospheric pressure of 1013 mbar (abs).
Tolerance on indicated values ± 10%.
Data subject to change without notice.

VACUUM

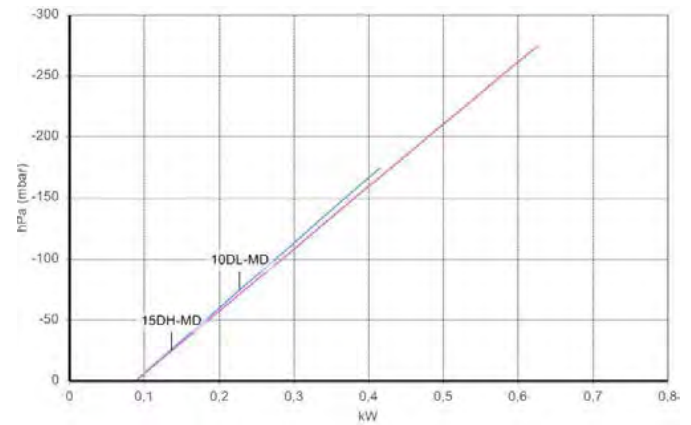
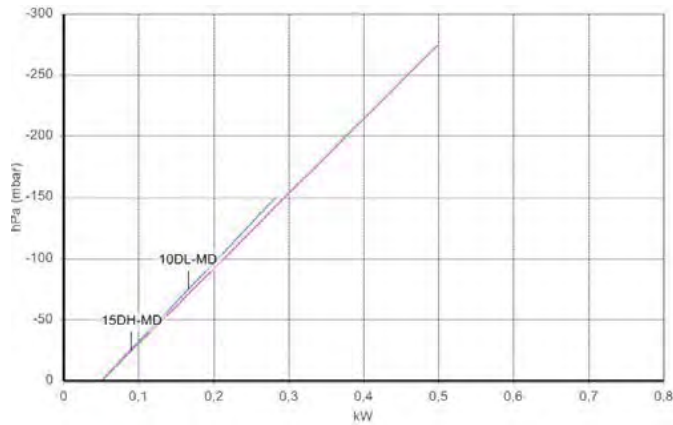
2900 rpm (50 Hz)

3500 rpm (60 Hz)

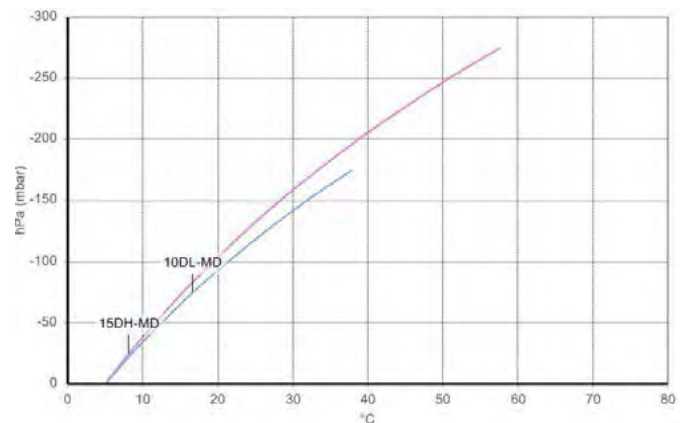
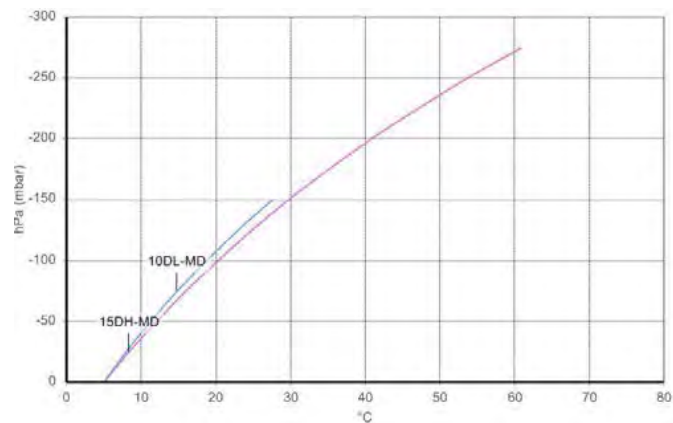
FLOW RATE



ABSORBED POWER

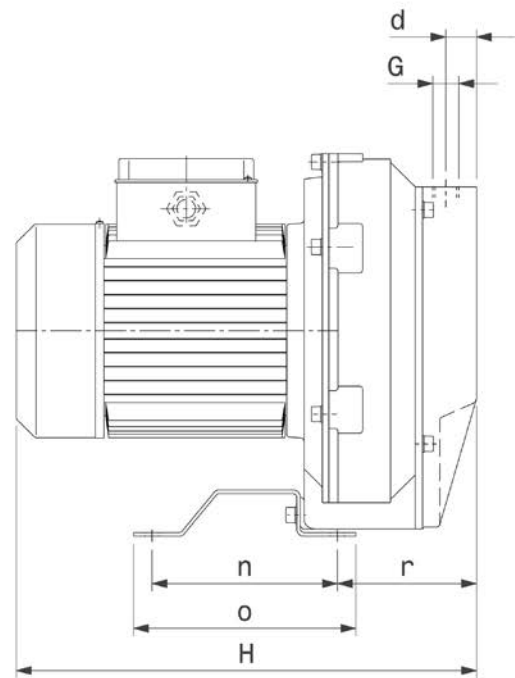
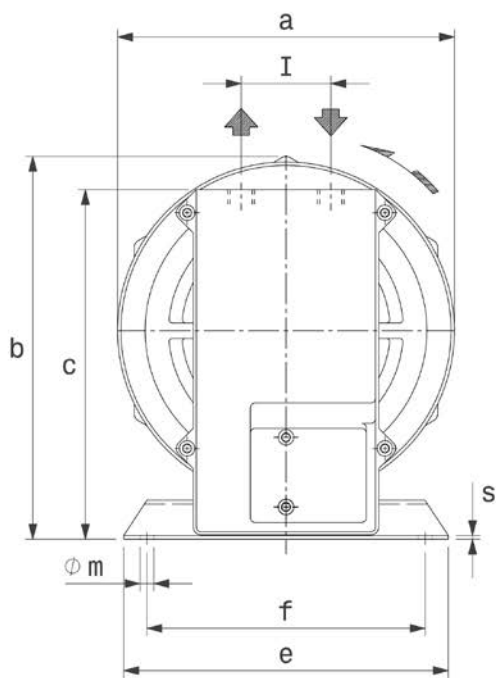


TEMPERATURE INCREASE



Curves referring to air at a temperature of 20 °C and atmospheric pressure of 1013 mbar (abs).
Tolerance on indicated values ± 10%.
Data subject to change without notice.

DIMENSIONS



Dimensions in mm
NOT Binding

Model	a	b	c	d	e	f	G
10DL-MD	220	256	230	23	210	180	G 1/2"
15DH-MD	250	286	258	30	210	180	G 3/4"

H	I	m	n	o	r	s
300	58	9	120	144	90	2,5
335	64	9	120	144	120	2,5

SIDE CHANNEL BLOWER

R20MD MOR

Technical characteristics

- Aluminium alloy construction
- Painted

Electric motor

- Motors with IP55 protection rating (not applied to single-phase)
- Class F insulation, suitable for operating with inverter (refer to FPZ)
- Thermal Protector (PTO) as standard

Options

- Special voltages (IEC 60038)
- Sealed version
- Motor protection with PTC
- Unpainted



PERFORMANCE TABLE

P _n [kW]	Frequency [Hz]	Δ p _{max} [mbar]		Q _{max} [m ³ /h]	Leq ¹ [dB(A)]
		Suction	Compression		
0.75	50	300	325	60	66.0
0.9	60	300	275	70	68.0
1.1	50	(300)	400	60	66.5
1.3	60	350	450	70	68.5

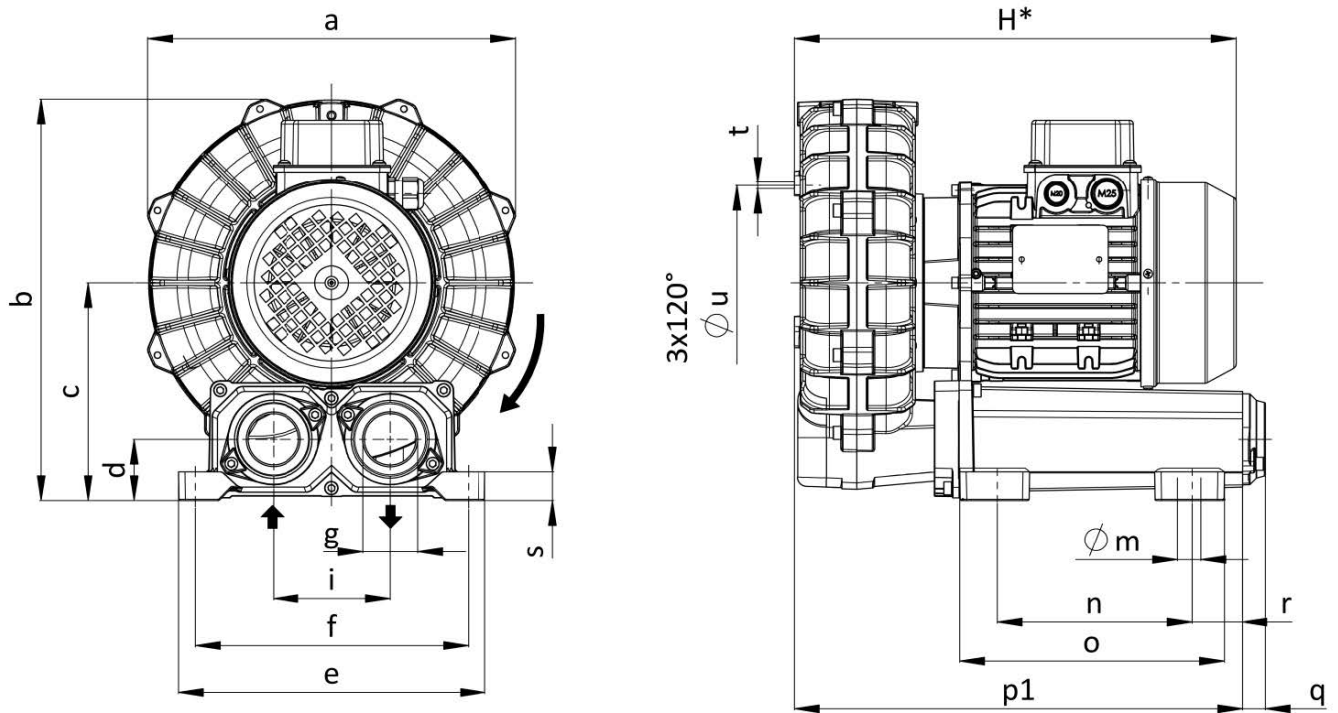
1. Noise level measured at a distance of 1 m with ducted intake and delivery, in accordance with Standard ISO 3744.

BLOWER CONFIGURATIONS

	[V] (Δ / Y)	[Hz]
IE2	230 / 400	50
	265 / 460 (not IE2)	60
Wide range	200 - 240 / 345 - 415	50
	220 - 280 / 380 - 480	60
SINGLE-PHASE	230	50

Supply voltage - IE2 only at 50 Hz - Tolerance on the fixed voltage value ± 10%, in range ± 5%.

DIMENSIONS



Dimensions in mm
NOT Binding

a	b	c	d	e	f	g	H*	l	m
283	309	167	47	235	210	G 1" 1/4	340	90	10
n	o	p1	q	r	s	t	u	max weight (kg)	
150	200	345	18	45	22	M6	150	23	

INSTALLATION

- For proper operation of the machine, it must be provided with a suction FILTER and a vacuum/pressure limiting VALVE.
- Other accessories are available on request.
- Permissible ambient and fluid temperature in suction from -15 °C to +40 °C.
- Read the instruction manual carefully before installing the machine.

* The value indicated refers to the machine with motor of maximum length.

SIDE CHANNEL BLOWER

R30MD MOR

Technical characteristics

- Aluminium alloy construction
- Painted

Electric motor

- Motors with IP55 protection rating (not applied to single-phase)
- Class F insulation, suitable for operating with inverter (refer to FPZ)
- Thermal Protector (PTO) as standard

Options

- Special voltages (IEC 60038)
- Sealed version
- Motor protection with PTC
- Unpainted



PERFORMANCE TABLE

P _n [kW]	Frequency [Hz]	Δ p _{max} [mbar]		Q _{max} [m ³ /h]	Leq ¹ [dB(A)]
		Suction	Compression		
1.1	50	300	325	91	69.2
1.3	60	325	300	110	72.2
1.5	50	350	425	91	69.7
1.7	60	375	425	110	72.8

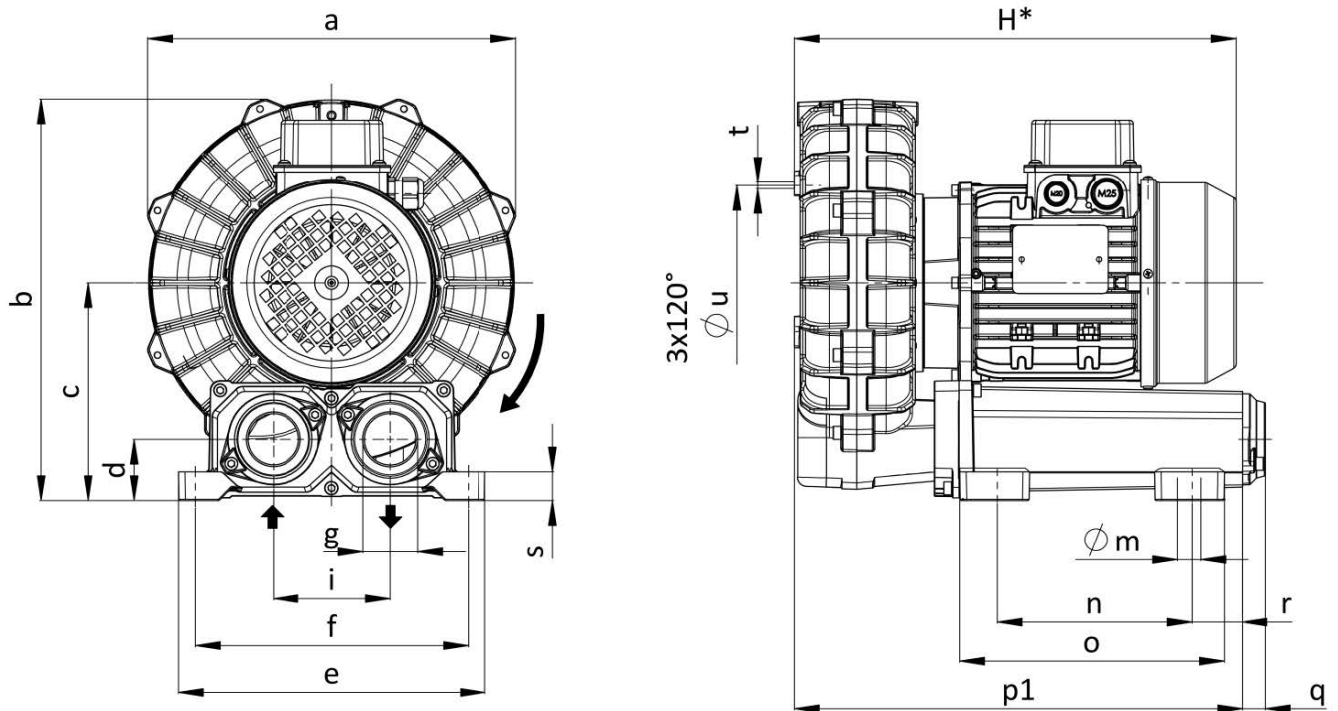
1. Noise level measured at a distance of 1 m with ducted intake and delivery, in accordance with Standard ISO 3744.

BLOWER CONFIGURATIONS

	[V] (Δ / Y)	[Hz]
IE2	230 / 400	50
	265 / 460 (not IE2)	60
Wide range	200 - 240 / 345 - 415	50
	220 - 280 / 380 - 480	60
SINGLE-PHASE	230	50

Supply voltage - IE2 only at 50 Hz - Tolerance on the fixed voltage value ± 10%, in range ± 5%.

DIMENSIONS



Dimensions in mm
NOT Binding

a	b	c	d	e	f	g	H*	l	m
319	346	187	47	235	210	G 1" 1/4	390	90	10
n	o	p1	q	r	s	t	u	max weight (kg)	
150	200	354	18	45	22	M6	180	25	

INSTALLATION

- For proper operation of the machine, it must be provided with a suction FILTER and a vacuum/pressure limiting VALVE.
- Other accessories are available on request.
- Permissible ambient and fluid temperature in suction from -15 °C to +40 °C.
- Read the instruction manual carefully before installing the machine.

* The value indicated refers to the machine with motor of maximum length.

SIDE CHANNEL BLOWER

R40MD MOR

Technical characteristics

- Aluminium alloy construction
- Painted

Electric motor

- Motors with IP55 protection rating (not applied to single-phase)
- Class F insulation, suitable for operating with inverter (refer to FPZ)
- Thermal Protector (PTO) as standard

Options

- Special voltages (IEC 60038)
- Sealed version
- Motor protection with PTC
- Unpainted



PERFORMANCE TABLE

P _n [kW]	Frequency [Hz]	Δ p _{max} [mbar]		Q _{max} [m ³ /h]	Leq ¹ [dB(A)]
		Suction	Compression		
2.2	50	350	425	117	70.8
2.6	60	375	400	137	72.8
3.0	50	(350)	500	117	71.3
3.5	60	(375)	500	137	73.3

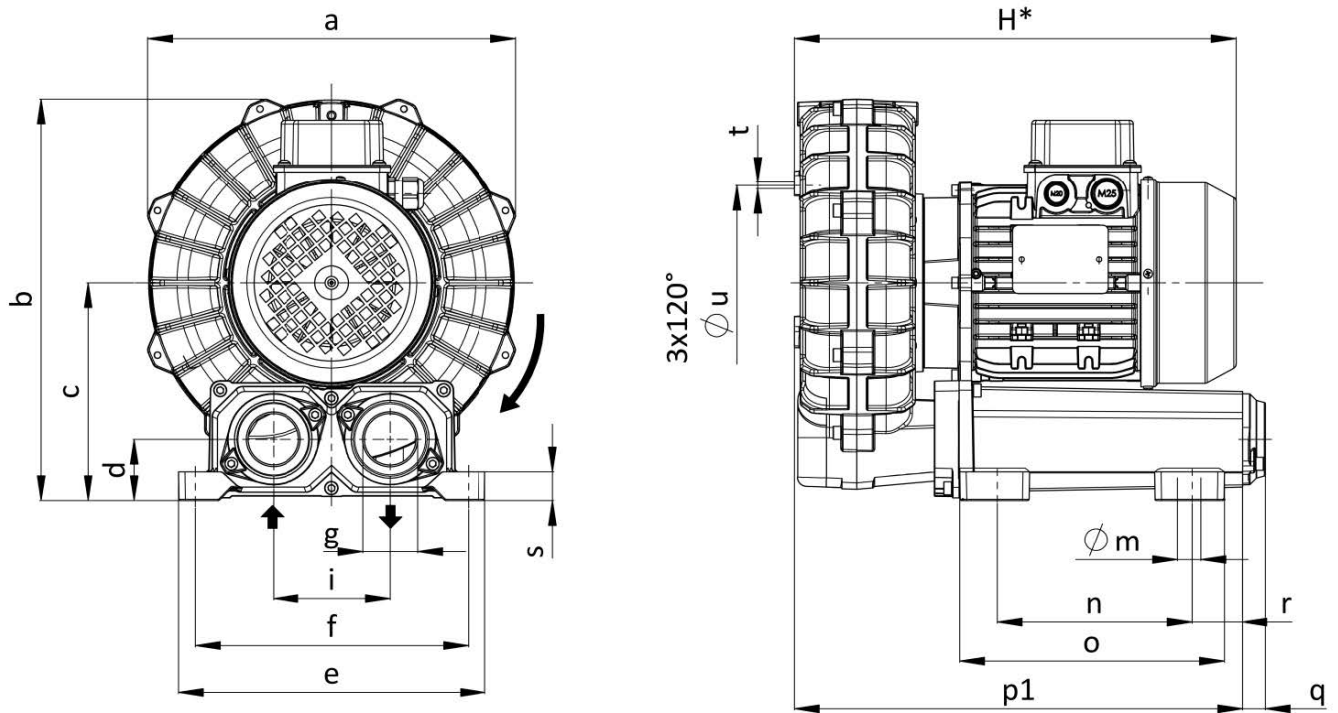
1. Noise level measured at a distance of 1 m with ducted intake and delivery, in accordance with Standard ISO 3744.

BLOWER CONFIGURATIONS

	[V] (Δ / Y)	[Hz]
IE2	230 / 400	50
	265 / 460 (not IE2)	60
Wide range	200 - 240 / 345 - 415	50
	220 - 280 / 380 - 480	60
SINGLE-PHASE	230	50

Supply voltage - IE2 only at 50 Hz - Tolerance on the fixed voltage value ± 10%, in range ± 5%.

DIMENSIONS



Dimensions in mm
NOT Binding

a	b	c	d	e	f	g	H*	l	m
350	372	197	47	235	210	G 1" 1/4	440	90	10
n	o	p1	q	r	s	t	u	max weight (kg)	
150	200	364	18	45	22	M8	225	40	

INSTALLATION

- For proper operation of the machine, it must be provided with a suction FILTER and a vacuum/pressure limiting VALVE.
- Other accessories are available on request.
- Permissible ambient and fluid temperature in suction from -15 °C to +40 °C.
- Read the instruction manual carefully before installing the machine.

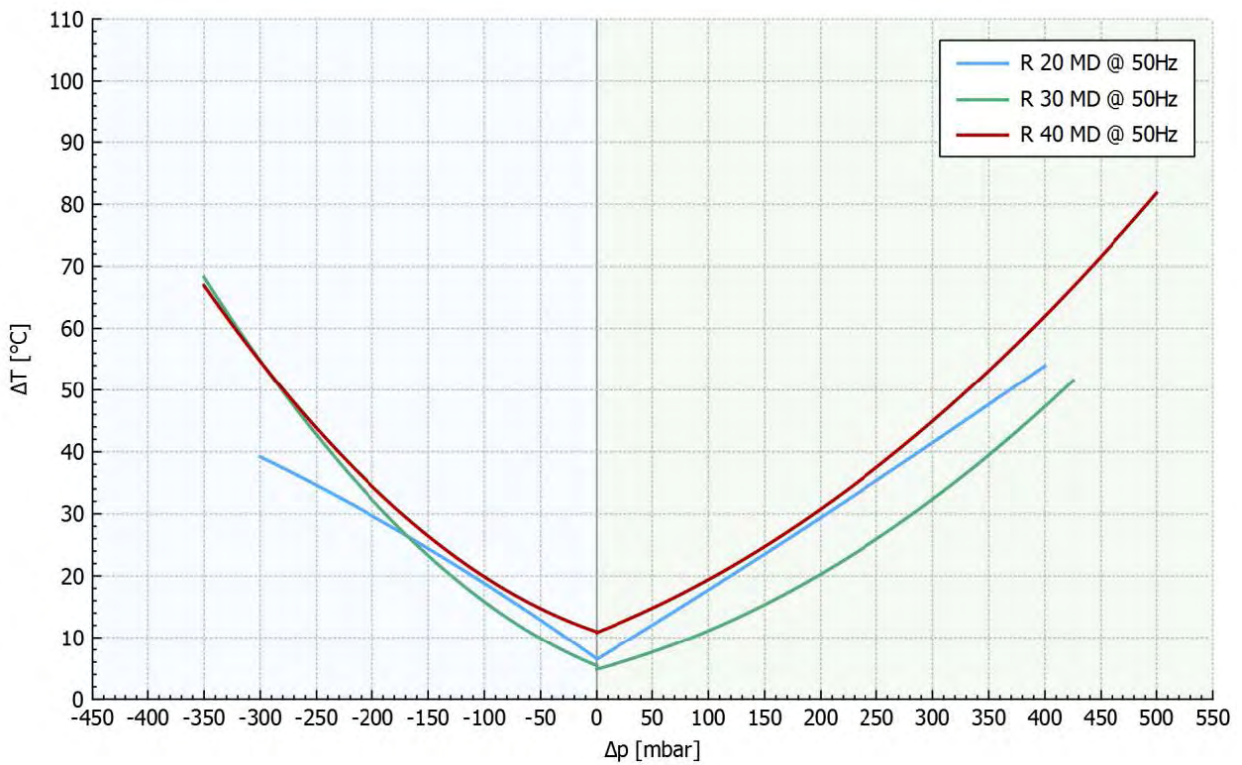
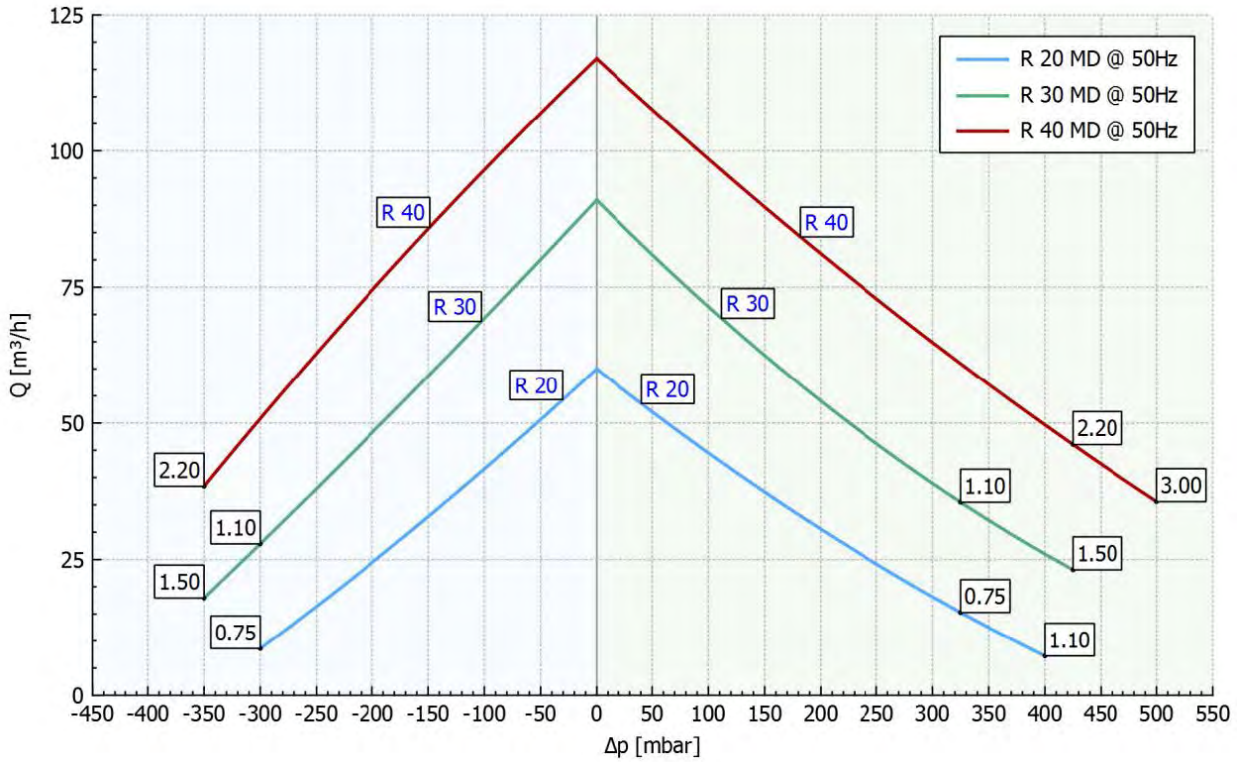
* The value indicated refers to the machine with motor of maximum length.

SIDE CHANNEL BLOWER

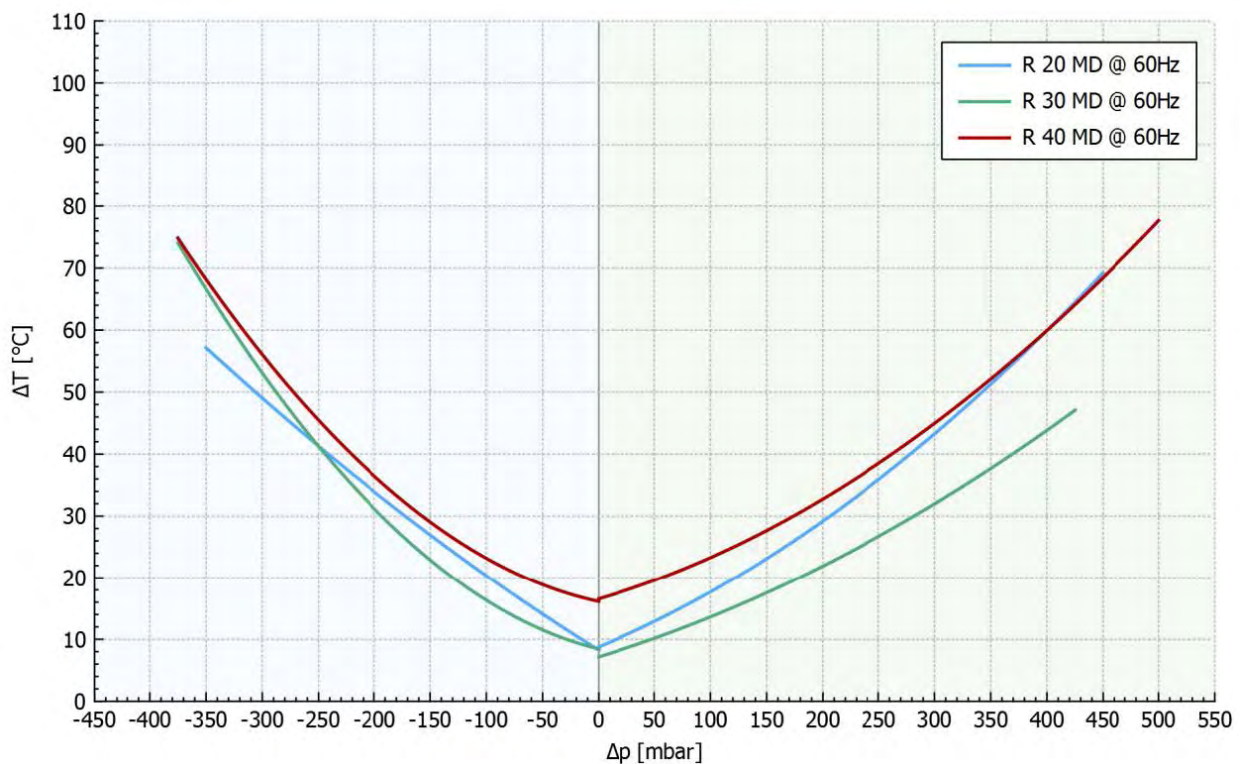
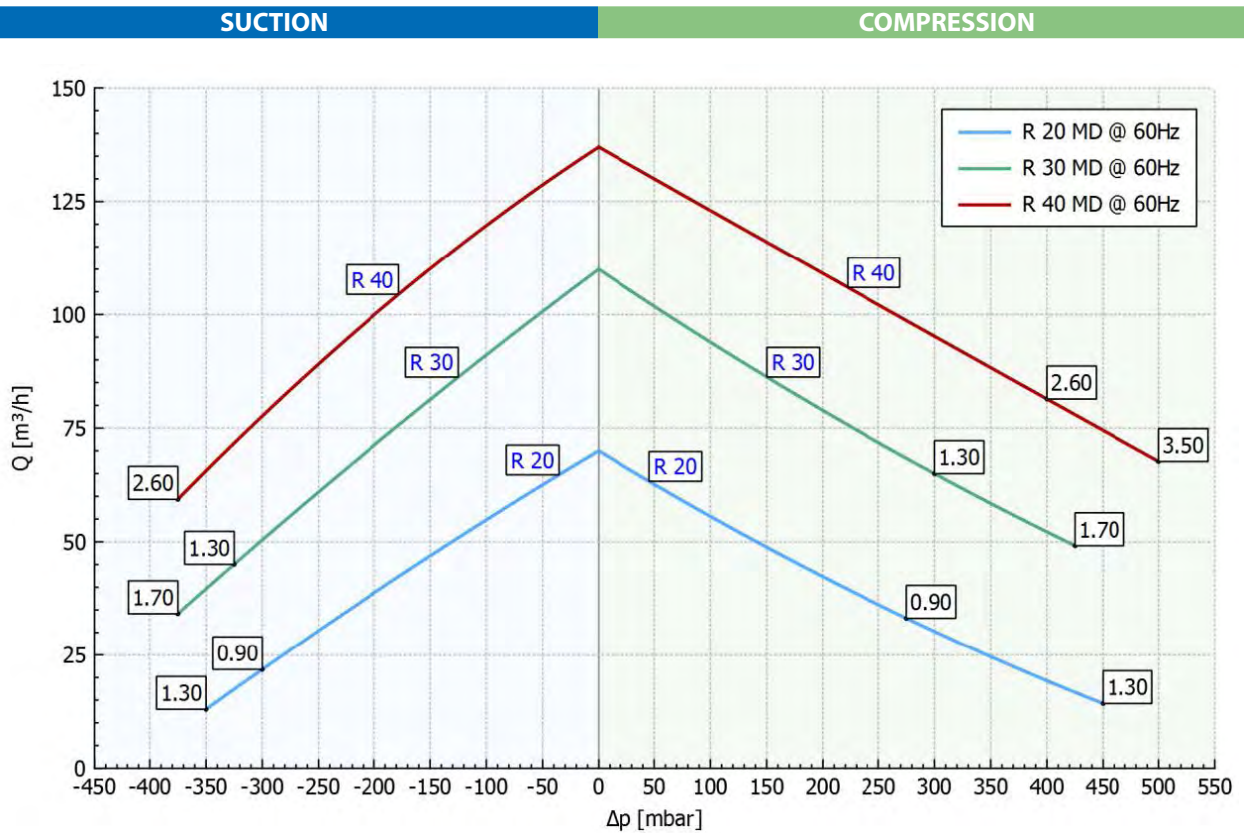
R Series MOR

Operation @ 50Hz

SUCTION
COMPRESSION



Curves referring to air at a temperature of 20 °C and atmospheric pressure of 1013 mbar (abs).
Tolerance on indicated values ± 10%.
Data subject to change without notice.

SIDE CHANNEL BLOWER
R Series MOR
Operation @ 60Hz


SIDE CHANNEL BLOWER • VERSION IE2

K07RMD MOR

Technical characteristics

- Aluminium alloy construction
- Smooth operation
- Maintenance free

Electric motor

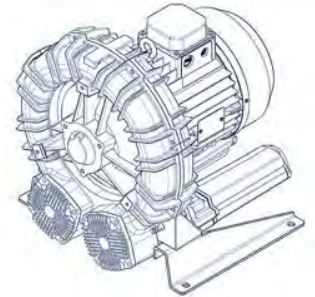
- Motors with IP55 protection rating
- Class F insulation, suitable for operating with inverter (refer to FPZ)
- Thermal Protector (PTO) as standard

Options

- Special voltages (IEC 60038)
- Surface treatments
- Increased seal version

	[V] (Δ / Y)		[Hz]
	≤ 4 kW	> 4 kW	
IE2	230 / 400	400 / 690	50
	265 / 460	460 / 795	60
Wide range	200-240 / 345-415	345-415 / 600-720	50
	220-280 / 380-480	380-480 / 660-830	60

Supply voltage - IE2 only at 50 Hz - Tolerance on the fixed voltage value ± 10%, in range ± 5%.



PERFORMANCE TABLE

P _n [kW]	Frequency [Hz]	Δ p _{max} [mbar]		Q _{max} [m ³ /h]	Leq ¹ [dB(A)]	Weight [kg]	H ³ [mm]	Current Consumption (Y / Δ) [A]		Cosφ [-]	Speed [rpm]
		Suction	Compression					IE2 ²	Range		
3	50	400	450	181	70.5	51.8	400	6.27 / 10.8	6.88-6.36 / 11.9-11.0	0.82	2920
3.5	60	400	350	218	72.5	51.8	400	6.23 / 10.8	7.29-6.23 / 12.6-10.8	0.84	3515
4	50	450	550	181	70.5	53	415	8.12 / 14.05	8.80-8.26 / 15.2-14.3	0.82	2910
4.8	60	450	550	218	72.5	53	415	8.10 / 14.03	9.37-8.10 / 16.2-14.0	0.84	3480
5.5	50	-	650	181	70.5	66.5	445	6.40 / 11.1	6.81-6.75 / 11.8-11.7	0.80	2940
6.5	60	-	650	218	72.5	66.5	445	6.38 / 11.1	7.21-6.47 / 12.5-11.2	0.84	3535

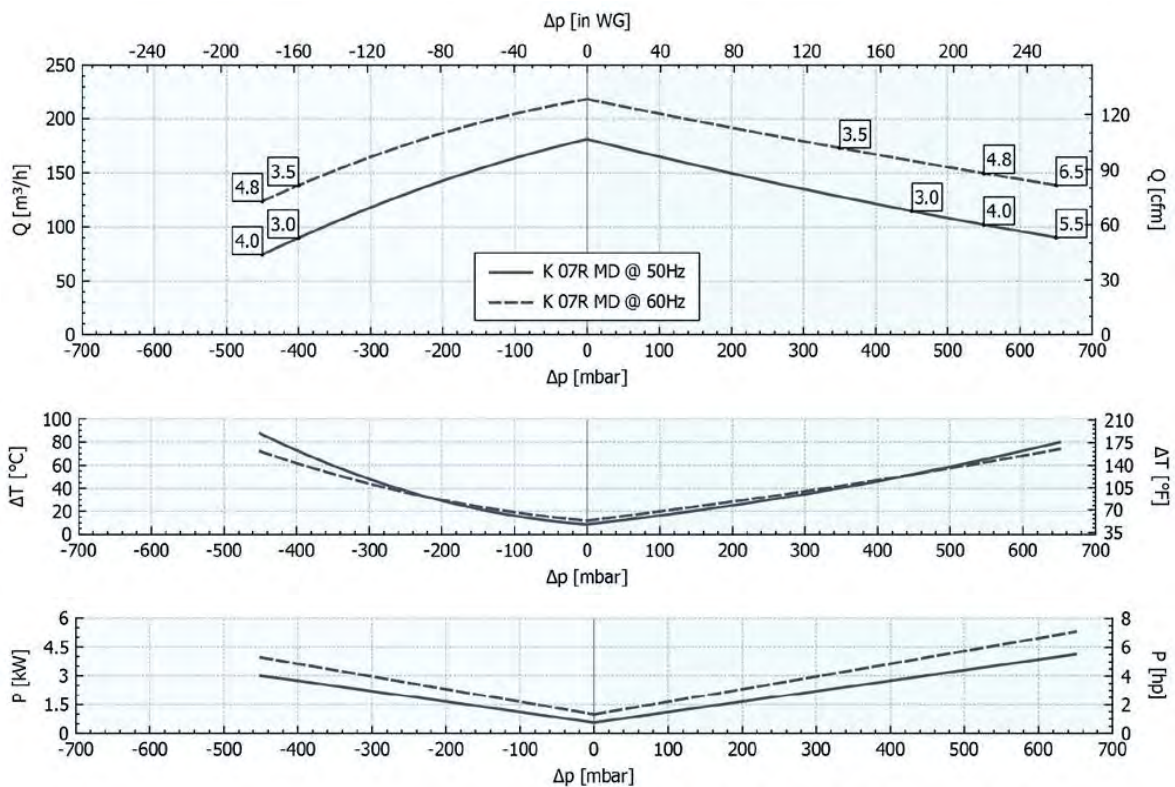
1. Noise level measured at a distance of 1 m with ducted intake and delivery, in accordance with Standard ISO 3744.

2. IE2 only at 50Hz.

3. See figure "dimensions" at following page.

SUCTION

COMPRESSION

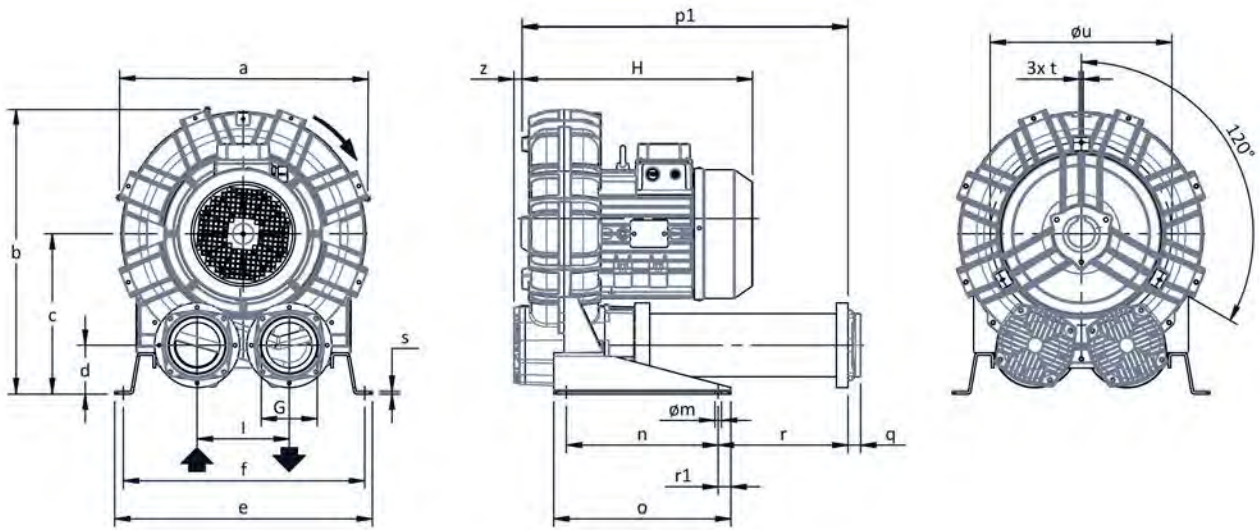


Tolerance on indicated values ± 10%.

Data subject to change without notice.

Curves referring to air at a temperature of 20 °C and atmospheric pressure of 1013 mbar (abs).

DIMENSIONS



NOT Binding
 Dimensions in mm

a	b	c	d	d1	e	f	G	l	l1	l2	m	n	o	p1	p2	q	r	r1	s	t	u	v	w	x	y	z
424	481	269	82	-	470	438	G 2"	155	-	-	13	300	350	418	-	18	43	25	5	M8	295	-	-	-	-	16

INSTALLATION

- For proper operation of the machine, it must be provided with a suction FILTER and a vacuum/pressure limiting VALVE.
- Other accessories are available on request.
- Permissible ambient and fluid temperature in suction from -15 °C to +40 °C.
- Read the instruction manual carefully before installing the machine.

SIDE CHANNEL BLOWER • VERSION IE2

K08RMD MOR

Technical characteristics

- Aluminium alloy construction
- Smooth operation
- Maintenance free

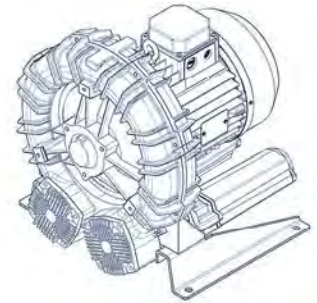
Electric motor

- Motors with IP55 protection rating
- Class F insulation, suitable for operating with inverter (refer to FPZ)
- Thermal Protector (PTO) as standard

Options

- Special voltages (IEC 60038)
- Surface treatments
- Increased seal version

	[V] (Δ / Y)		[Hz]
	≤ 4 kW	> 4 kW	
IE2	230 / 400	400 / 690	50
	265 / 460	460 / 795	60
Wide range	200-240 / 345-415	345-415 / 600-720	50
	220-280 / 380-480	380-480 / 660-830	60



Supply voltage - IE2 only at 50 Hz - Tolerance on the fixed voltage value ± 10%, in range ± 5%.

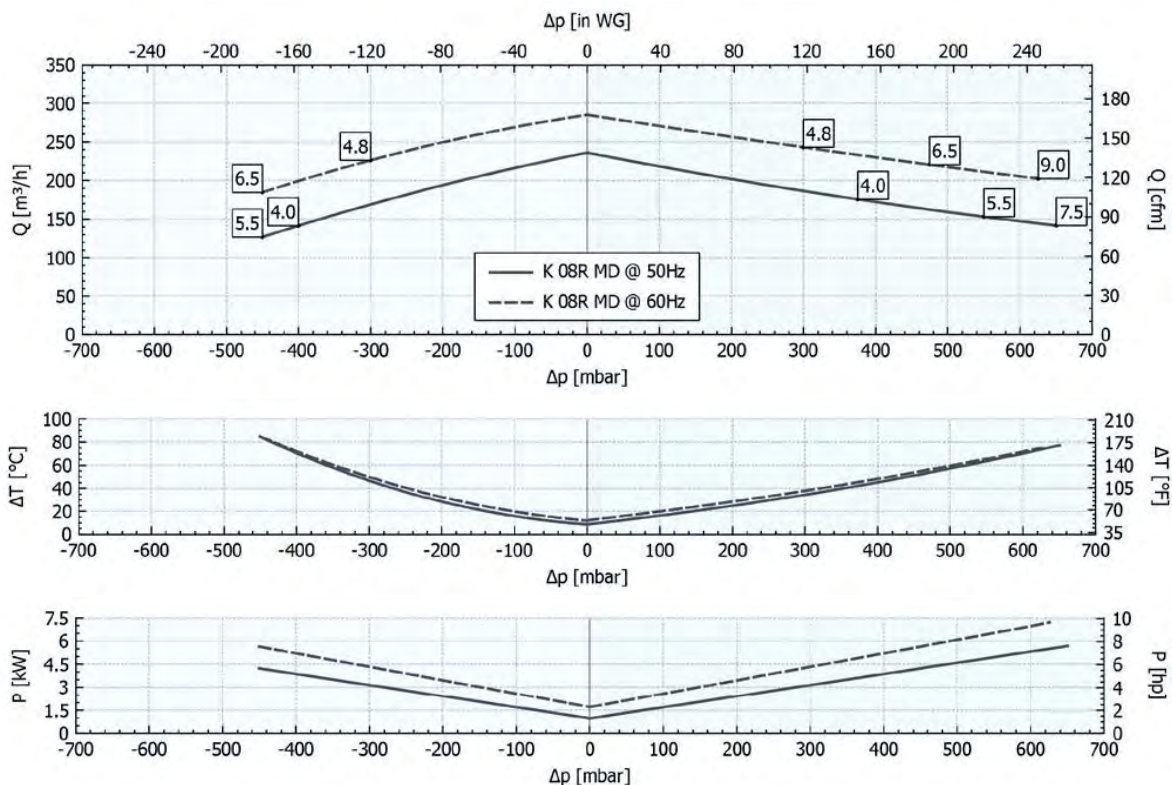
PERFORMANCE TABLE

P _n [kW]	Frequency [Hz]	Δ p _{max} [mbar]		Q _{max} [m ³ /h]	Leq ¹ [dB(A)]	Weight [kg]	H ³ [mm]	Current Consumption (Y / Δ) [A]		Cosφ [-]	Speed [rpm]
		Suction	Compression					IE2 ²			
								IE2 ²	Range		
4	50	400	375	236	73.4	56.5	415	8.12 / 14.05	8.80-8.26 / 15.2-14.3	0.82	2910
4.8	60	300	300	285	75.4	56.5	415	8.10 / 14.03	9.37-8.10 / 16.2-14.0	0.84	3480
5.5	50	450	550	236	73.4	70	445	6.40 / 11.1	6.81-6.75 / 11.8-11.7	0.80	2940
6.5	60	450	475	285	75.4	70	445	6.38 / 11.1	7.21-6.47 / 12.5-11.2	0.84	3535
7.5	50	-	650	236	73.4	75	445	9.06 / 15.7	9.18-9.47 / 15.9-16.4	0.78	2940
9	60	-	625	285	75.4	75	445	8.86 / 15.34	9.87-9.00 / 17.1-15.6	0.83	3530

1. Noise level measured at a distance of 1 m with ducted intake and delivery, in accordance with Standard ISO 3744.
2. IE2 only at 50Hz.
3. See figure "dimensions" at following page.

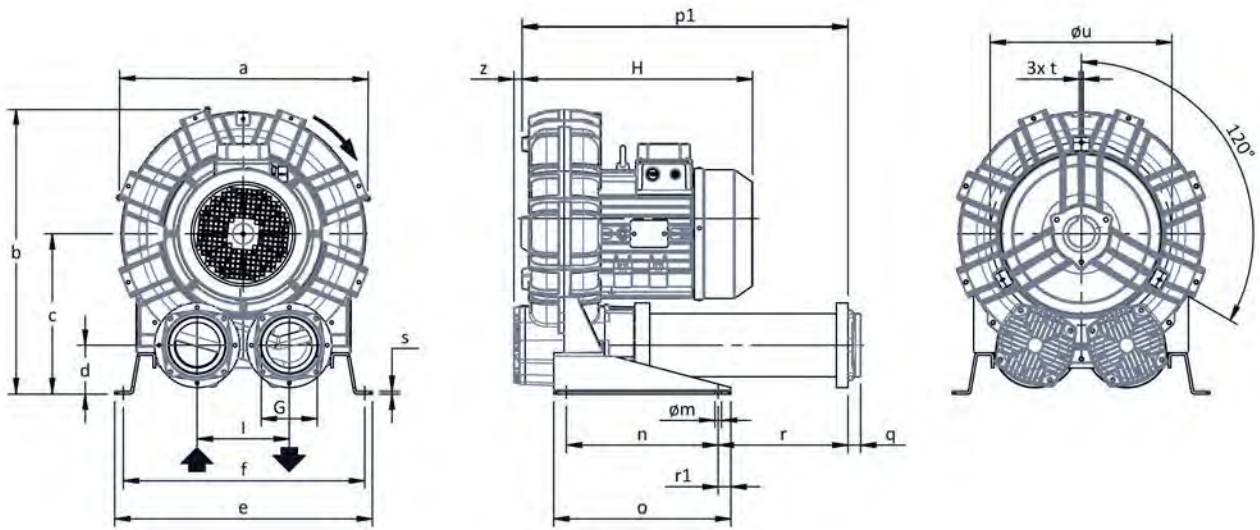
SUCTION

COMPRESSION



Tolerance on indicated values ± 10%.
 Data subject to change without notice.
 Curves referring to air at a temperature of 20 °C and atmospheric pressure of 1013 mbar (abs).

DIMENSIONS



NOT Binding
 Dimensions in mm

a	b	c	d	d1	e	f	G	l	l1	l2	m	n	o	p1	p2	q	r	r1	s	t	u	v	w	x	y	z
457	498	269	82	-	480	448	G 2"	155	-	-	13	300	350	418	-	18	43	25	5	M8	310	-	-	-	-	16

INSTALLATION

- For proper operation of the machine, it must be provided with a suction FILTER and a vacuum/pressure limiting VALVE.
- Other accessories are available on request.
- Permissible ambient and fluid temperature in suction from -15 °C to +40 °C.
- Read the instruction manual carefully before installing the machine.

SIDE CHANNEL BLOWER • VERSION IE2

K09MD MOR

Technical characteristics

- Aluminium alloy construction
- Smooth operation
- Maintenance free

Electric motor

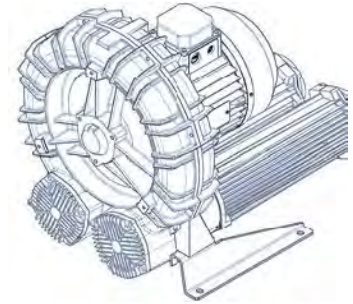
- Motors with IP55 protection rating
- Class F insulation, suitable for operating with inverter (refer to FPZ)
- Thermal Protector (PTO) as standard

Options

- Special voltages (IEC 60038)
- Surface treatments
- Increased seal version

	[V] (Δ / Y)	[Hz]
IE2	400 / 690	50
	460 / 795	60
Wide range	345 - 415 / 600 - 720	50
	380 - 480 / 660 - 830	60

Supply voltage - IE2 only at 50 Hz - Tolerance on the fixed voltage value $\pm 10\%$, in range $\pm 5\%$.



PERFORMANCE TABLE

P _n [kW]	Frequency [Hz]	Δ p _{max} [mbar]		Q _{max} [m ³ /h]	Leq ¹ [dB(A)]	Weight [kg]	H ³ [mm]	Current Consumption (Y / Δ) [A]		Cosφ [-]	Speed [rpm]
		Suction	Compression					IE2 ²	Range		
5.5	50	400	425	310	74.4	84	455	6.40 / 11.1	6.81-6.75 / 11.8-11.7	0.8	2940
6.5	60	425	375	374	76.4	84	455	6.38 / 11.1	7.21-6.47 / 12.5-11.2	0.84	3535
7.5	50	-	625	310	74.4	89	455	9.06 / 15.7	9.18-9.47 / 15.9-16.4	0.78	2940
9	60	-	575	374	76.4	89	455	8.86 / 15.34	9.87-9.00 / 17.1-15.6	0.83	3530

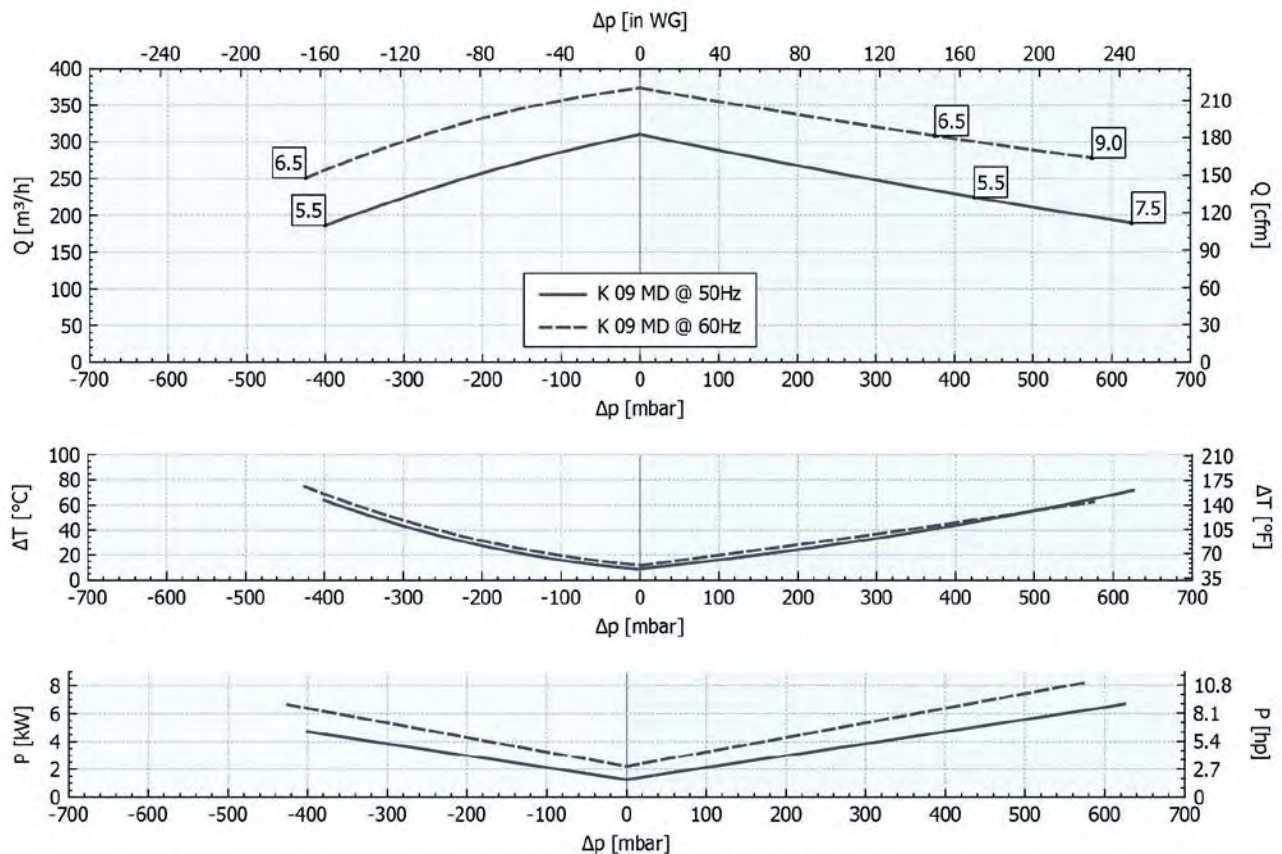
1. Noise level measured at a distance of 1 m with ducted intake and delivery, in accordance with Standard ISO 3744.

2. IE2 only at 50Hz.

3. See figure "dimensions" at following page.

SUCTION

COMPRESSION

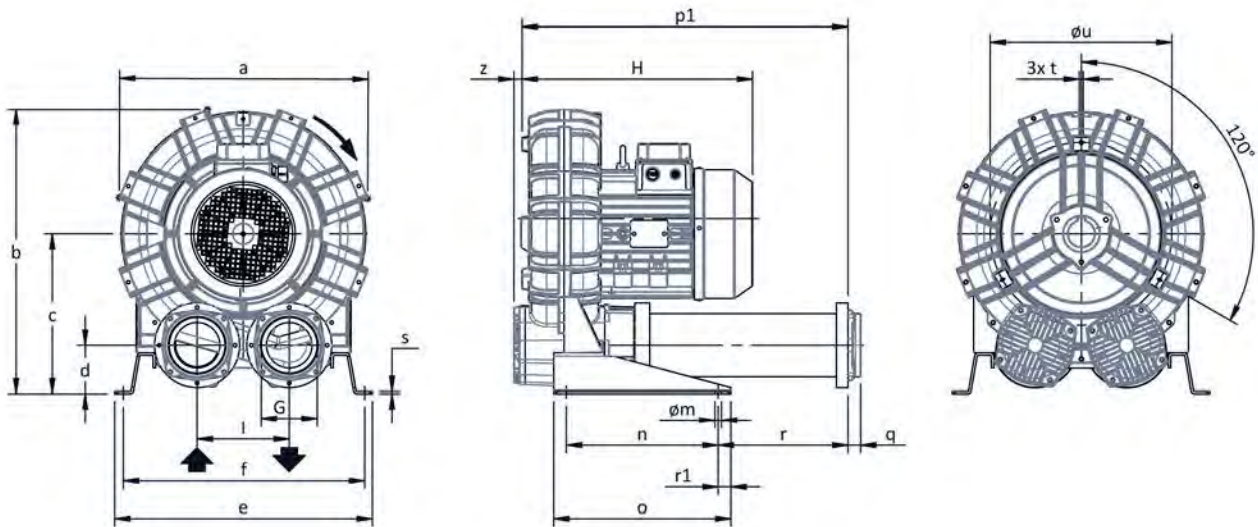


Tolerance on indicated values $\pm 10\%$.

Data subject to change without notice.

Curves referring to air at a temperature of 20 °C and atmospheric pressure of 1013 mbar (abs).

DIMENSIONS



NOT Binding
 Dimensions in mm

a	b	c	d	d1	e	f	G	l	l1	l2	m	n	o	p1	p2	q	r	r1	s	t	u	v	w	x	y	z
492	561	315	96	-	510	478	G 4"	182	-	-	13	300	350	644	-	25	257	25	5	M8	360	-	-	-	-	16

INSTALLATION

- For proper operation of the machine, it must be provided with a suction FILTER and a vacuum/pressure limiting VALVE.
- Other accessories are available on request.
- Permissible ambient and fluid temperature in suction from -15 °C to +40 °C.
- Read the instruction manual carefully before installing the machine.

SIDE CHANNEL BLOWER • VERSION IE2

K10MD MOR

Technical characteristics

- Aluminium alloy construction
- Smooth operation
- Maintenance free

Electric motor

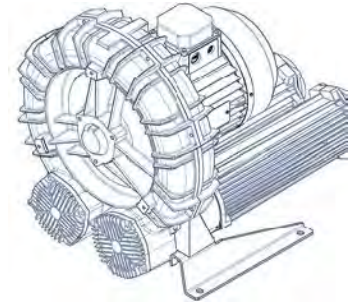
- Motors with IP55 protection rating
- Class F insulation, suitable for operating with inverter (refer to FPZ)
- Thermal Protector (PTO) as standard

Options

- Special voltages (IEC 60038)
- Surface treatments
- Increased seal version

	[V] (Δ / Y)	[Hz]
IE2	400 / 690	50
	460 / 795	60
Wide range	345 - 415 / 600 - 720	50
	380 - 480 / 660 - 830	60

Supply voltage - IE2 only at 50 Hz - Tolerance on the fixed voltage value ± 10%, in range ± 5%.



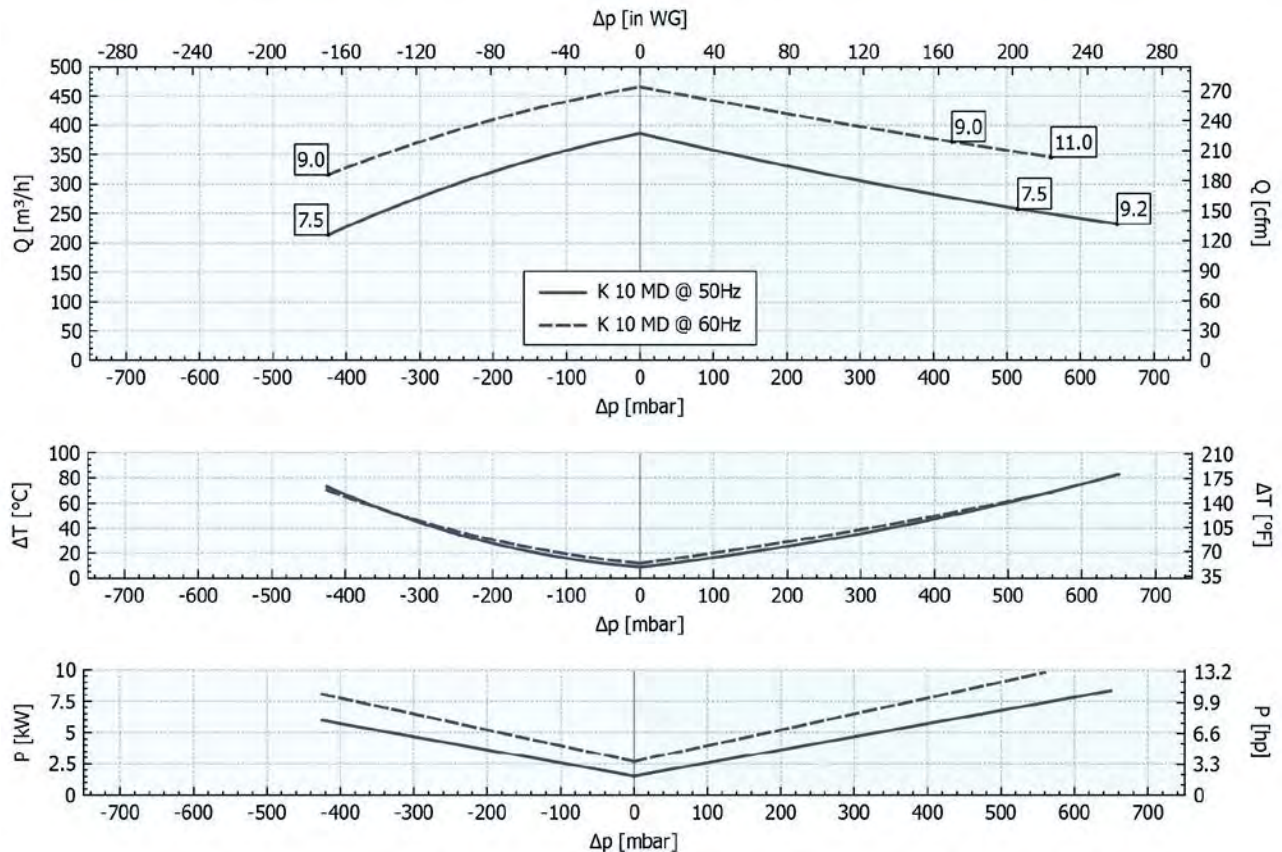
PERFORMANCE TABLE

P _n [kW]	Frequency [Hz]	Δ p _{max} [mbar]		Q _{max} [m ³ /h]	Leq ¹ [dB(A)]	Weight [kg]	H ³ [mm]	Current Consumption (Y / Δ) [A]		Cosφ [-]	Speed [rpm]
		Suction	Compression					Range			
								IE2 ²	Range		
7.5	50	425	515	386	78.4	91	455	9.06 / 15.7	9.18-9.47 / 15.9-16.4	0.78	2940
9	60	425	425	466	80.4	91	455	8.86 / 15.34	9.87-9.00 / 17.1-15.6	0.83	3530
9.2	50	-	650	386	78.4	96	495	10.3 / 17.8	11.1-10.6 / 19.2-18.3	0.83	2940
11	60	-	560	466	80.4	96	495	10.3 / 17.9	11.9-10.3 / 20.6-17.9	0.86	3530

1. Noise level measured at a distance of 1 m with ducted intake and delivery, in accordance with Standard ISO 3744.
2. IE2 only at 50Hz.
3. See figure "dimensions" at following page.

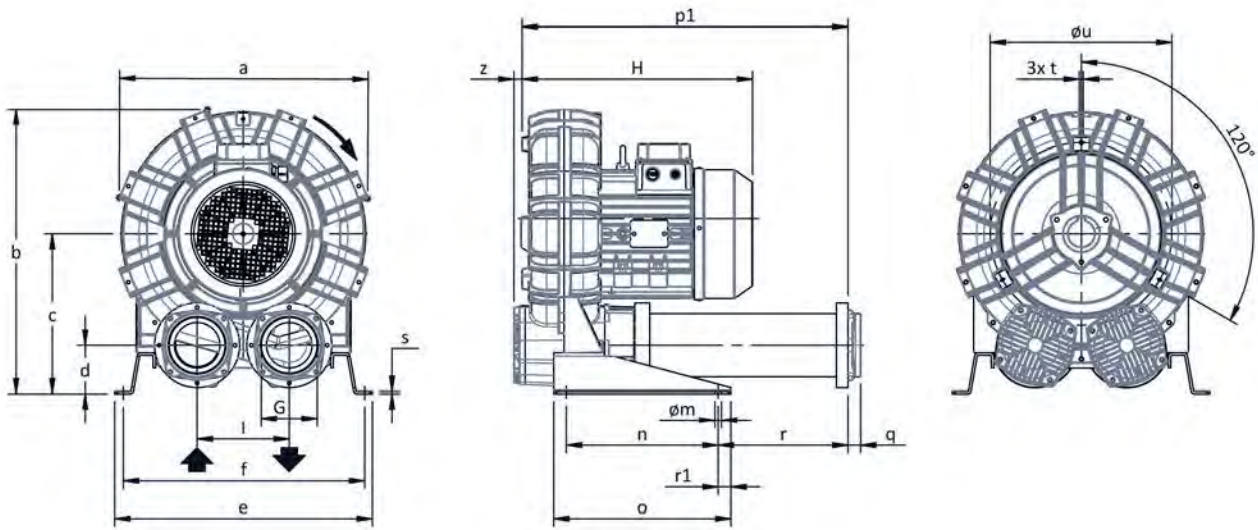
SUCTION

COMPRESSION



Tolerance on indicated values ± 10%.
 Data subject to change without notice.
 Curves referring to air at a temperature of 20 °C and atmospheric pressure of 1013 mbar (abs).

DIMENSIONS



NOT Binding
Dimensions in mm

a	b	c	d	d1	e	f	G	l	l1	l2	m	n	o	p1	p2	q	r	r1	s	t	u	v	w	x	y	z
516	573	315	96	-	510	478	G 4"	182	-	-	13	300	350	644	-	25	257	25	5	M8	360	-	-	-	-	16

INSTALLATION

- For proper operation of the machine, it must be provided with a suction FILTER and a vacuum/pressure limiting VALVE.
- Other accessories are available on request.
- Permissible ambient and fluid temperature in suction from -15 °C to +40 °C.
- Read the instruction manual carefully before installing the machine.

SIDE CHANNEL BLOWER • VERSION IE2

K11MD MOR

Technical characteristics

- Aluminium alloy construction
- Smooth operation
- Maintenance free

Electric motor

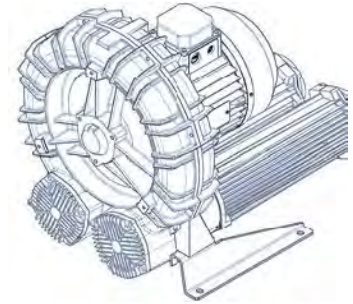
- Motors with IP55 protection rating
- Class F insulation, suitable for operating with inverter (refer to FPZ)
- Thermal Protector (PTO) as standard

Options

- Special voltages (IEC 60038)
- Surface treatments
- Increased seal version

	[V] (Δ / Y)	[Hz]
IE2	400 / 690	50
	460 / 795	60
Wide range	345 - 415 / 600 - 720	50
	380 - 480 / 660 - 830	60

Supply voltage - IE2 only at 50 Hz - Tolerance on the fixed voltage value ± 10%, in range ± 5%.



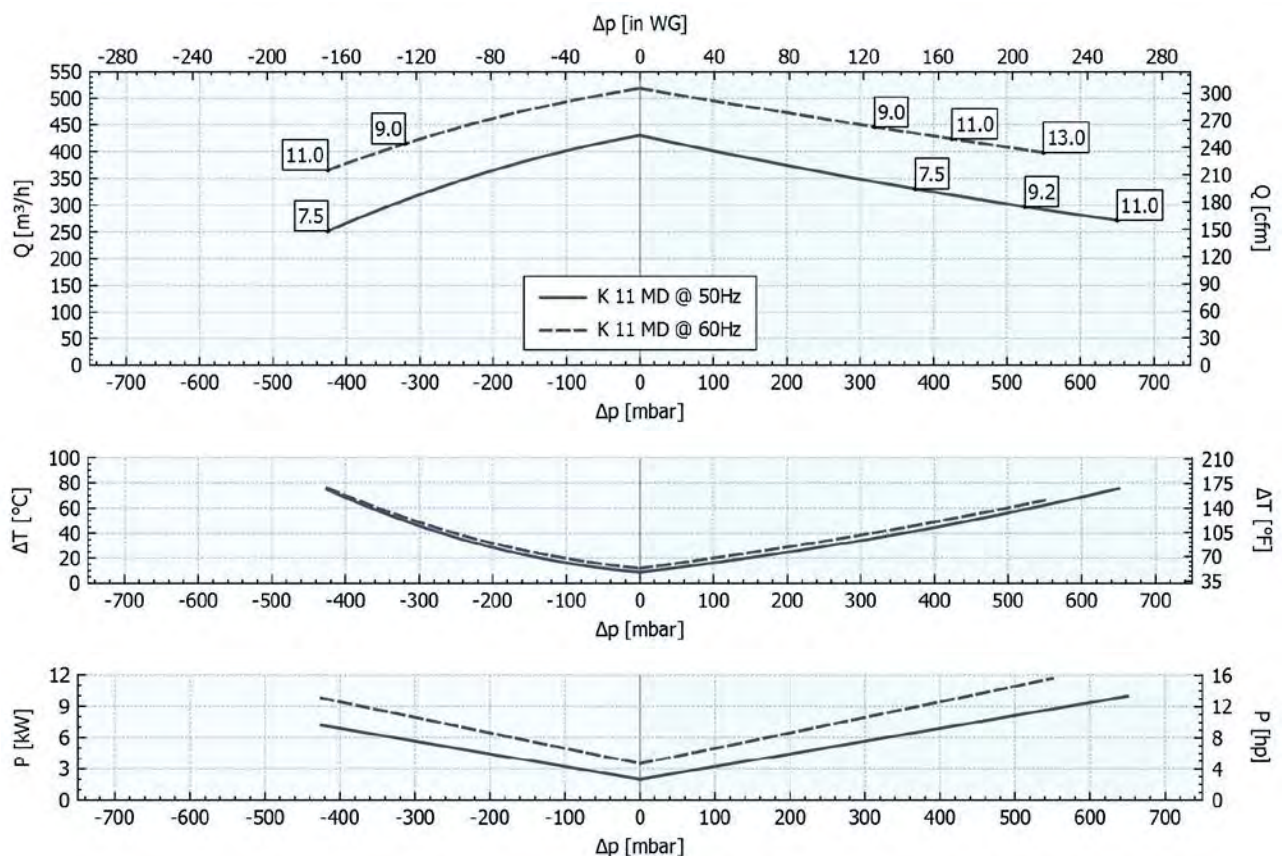
PERFORMANCE TABLE

P _n [kW]	Frequency [Hz]	Δ p _{max} [mbar]		Q _{max} [m ³ /h]	Leq ¹ [dB(A)]	Weight [kg]	H ³ [mm]	Current Consumption (Y / Δ) [A]		Cosφ [-]	Speed [rpm]
		Suction	Compression					IE2 ²	Range		
9	60	320	320	519	80.4	98.5	460	8.86 / 15.34	9.87-9.00 / 17.1-15.6	0.83	3530
9.2	50	-	525	430	78.4	103.5	500	10.3 / 17.8	11.1-10.6 / 19.2-18.3	0.83	2940
11	60	425	425	519	80.4	103.5	500	10.3 / 17.9	11.9-10.3 / 20.6-17.9	0.86	3530
11	50	-	650	430	78.4	110	500	12.53 / 21.7	13.0-12.9 / 22.6-22.3	0.81	2940
13	60	-	550	519	80.4	110	500	12.2 / 21.2	13.8-12.4 / 23.9-21.4	0.84	3530

1. Noise level measured at a distance of 1 m with ducted intake and delivery, in accordance with Standard ISO 3744.
2. IE2 only at 50Hz.
3. See figure "dimensions" at following page.

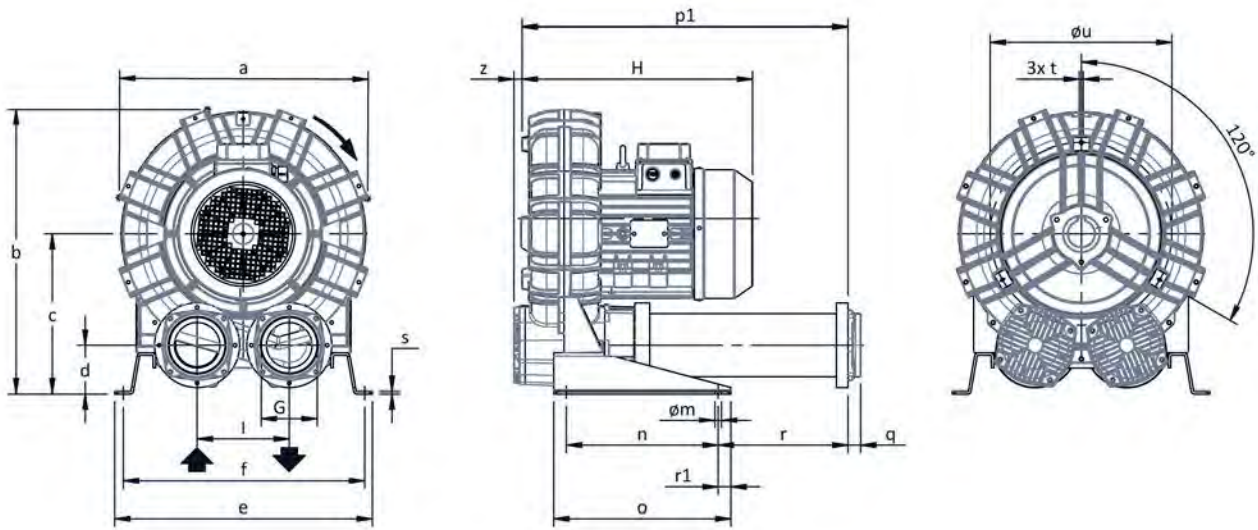
SUCTION

COMPRESSION



Tolerance on indicated values ± 10%.
Data subject to change without notice.
Curves referring to air at a temperature of 20 °C and atmospheric pressure of 1013 mbar (abs).

DIMENSIONS



NOT Binding
Dimensions in mm

a	b	c	d	d1	e	f	G	l	l1	l2	m	n	o	p1	p2	q	r	r1	s	t	u	v	w	x	y	z
542	603	332	91	-	540	508	G 4"	200	-	-	13	300	350	654	-	25	262	25	5	M8	390	-	-	-	-	16

INSTALLATION

- For proper operation of the machine, it must be provided with a suction FILTER and a vacuum/pressure limiting VALVE.
- Other accessories are available on request.
- Permissible ambient and fluid temperature in suction from -15 °C to +40 °C.
- Read the instruction manual carefully before installing the machine.

SIDE CHANNEL BLOWER • VERSION IE2

K12MD MOR

Technical characteristics

- Aluminium alloy construction
- Smooth operation
- Maintenance free

Electric motor

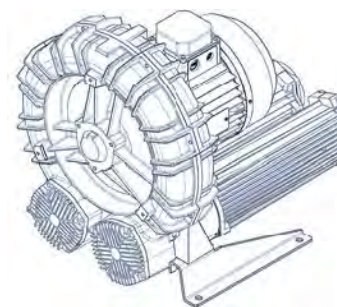
- Motors with IP55 protection rating
- Class F insulation, suitable for operating with inverter (refer to FPZ)
- Thermal Protector (PTO) as standard

Options

- Special voltages (IEC 60038)
- Surface treatments
- Increased seal version

	[V] (Δ / Y)	[Hz]
IE2	400 / 690	50
	460 / 795	60
Wide range	345 - 415 / 600 - 720	50
	380 - 480 / 660 - 830	60

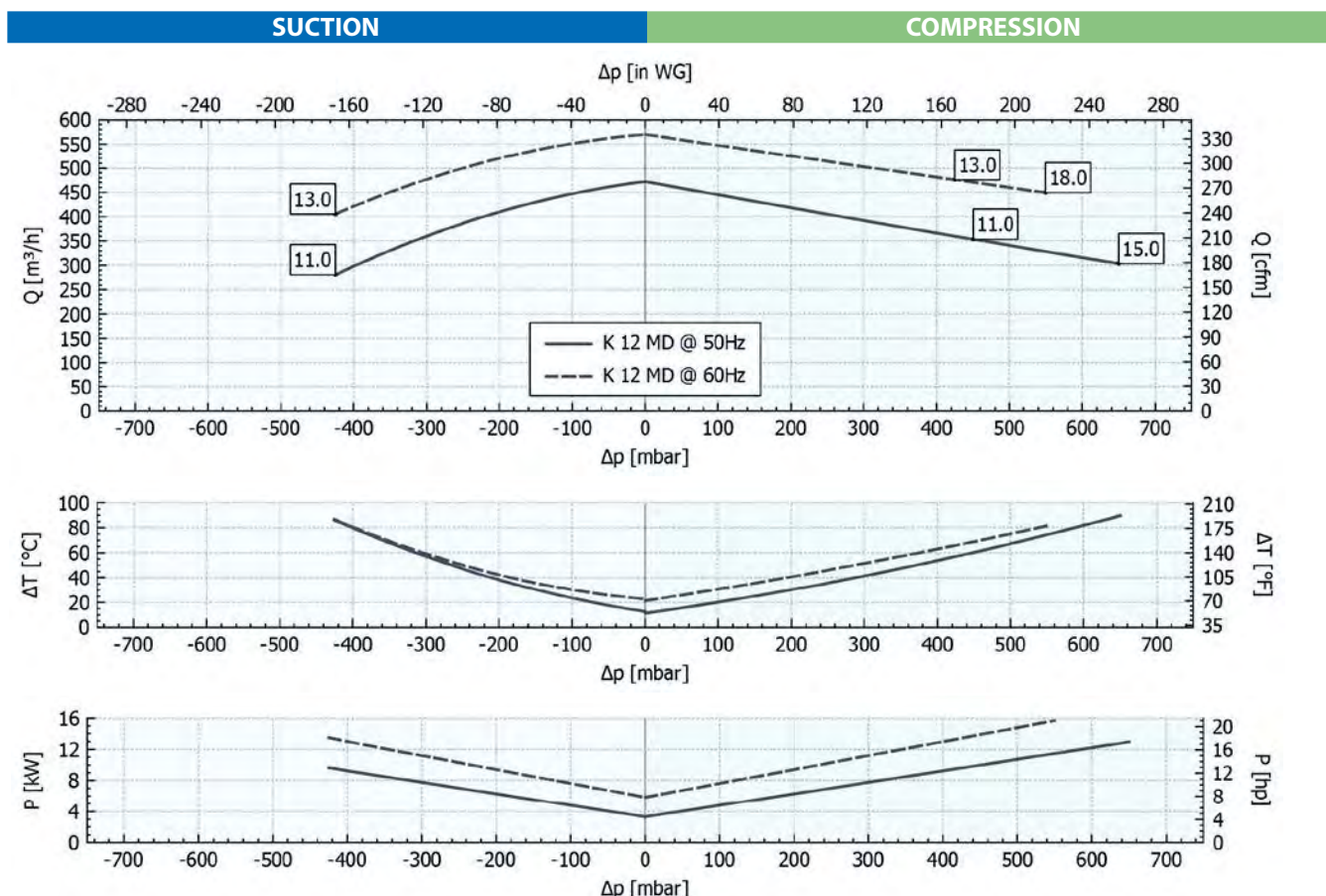
Supply voltage - IE2 only at 50 Hz - Tolerance on the fixed voltage value $\pm 10\%$, in range $\pm 5\%$.



PERFORMANCE TABLE

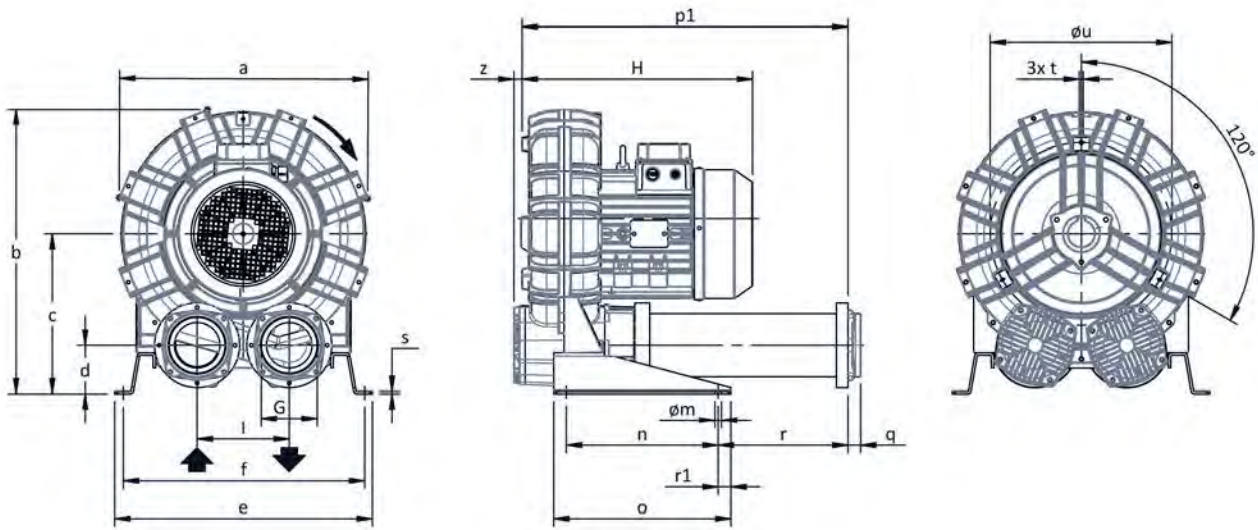
P _n [kW]	Frequency [Hz]	Δ p _{max} [mbar]		Q _{max} [m ³ /h]	Leq ¹ [dB(A)]	Weight [kg]	H ³ [mm]	Current Consumption (Y / Δ) [A]		Cosφ [-]	Speed [rpm]
		Suction	Compression					IE2 ²	Range		
13	60	425	425	570	81.9	109	505	12.2 / 21.2	13.8-12.4 / 23.9-21.4	0.84	3530
15	50	-	650	472	79.6	126	580	16.46 / 28.51	17.8-16.6 / 30.8-28.8	0.84	2940
17	60	-	550	570	81.9	126	580	15.7 / 27.2	18.1-15.6 / 31.3-27.1	0.86	3540

1. Noise level measured at a distance of 1 m with ducted intake and delivery, in accordance with Standard ISO 3744.
2. IE2 only at 50Hz.
3. See figure "dimensions" at following page.



Tolerance on indicated values $\pm 10\%$.
Data subject to change without notice.
Curves referring to air at a temperature of 20 °C and atmospheric pressure of 1013 mbar (abs).

DIMENSIONS



NOT Binding
 Dimensions in mm

a	b	c	d	d1	e	f	G	l	l1	l2	m	n	o	p1	p2	q	r	r1	s	t	u	v	w	x	y	z
548	606	332	91	-	540	508	G 4"	200	-	-	13	300	350	657	-	25	262	25	5	M8	390	-	-	-	-	13

INSTALLATION

- For proper operation of the machine, it must be provided with a suction FILTER and a vacuum/pressure limiting VALVE.
- Other accessories are available on request.
- Permissible ambient and fluid temperature in suction from -15 °C to +40 °C.
- Read the instruction manual carefully before installing the machine.

SIDE CHANNEL BLOWER • VERSION IE2

K05TS MOR

Technical characteristics

- Aluminium alloy construction
- Smooth operation
- Maintenance free

Electric motor

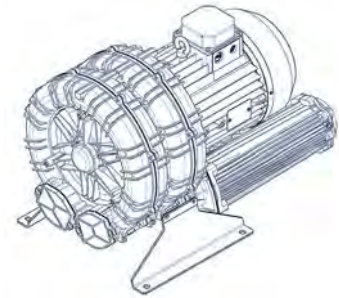
- Motors with IP55 protection rating
- Class F insulation, suitable for operating with inverter (refer to FPZ)
- Thermal Protector (PTO) as standard

Options

- Special voltages (IEC 60038)
- Surface treatments
- Increased seal version

	[V] (Δ / Y)	[Hz]
IE2	230 / 400	50
	265 / 460	60
Wide range	200 - 240 / 345 - 415	50
	220 - 280 / 380 - 480	60

Supply voltage - IE2 only at 50 Hz - Tolerance on the fixed voltage value $\pm 10\%$, in range $\pm 5\%$.



PERFORMANCE TABLE

P _n [kW]	Frequency [Hz]	Δ p _{max} [mbar]		Q _{max} [m ³ /h]	Leq ¹ [dB(A)]	Weight [kg]	H ³ [mm]	Current Consumption (Y / Δ) [A]		Cosφ [-]	Speed [rpm]
		Suction	Compression					IE2 ²	Range		
3.5	60	140	140	493	71.6	48	475	6.23 / 10.8	7.29-6.23 / 12.6-10.8	0.84	3515
4	50	225	250	408	69.6	49.5	495	8.12 / 14.05	8.80-8.26 / 15.2-14.3	0.82	2910
4.8	60	210	210	493	71.6	49.5	495	8.10 / 14.03	9.37-8.10 / 16.2-14.0	0.84	3480

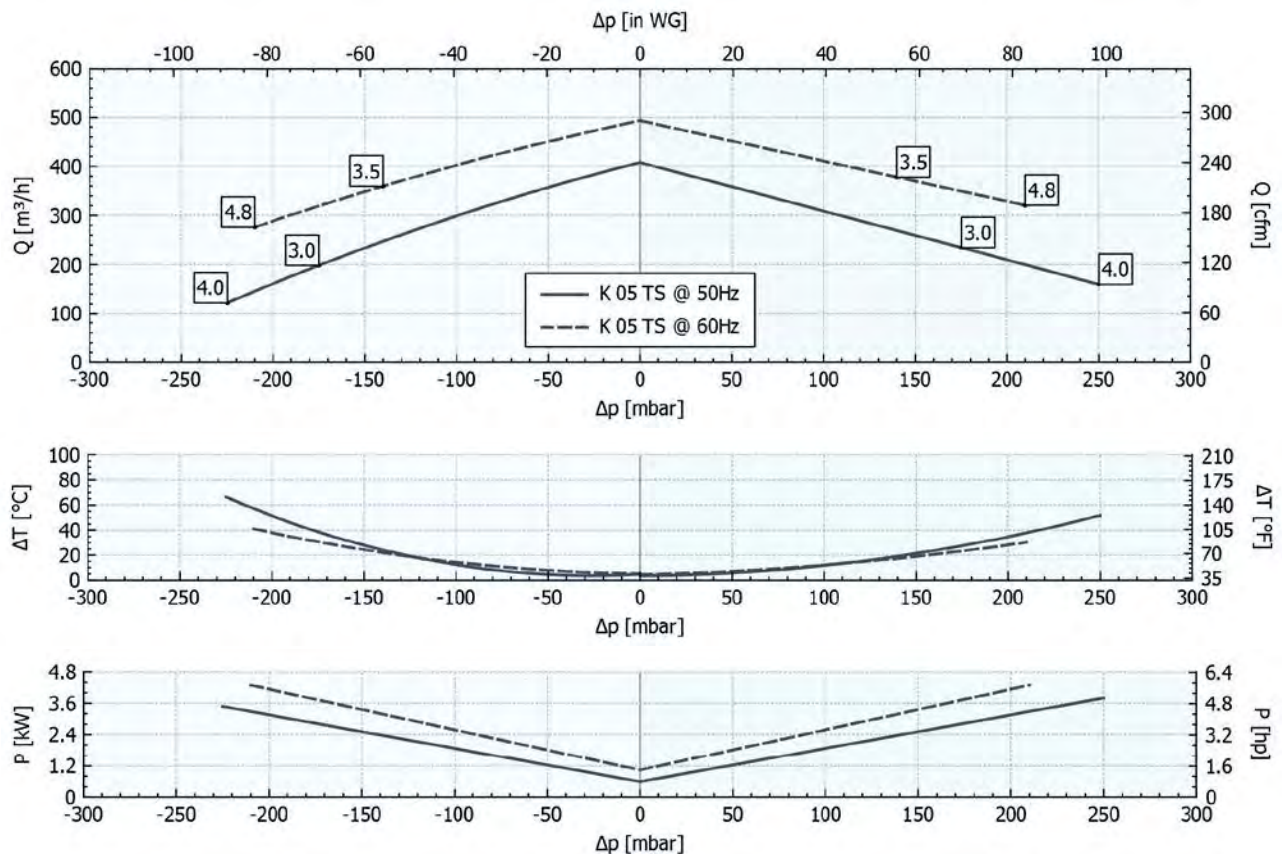
1. Noise level measured at a distance of 1 m with ducted intake and delivery, in accordance with Standard ISO 3744.

2. IE2 only at 50Hz.

3. See figure "dimensions" at following page.

SUCTION

COMPRESSION

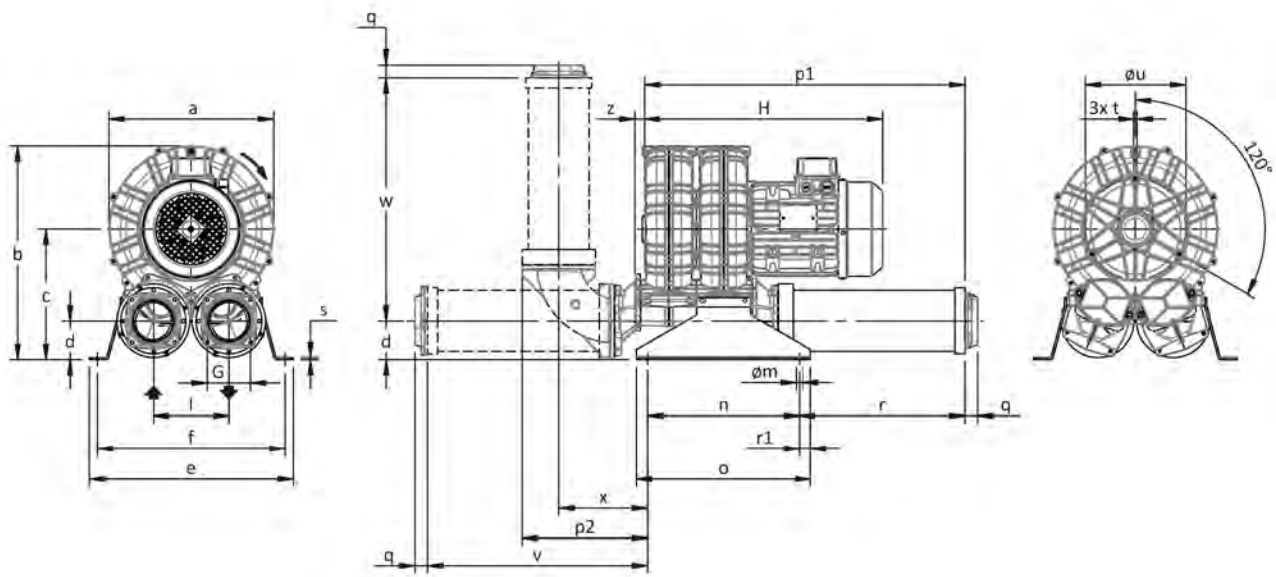


Tolerance on indicated values $\pm 10\%$.

Data subject to change without notice.

Curves referring to air at a temperature of 20 °C and atmospheric pressure of 1013 mbar (abs).

DIMENSIONS



NOT Binding
Dimensions in mm

a	b	c	d	d1	e	f	G	l	l1	l2	m	n	o	p1	p2	q	r	r1	s	t	u	v	w	x	y	z
327	422	258	77	-	404	374	G 3"	150	-	-	13	300	345	634	249	25	328	22.5	4	M8	200	436	481	176	-	19

INSTALLATION

- For proper operation of the machine, it must be provided with a suction FILTER and a vacuum/pressure limiting VALVE.
- Other accessories are available on request.
- Permissible ambient and fluid temperature in suction from -15 °C to +40 °C.
- Read the instruction manual carefully before installing the machine.

SIDE CHANNEL BLOWER • VERSION IE2

K05-66TS MOR

Technical characteristics

- Aluminium alloy construction
- Smooth operation
- Maintenance free

Electric motor

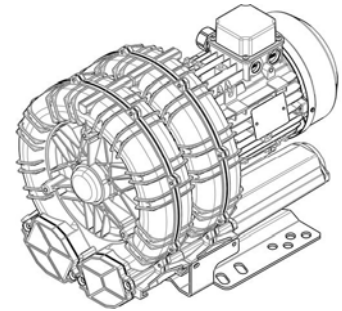
- Motors with IP55 protection rating
- Class F insulation, suitable for operating with inverter (refer to FPZ)
- Thermal Protector (PTO) as standard

Options

- Special voltages (IEC 60038)
- Surface treatments
- Increased seal version

	[V] (Δ / Y)	[Hz]
IE2	230 / 400	50
	265 / 460	60
Wide range	200 - 240 / 345 - 415	50
	220 - 280 / 380 - 480	60

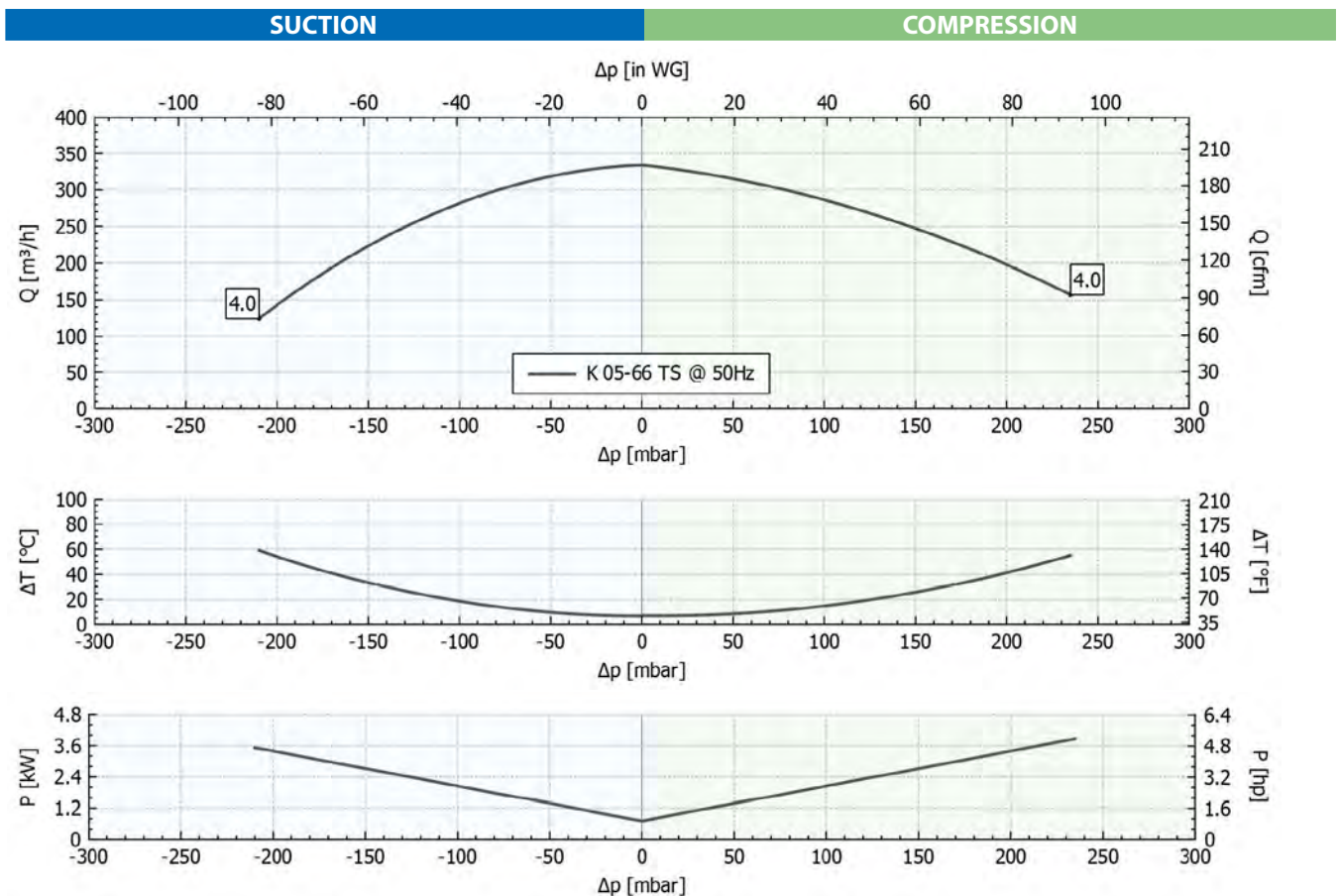
Supply voltage - IE2 only at 50 Hz - Tolerance on the fixed voltage value $\pm 10\%$, in range $\pm 5\%$.



PERFORMANCE TABLE

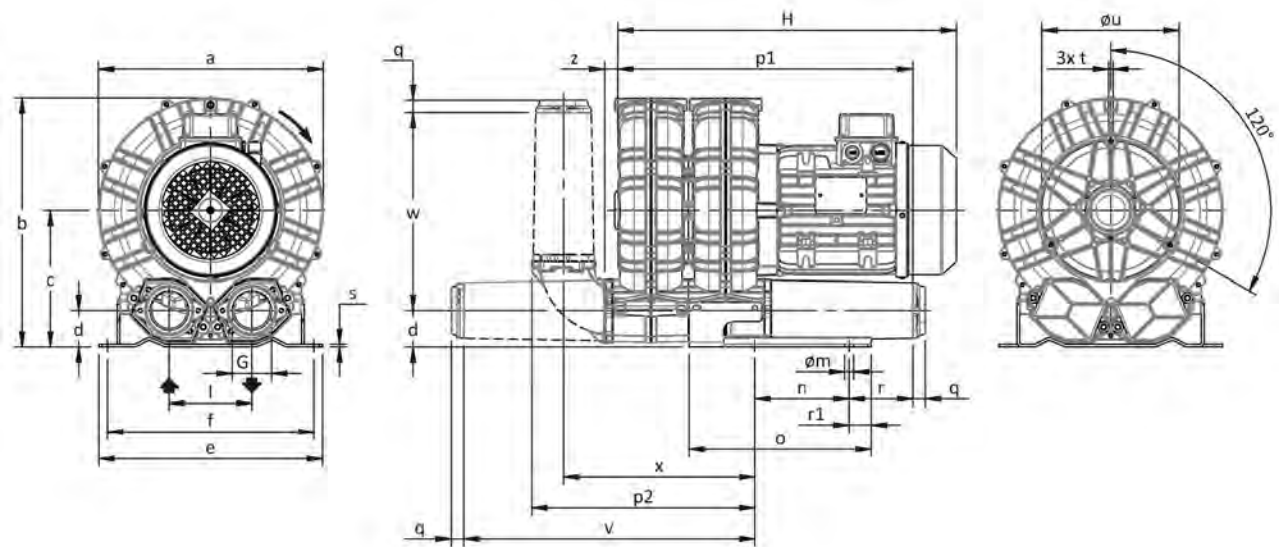
P _n [kW]	Frequency [Hz]	Δ p _{max} [mbar]		Q _{max} [m ³ /h]	Leq ¹ [dB(A)]	Weight [kg]	H ³ [mm]	Current Consumption (Y / Δ) [A]		Cosφ [-]	Speed [rpm]
		Suction	Compression					IE2 ²	Range		
4	50	210	235	334	74.5	45	495	8.12 / 14.05	8.80-8.26 / 15.2-14.3	0.82	2910

1. Noise level measured at a distance of 1 m with ducted intake and delivery, in accordance with Standard ISO 3744.
2. IE2 only at 50Hz.
3. See figure "dimensions" at following page.



Tolerance on indicated values $\pm 10\%$.
Data subject to change without notice.
Curves referring to air at a temperature of 20 °C and atmospheric pressure of 1013 mbar (abs).

DIMENSIONS



Configuration with a vertical silencer is only available with the CK accessory kit; for all assembly options refer to FPZ.

Dimensions in mm

NOT Binding

a	b	c	d	d1	e	f	G	l	l1	l2	m	n	o	p1	p2	q	r	r1	s	t	u	v	w	x	y	z
327	365	200	54	-	325	290	G 2"	102	-	-	12	140	265	428	340	18	85	19	4	M8	200	440	285	293	-	19

INSTALLATION

- For proper operation of the machine, it must be provided with a suction FILTER and a vacuum/pressure limiting VALVE.
- Other accessories are available on request.
- Permissible ambient and fluid temperature in suction from -15 °C to +40 °C.
- Read the instruction manual carefully before installing the machine.

SIDE CHANNEL BLOWER • VERSION IE2

K06TS MOR

Technical characteristics

- Aluminium alloy construction
- Smooth operation
- Maintenance free

Electric motor

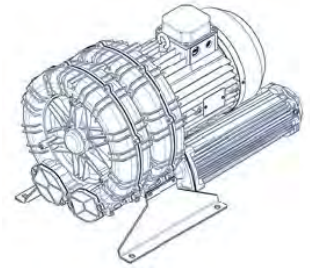
- Motors with IP55 protection rating
- Class F insulation, suitable for operating with inverter (refer to FPZ)
- Thermal Protector (PTO) as standard

Options

- Special voltages (IEC 60038)
- Surface treatments
- Increased seal version

	[V] (Δ / Y)		[Hz]
	≤ 4 kW	> 4 kW	
IE2	230 / 400	400 / 690	50
	265 / 460	460 / 795	60
Wide range	200-240 / 345-415	345-415 / 600-720	50
	220-280 / 380-480	380-480 / 660-830	60

Supply voltage - IE2 only at 50 Hz - Tolerance on the fixed voltage value ± 10%, in range ± 5%.



PERFORMANCE TABLE

P _n [kW]	Frequency [Hz]	Δ p _{max} [mbar]		Q _{max} [m ³ /h]	Leq ¹ [dB(A)]	Weight [kg]	H ³ [mm]	Current Consumption (Y / Δ) [A]		Cosφ [-]	Speed [rpm]
		Suction	Compression					IE2 ²	Range		
4	50	130	130	562	74.8	55.5	500	8.12 / 14.05	8.80-8.26 / 15.2-14.3	0.82	2910
4.8	60	100	100	679	76.8	55.5	500	8.10 / 14.03	9.37-8.10 / 16.2-14.0	0.84	3480
5.5	50	200	200	562	74.8	71.5	585	6.40 / 11.1	6.81-6.75 / 11.8-11.7	0.80	2940
6.5	60	175	175	679	76.8	71.5	585	6.38 / 11.1	7.21-6.47 / 12.5-11.2	0.84	3535
7.5	50	250	300	562	74.8	76.5	585	9.06 / 15.7	9.18-9.47 / 15.9-16.4	0.78	2940
9	60	250	275	679	76.8	76.5	585	8.86 / 15.34	9.87-9.00 / 17.1-15.6	0.83	3530

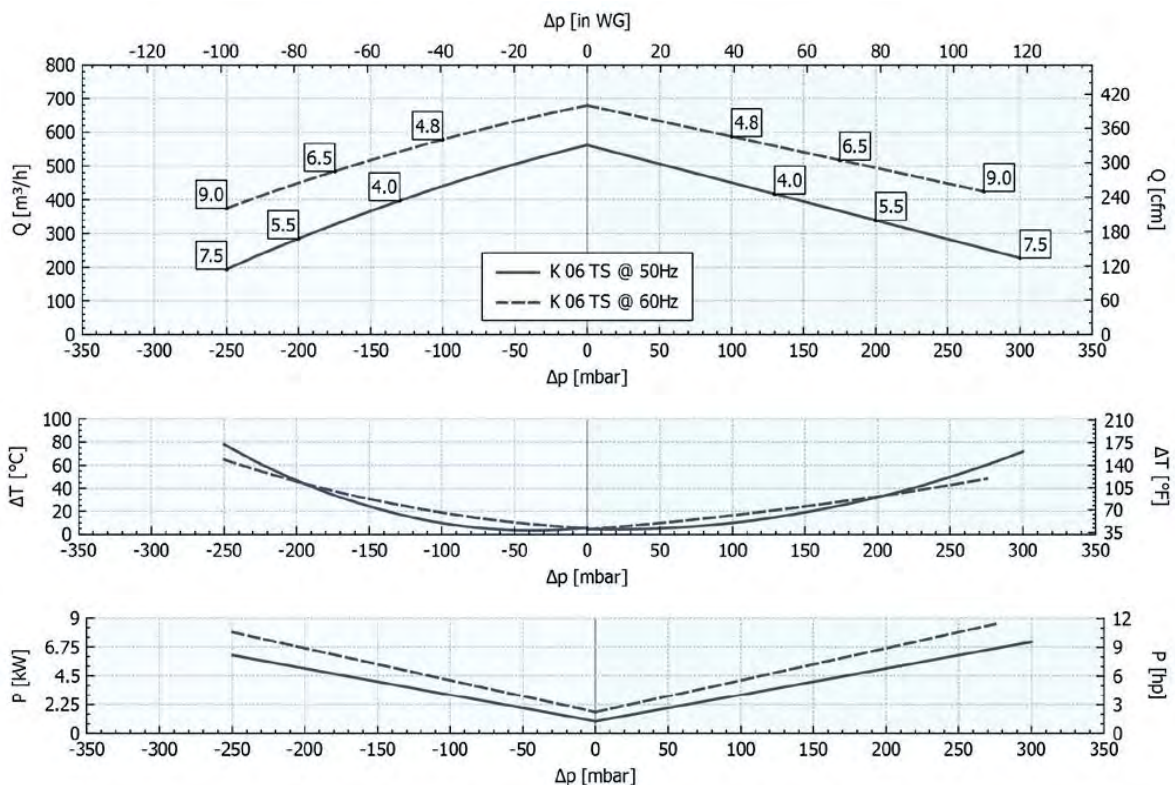
1. Noise level measured at a distance of 1 m with ducted intake and delivery, in accordance with Standard ISO 3744.

2. IE2 only at 50Hz.

3. See figure "dimensions" at following page.

SUCTION

COMPRESSION

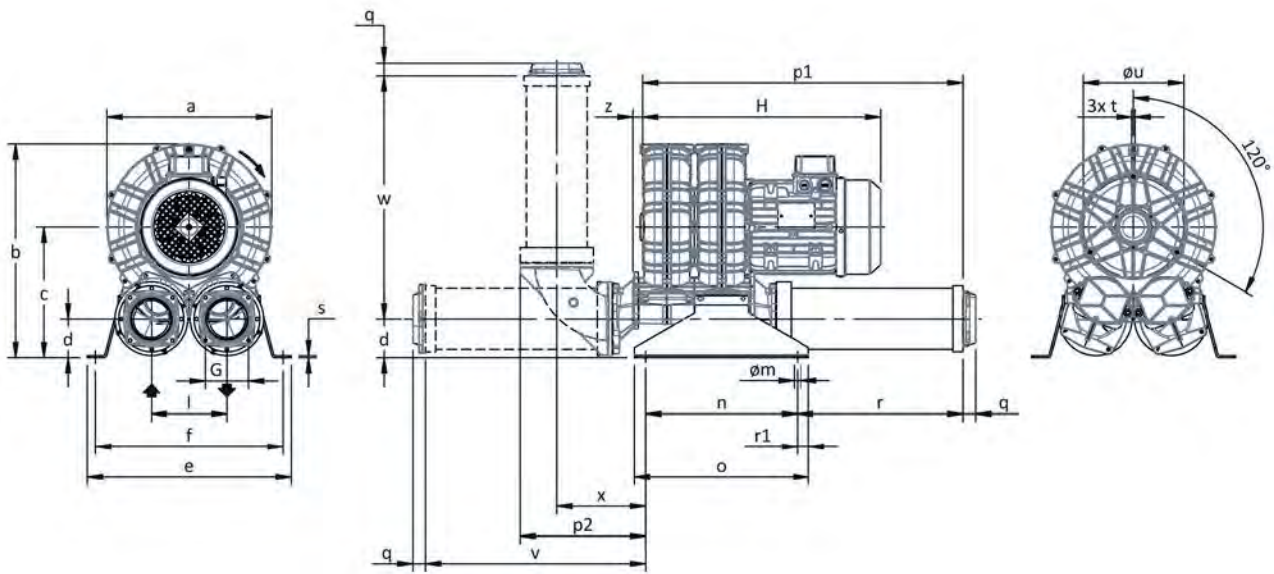


Tolerance on indicated values ± 10%.

Data subject to change without notice.

Curves referring to air at a temperature of 20 °C and atmospheric pressure of 1013 mbar (abs).

DIMENSIONS



NOT Binding
Dimensions in mm

a	b	c	d	d1	e	f	G	l	l1	l2	m	n	o	p1	p2	q	r	r1	s	t	u	v	w	x	y	z
376	455	267	75	-	404	374	G 3"	155	-	-	13	300	345	662	268	25	335	22.5	4	M8	240	455	481	195	-	19

INSTALLATION

- For proper operation of the machine, it must be provided with a suction FILTER and a vacuum/pressure limiting VALVE.
- Other accessories are available on request.
- Permissible ambient and fluid temperature in suction from -15 °C to +40 °C.
- Read the instruction manual carefully before installing the machine.

SIDE CHANNEL BLOWER • VERSION IE2

K07TS MOR

Technical characteristics

- Aluminium alloy construction
- Smooth operation
- Maintenance free

Electric motor

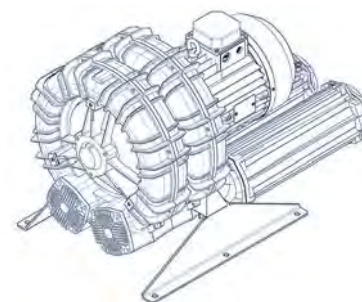
- Motors with IP55 protection rating
- Class F insulation, suitable for operating with inverter (refer to FPZ)
- Thermal Protector (PTO) as standard

Options

- Special voltages (IEC 60038)
- Surface treatments
- Increased seal version

	[V] (Δ / Y)	[Hz]
IE2	400 / 690	50
	460 / 795	60
Wide range	345 - 415 / 600 - 720	50
	380 - 480 / 660 - 830	60

Supply voltage - IE2 only at 50 Hz - Tolerance on the fixed voltage value $\pm 10\%$, in range $\pm 5\%$.



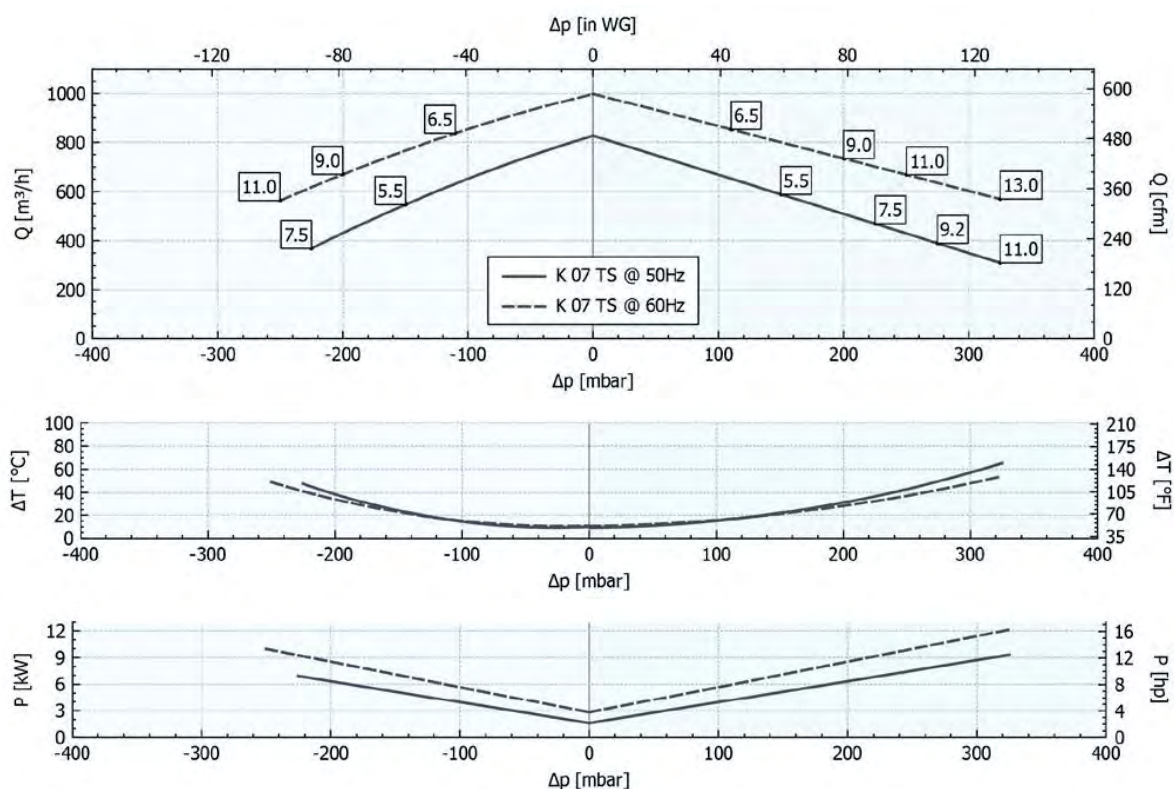
PERFORMANCE TABLE

P _n [kW]	Frequency [Hz]	Δ p _{max} [mbar]		Q _{max} [m ³ /h]	Leq ¹ [dB(A)]	Weight [kg]	H ³ [mm]	Current Consumption (Y / Δ) [A]		Cosφ [-]	Speed [rpm]
		Suction	Compression					IE2 ²	Range		
6.5	60	110	110	998	84.5	93.5	580	6.38 / 11.1	7.21-6.47 / 12.5-11.2	0.84	3535
7.5	50	225	225	827	82.5	98.5	580	9.06 / 15.7	9.18-9.47 / 15.9-16.4	0.78	2940
9	60	200	200	998	84.5	98.5	580	8.86 / 15.34	9.87-9.00 / 17.1-15.6	0.83	3530
9.2	50	-	275	827	82.5	103.5	620	10.3 / 17.8	11.1-10.6 / 19.2-18.3	0.83	2940
11	60	250	250	998	84.5	103.5	620	10.3 / 17.9	11.9-10.3 / 20.6-17.9	0.86	3530
11	50	-	325	827	82.5	110	620	12.53 / 21.7	13.0-12.9 / 22.6-22.3	0.81	2940
13	60	-	325	998	84.5	110	620	12.2 / 21.2	13.8-12.4 / 23.9-21.4	0.84	3530

1. Noise level measured at a distance of 1 m with ducted intake and delivery, in accordance with Standard ISO 3744.
2. IE2 only at 50Hz.
3. See figure "dimensions" at following page.

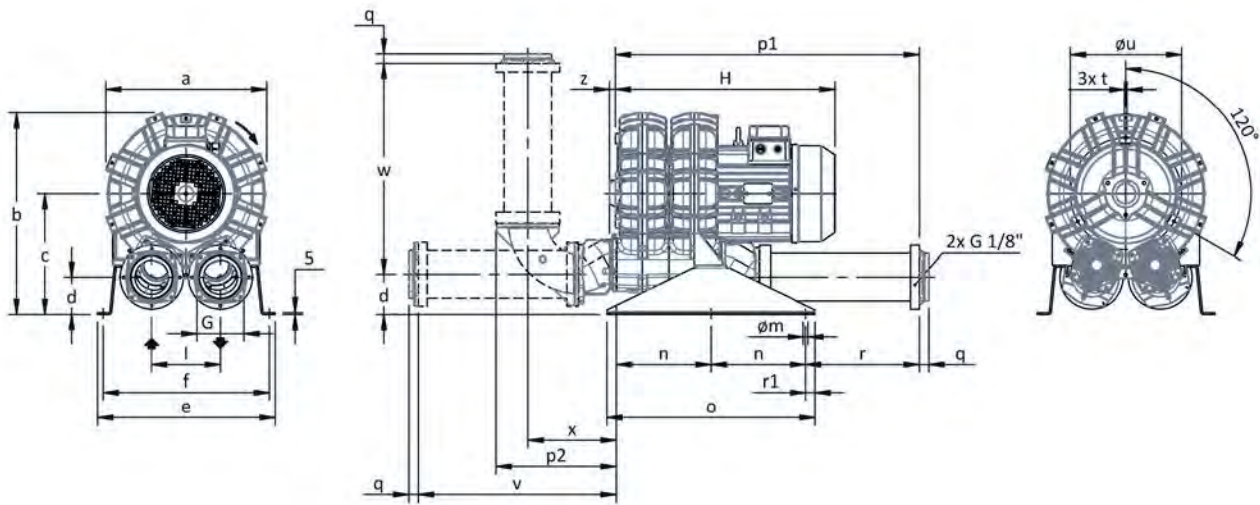
SUCTION

COMPRESSION



Tolerance on indicated values $\pm 10\%$.
 Data subject to change without notice.
 Curves referring to air at a temperature of 20 °C and atmospheric pressure of 1013 mbar (abs).

DIMENSIONS



NOT Binding
Dimensions in mm

a	b	c	d	d1	e	f	G	l	l1	l2	m	n	o	p1	p2	q	r	r1	s	t	u	v	w	x	y	z
424	531	319	98	-	470	438	G 4"	182	-	-	13	250	550	802	315	25	299	25	5	M8	295	522	581	276	-	16

INSTALLATION

- For proper operation of the machine, it must be provided with a suction FILTER and a vacuum/pressure limiting VALVE.
- Other accessories are available on request.
- Permissible ambient and fluid temperature in suction from -15 °C to +40 °C.
- Read the instruction manual carefully before installing the machine.

SIDE CHANNEL BLOWER • VERSION IE2

K08TS MOR

Technical characteristics

- Aluminium alloy construction
- Smooth operation
- Maintenance free

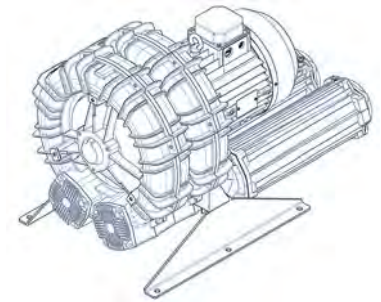
Electric motor

- Motors with IP55 protection rating
- Class F insulation, suitable for operating with inverter (refer to FPZ)
- Thermal Protector (PTO) as standard

Options

- Special voltages (IEC 60038)
- Surface treatments
- Increased seal version

	[V] (Δ / Y)	[Hz]
IE2	400 / 690	50
	460 / 795	60
Wide range	345 - 415 / 600 - 720	50
	380 - 480 / 660 - 830	60



Supply voltage - IE2 only at 50 Hz - Tolerance on the fixed voltage value $\pm 10\%$, in range $\pm 5\%$.

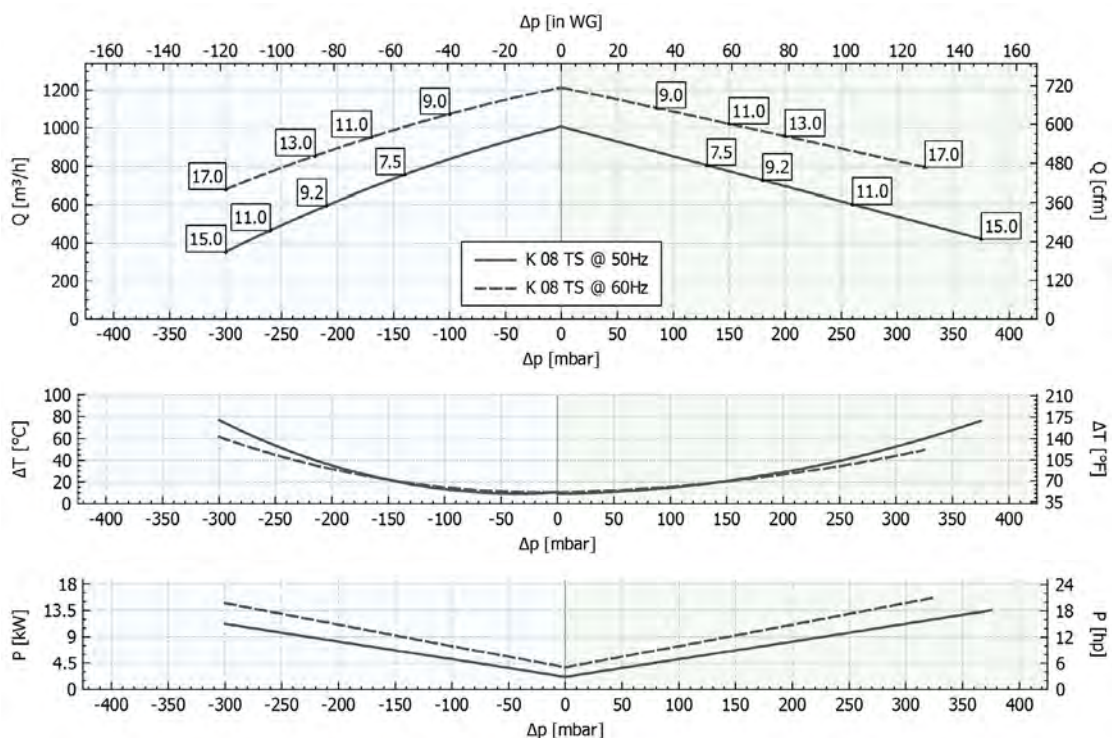
PERFORMANCE TABLE

P _n [kW]	Frequency [Hz]	Δp_{max} [mbar]		Q _{max} [m ³ /h]	Leq ¹ [dB(A)]	Weight [kg]	H ³ [mm]	Current Consumption (Y / Δ) [A]		Cosφ [-]	Speed [rpm]
		Suction	Compression					IE2 ²	Range		
7.5	50	140	130	1006	78.9	104	580	9.06 / 15.7	9.18-9.47 / 15.9-16.4	0.78	2940
9	60	100	85	1214	80.9	104	580	8.86 / 15.34	9.87-9.00 / 17.1-15.6	0.83	3530
9.2	50	210	180	1006	78.9	109	620	10.3 / 17.8	11.1-10.6 / 19.2-18.3	0.83	2940
11	60	170	150	1214	80.9	115.5	620	10.3 / 17.9	11.9-10.3 / 20.6-17.9	0.86	3530
11	50	260	260	1006	78.9	115.5	620	12.53 / 21.7	13.0-12.9 / 22.6-22.3	0.81	2940
13	60	220	200	1214	80.9	115.5	620	12.2 / 21.2	13.8-12.4 / 23.9-21.4	0.84	3530
15	50	300	375	1006	78.9	133	695	16.46 / 28.51	17.8-16.6 / 30.8-28.8	0.84	2940
17	60	300	325	1214	80.9	133	695	15.7 / 27.2	18.1-15.6 / 31.3-27.1	0.86	3540

1. Noise level measured at a distance of 1 m with ducted intake and delivery, in accordance with Standard ISO 3744.
 2. IE2 only at 50Hz.
 3. See figure "dimensions" at following page.

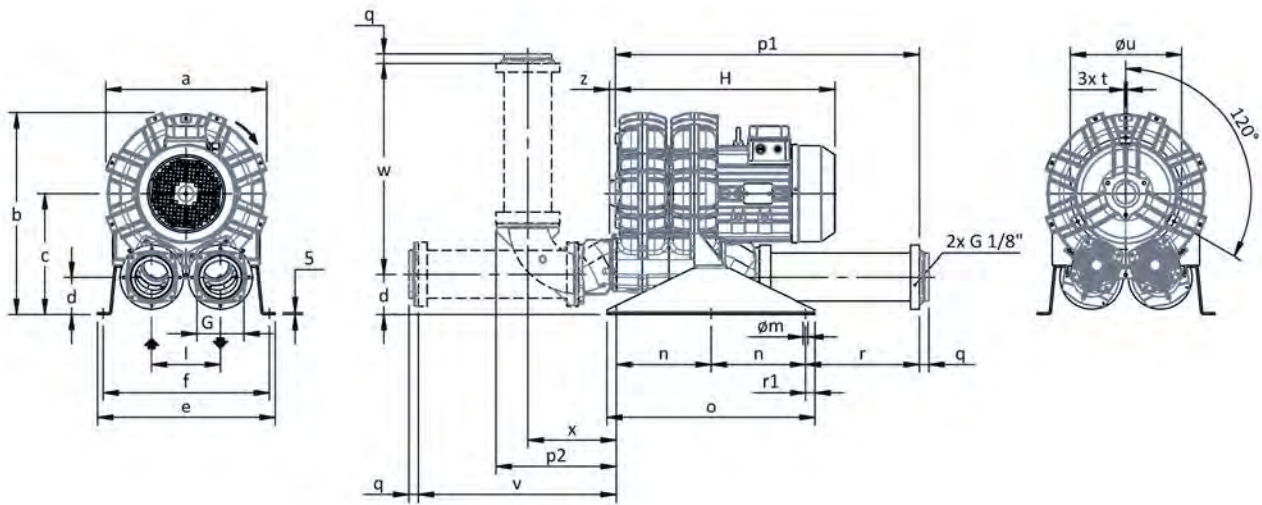
SUCTION

COMPRESSION



Tolerance on indicated values $\pm 10\%$.
 Data subject to change without notice.
 Curves referring to air at a temperature of 20 $^{\circ}C$ and atmospheric pressure of 1013 mbar (abs).

DIMENSIONS



NOT Binding
Dimensions in mm

a	b	c	d	d1	e	f	G	l	l1	l2	m	n	o	p1	p2	q	r	r1	s	t	u	v	w	x	y	z
457	548	319	98	-	480	448	G 4"	182	-	-	13	250	550	802	315	25	299	25	5	M8	310	522	581	276	-	16

INSTALLATION

- For proper operation of the machine, it must be provided with a suction FILTER and a vacuum/pressure limiting VALVE.
- Other accessories are available on request.
- Permissible ambient and fluid temperature in suction from -15 °C to +40 °C.
- Read the instruction manual carefully before installing the machine.

SIDE CHANNEL BLOWER • VERSION IE2

K09TS MOR

Technical characteristics

- Aluminium alloy construction
- Smooth operation
- Maintenance free

Electric motor

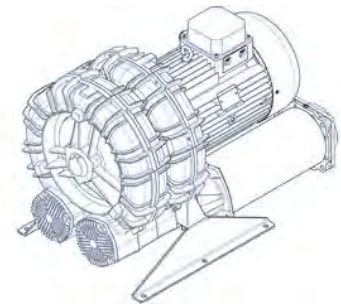
- Motors with IP55 protection rating
- Class F insulation, suitable for operating with inverter (refer to FPZ)
- Thermal Protector (PTO) as standard

Options

- Special voltages (IEC 60038)
- Surface treatments
- Increased seal version

	[V] (Δ / Y)	[Hz]
IE2	400 / 690	50
	460 / 795	60
Wide range	345 - 415 / 600 - 720	50
	380 - 480 / 660 - 830	60

Supply voltage - IE2 only at 50 Hz - Tolerance on the fixed voltage value $\pm 10\%$, in range $\pm 5\%$.



PERFORMANCE TABLE

P _n [kW]	Frequency [Hz]	Δ p _{max} [mbar]		Q _{max} [m ³ /h]	Leq ¹ [dB(A)]	Weight [kg]	H ³ [mm]	Current Consumption (Y / Δ) [A]		Cosφ [-]	Speed [rpm]
		Suction	Compression					IE2 ²			
								IE2 ²	Range		
11	50	190	190	1325	80.1	136.5	650	12.53 / 21.7	13.0-12.9 / 22.6-22.3	0.81	2940
13	60	150	150	1599	82.1	136.5	650	12.2 / 21.2	13.8-12.4 / 23.9-21.4	0.84	3530
15	50	250	250	1325	80.1	157	727	16.46 / 28.51	17.8-16.6 / 30.8-28.8	0.84	2940
17	60	200	200	1599	82.1	157	727	15.7 / 27.2	18.1-15.6 / 31.3-27.1	0.86	3540
18.5	50	300	350	1325	80.1	176.5	785	20.7 / 35.9	21.7-21.7 / 37.6-37.5	0.81	2950
22	60	250	250	1599	82.1	176.5	785	20.4 / 35.4	23.3-20.7 / 40.3-35.9	0.85	3550

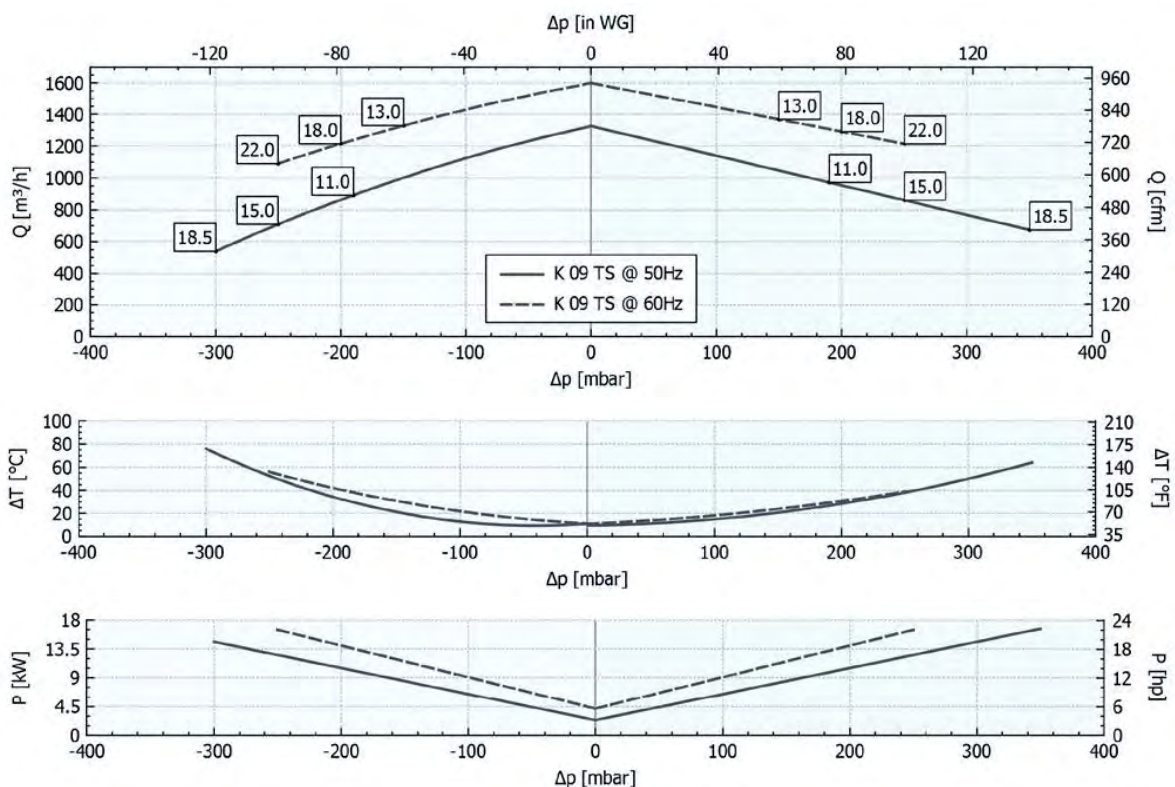
1. Noise level measured at a distance of 1 m with ducted intake and delivery, in accordance with Standard ISO 3744.

2. IE2 only at 50Hz.

3. See figure "dimensions" at following page.

SUCTION

COMPRESSION

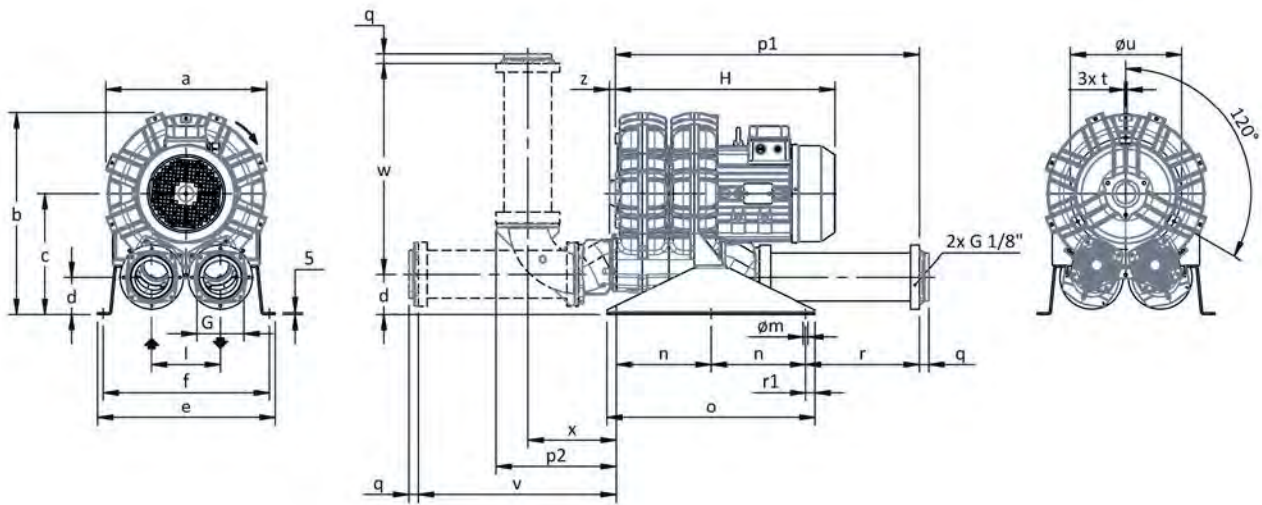


Tolerance on indicated values $\pm 10\%$.

Data subject to change without notice.

Curves referring to air at a temperature of 20 °C and atmospheric pressure of 1013 mbar (abs).

DIMENSIONS



NOT Binding
Dimensions in mm

a	b	c	d	d1	e	f	G	l	l1	l2	m	n	o	p1	p2	q	r	r1	s	t	u	v	w	x	y	z
492	610	365	112	-	510	478	G 5"	210	-	-	13	250	550	850	447	35	315	25	5	M8	360	558	608	337	-	16

INSTALLATION

- For proper operation of the machine, it must be provided with a suction FILTER and a vacuum/pressure limiting VALVE.
- Other accessories are available on request.
- Permissible ambient and fluid temperature in suction from -15 °C to +40 °C.
- Read the instruction manual carefully before installing the machine.

SIDE CHANNEL BLOWER • VERSION IE2

K10TS MOR

Technical characteristics

- Aluminium alloy construction
- Smooth operation
- Maintenance free

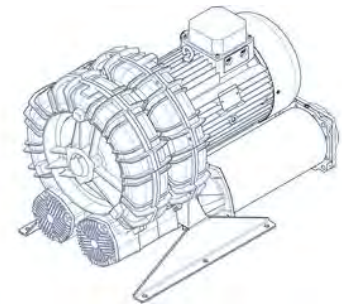
Electric motor

- Motors with IP55 protection rating
- Class F insulation, suitable for operating with inverter (refer to FPZ)
- Thermal Protector (PTO) as standard

Options

- Special voltages (IEC 60038)
- Surface treatments
- Increased seal version

	[V] (Δ / Y)	[Hz]
IE2	400 / 690	50
	460 / 795	60
Wide range	345 - 415 / 600 - 720	50
	380 - 480 / 660 - 830	60



Supply voltage - IE2 only at 50 Hz - Tolerance on the fixed voltage value $\pm 10\%$, in range $\pm 5\%$.

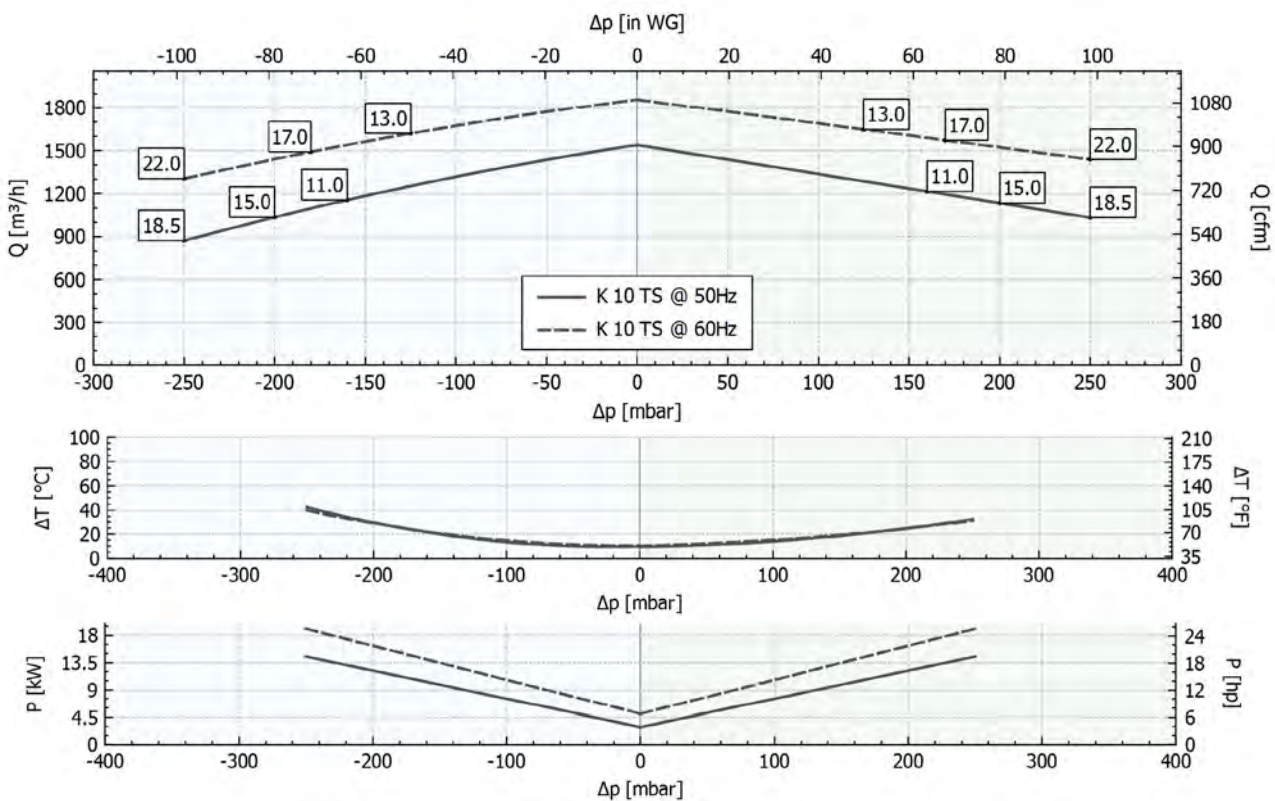
PERFORMANCE TABLE

P _n [kW]	Frequency [Hz]	Δp_{max} [mbar]		Q _{max} [m ³ /h]	Leq ¹ [dB(A)]	Weight [kg]	H ³ [mm]	Current Consumption (Y / Δ) [A]		Cosφ [-]	Speed [rpm]
		Suction	Compression					IE2 ²	Range		
11	50	160	160	1539	87.1	139.5	650	12.53 / 21.7	13.0-12.9 / 22.6-22.3	0.81	2940
13	60	125	125	1857	89.1	139.5	650	12.2 / 21.2	13.8-12.4 / 23.9-21.4	0.84	3530
15	50	200	200	1539	87.1	160	727	16.46 / 28.51	17.8-16.6 / 30.8-28.8	0.84	2940
17	60	180	170	1857	89.1	160	727	15.7 / 27.2	18.1-15.6 / 31.3-27.1	0.86	3540
18.5	50	250	250	1539	87.1	179.5	785	20.7 / 35.9	21.7-21.7 / 37.6-37.5	0.81	2950
22	60	250	250	1857	89.1	179.5	785	20.4 / 35.4	23.3-20.7 / 40.3-35.9	0.85	3550

1. Noise level measured at a distance of 1 m with ducted intake and delivery, in accordance with Standard ISO 3744.
2. IE2 only at 50Hz.
3. See figure "dimensions" at following page.

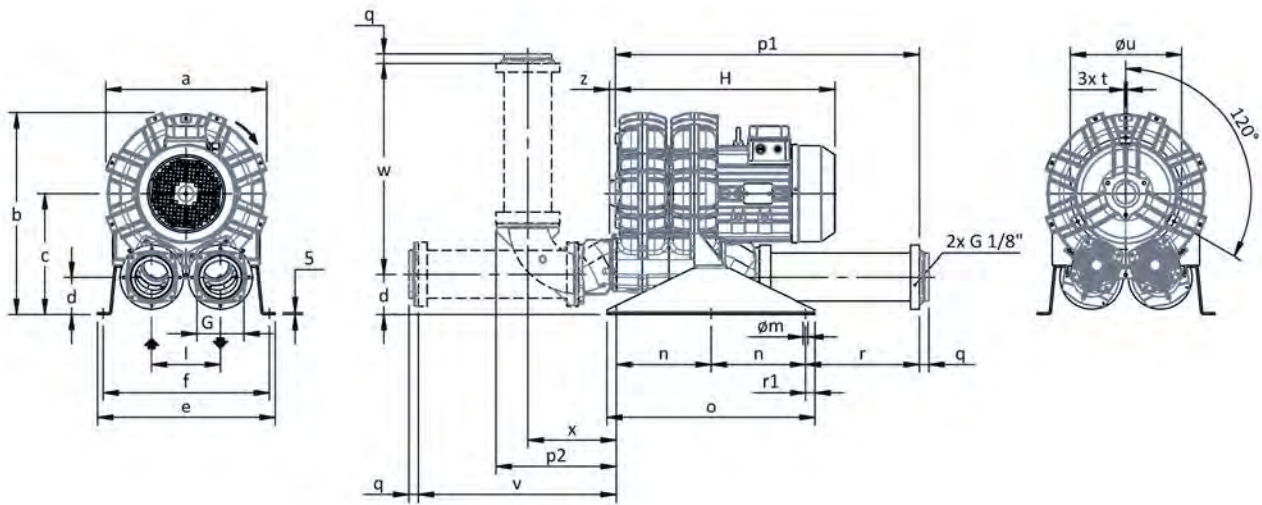
SUCTION

COMPRESSION



Tolerance on indicated values $\pm 10\%$.
 Data subject to change without notice.
 Curves referring to air at a temperature of 20 °C and atmospheric pressure of 1013 mbar (abs).

DIMENSIONS



NOT Binding
Dimensions in mm

a	b	c	d	d1	e	f	G	l	l1	l2	m	n	o	p1	p2	q	r	r1	s	t	u	v	w	x	y	z
516	623	365	112	-	510	478	G 5"	210	-	-	13	250	550	850	447	35	315	25	5	M8	360	558	608	337	-	16

INSTALLATION

- For proper operation of the machine, it must be provided with a suction FILTER and a vacuum/pressure limiting VALVE.
- Other accessories are available on request.
- Permissible ambient and fluid temperature in suction from -15 °C to +40 °C.
- Read the instruction manual carefully before installing the machine.

SIDE CHANNEL BLOWER • VERSION IE2

K11TS MOR

Technical characteristics

- Aluminium alloy construction
- Smooth operation
- Maintenance free

Electric motor

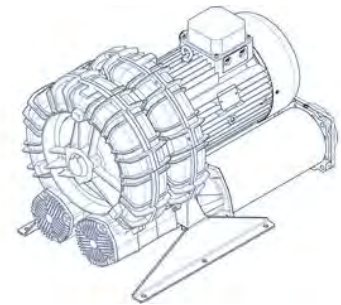
- Motors with IP55 protection rating
- Class F insulation, suitable for operating with inverter (refer to FPZ)
- Thermal Protector (PTO) as standard

Options

- Special voltages (IEC 60038)
- Surface treatments
- Increased seal version

	[V] (Δ / Y)	[Hz]
IE2	400 / 690	50
	460 / 795	60
Wide range	345 - 415 / 600 - 720	50
	380 - 480 / 660 - 830	60

Supply voltage - IE2 only at 50 Hz - Tolerance on the fixed voltage value $\pm 10\%$, in range $\pm 5\%$.



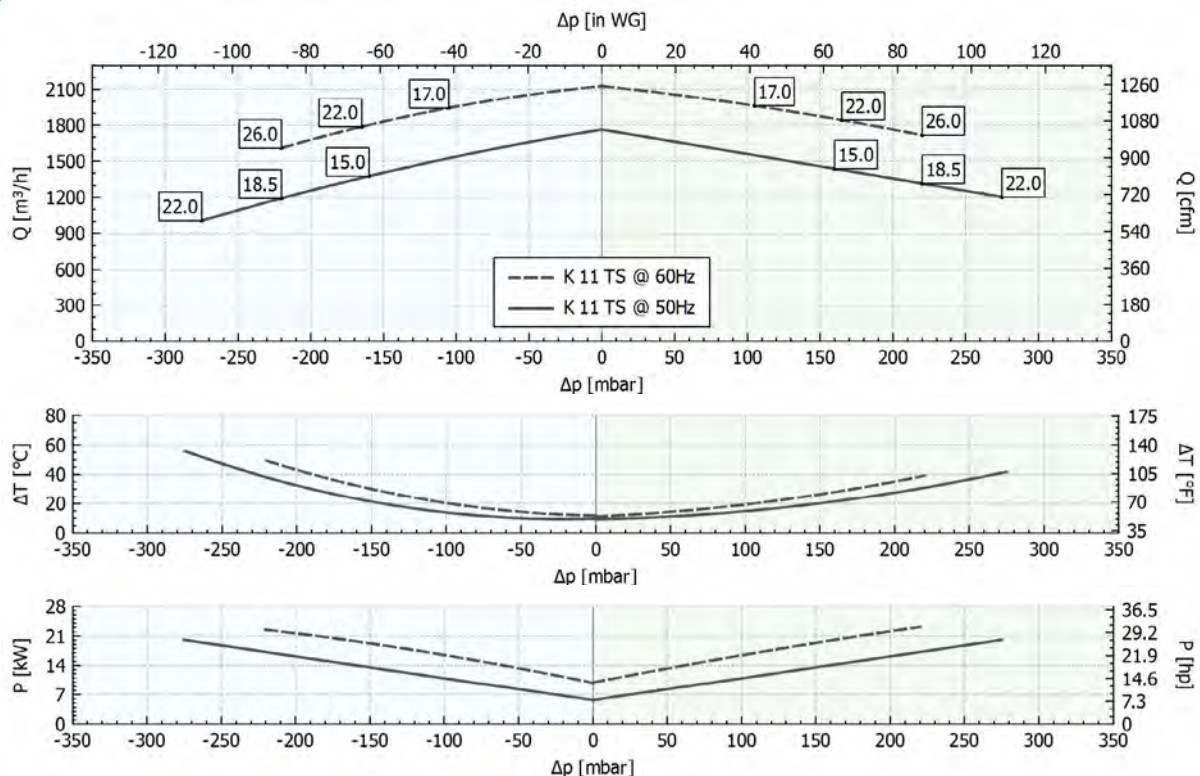
PERFORMANCE TABLE

P _n [kW]	Frequency [Hz]	Δ p _{max} [mbar]		Q _{max} [m ³ /h]	Leq ¹ [dB(A)]	Weight [kg]	H ³ [mm]	Current Consumption (Y / Δ) [A]		Cosφ [-]	Speed [rpm]
		Suction	Compression					IE2 ²			
								IE2 ²	Range		
15	50	160	160	1764	87.3	185.5	755	16.25 / 28.14	17.7-16.5 / 30.6-28.6	0.84	2950
18	60	105	105	2129	90.0	185.5	755	15.6 / 27.0	18.2-15.5 / 31.6-26.8	0.87	3550
18.5	50	220	220	1764	87.3	193	800	20.7 / 35.9	21.7-21.7 / 37.6-37.5	0.81	2950
22	60	165	165	2129	90.0	193	800	20.4 / 35.4	23.3-20.7 / 40.3-35.9	0.85	3550
22 ⁴	50	275	275	1764	87.3	200	800	24.5 / 42.5	25.7-25.2 / 44.5-43.7	0.81	2940
26 ⁴	60	220	220	2129	90	200	800	24.0 / 41.6	27.2-24.2 / 47.1-42.0	0.85	3540

1. Noise level measured at a distance of 1 m with ducted intake and delivery, in accordance with Standard ISO 3744.
 2. IE2 only at 50Hz.
 3. See figure "dimensions" at following page.

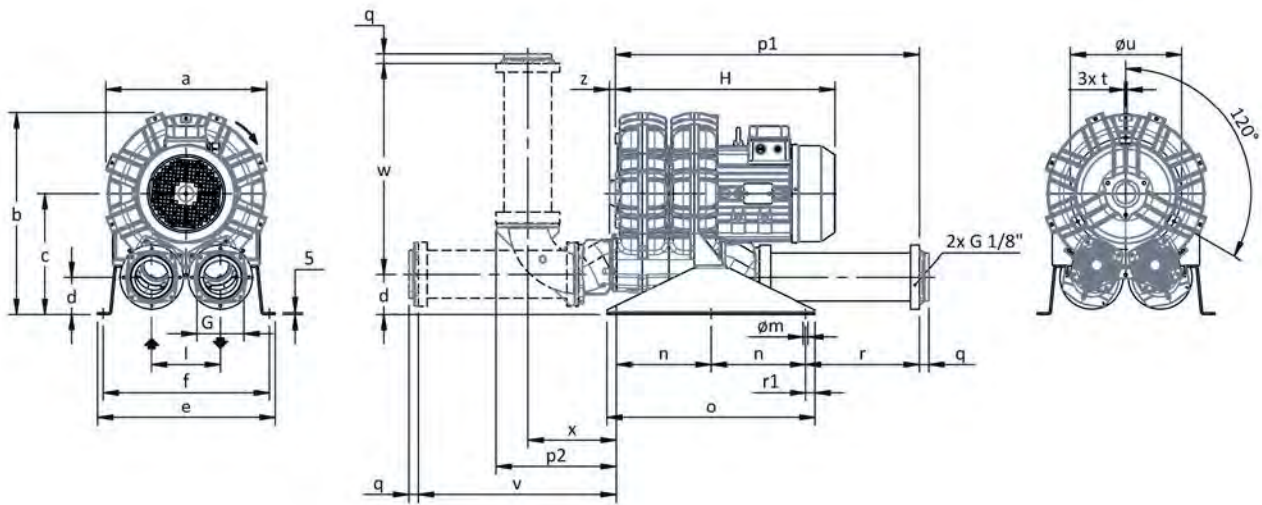
SUCTION

COMPRESSION



Tolerance on indicated values $\pm 10\%$.
 Data subject to change without notice.
 Curves referring to air at a temperature of 20 °C and atmospheric pressure of 1013 mbar (abs).

DIMENSIONS



NOT Binding
Dimensions in mm

a	b	c	d	d1	e	f	G	l	l1	l2	m	n	o	p1	p2	q	r	r1	s	t	u	v	w	x	y	z
542	650	380	106	-	540	508	G 5"	228	-	-	13	250	550	870	462	35	320	25	5	M8	390	573	608	352	-	16

INSTALLATION

- For proper operation of the machine, it must be provided with a suction FILTER and a vacuum/pressure limiting VALVE.
- Other accessories are available on request.
- Permissible ambient and fluid temperature in suction from -15 °C to +40 °C.
- Read the instruction manual carefully before installing the machine.

SIDE CHANNEL BLOWER • VERSION IE2

K12TS MOR

Technical characteristics

- Aluminium alloy construction
- Smooth operation
- Maintenance free

Electric motor

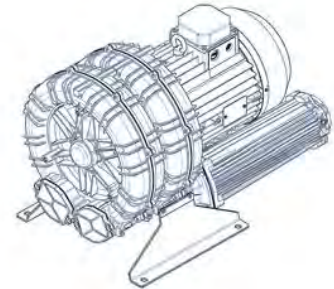
- Motors with IP55 protection rating
- Class F insulation, suitable for operating with inverter (refer to FPZ)
- Thermal Protector (PTO) as standard

Options

- Special voltages (IEC 60038)
- Surface treatments
- Increased seal version

	[V] (Δ / Y)	[Hz]
IE2	400 / 690	50
	460 / 795	60
Wide range	345 - 415 / 600 - 720	50
	380 - 480 / 660 - 830	60

Supply voltage - IE2 only at 50 Hz - Tolerance on the fixed voltage value $\pm 10\%$, in range $\pm 5\%$.



PERFORMANCE TABLE

P _n [kW]	Frequency [Hz]	Δp_{max} [mbar]		Q _{max} [m ³ /h]	Leq ¹ [dB(A)]	Weight [kg]	H ³ [mm]	Current Consumption (Y / Δ) [A]		Cos ϕ [-]	Speed [rpm]
		Suction	Compression					IE2 ²	Range		
18.5	50	150	150	1985	89.3	193	815	20.7 / 35.9	21.7-21.7 / 37.6-37.5	0.81	2950
22	50	200	200	1985	89.3	200	815	24.5 / 42.5	25.7-25.2 / 44.5-43.7	0.81	2940
26	60	140	140	2382	91.3	200	815	24.0 / 41.6	27.2-24.2 / 47.1-42.0	0.85	3540

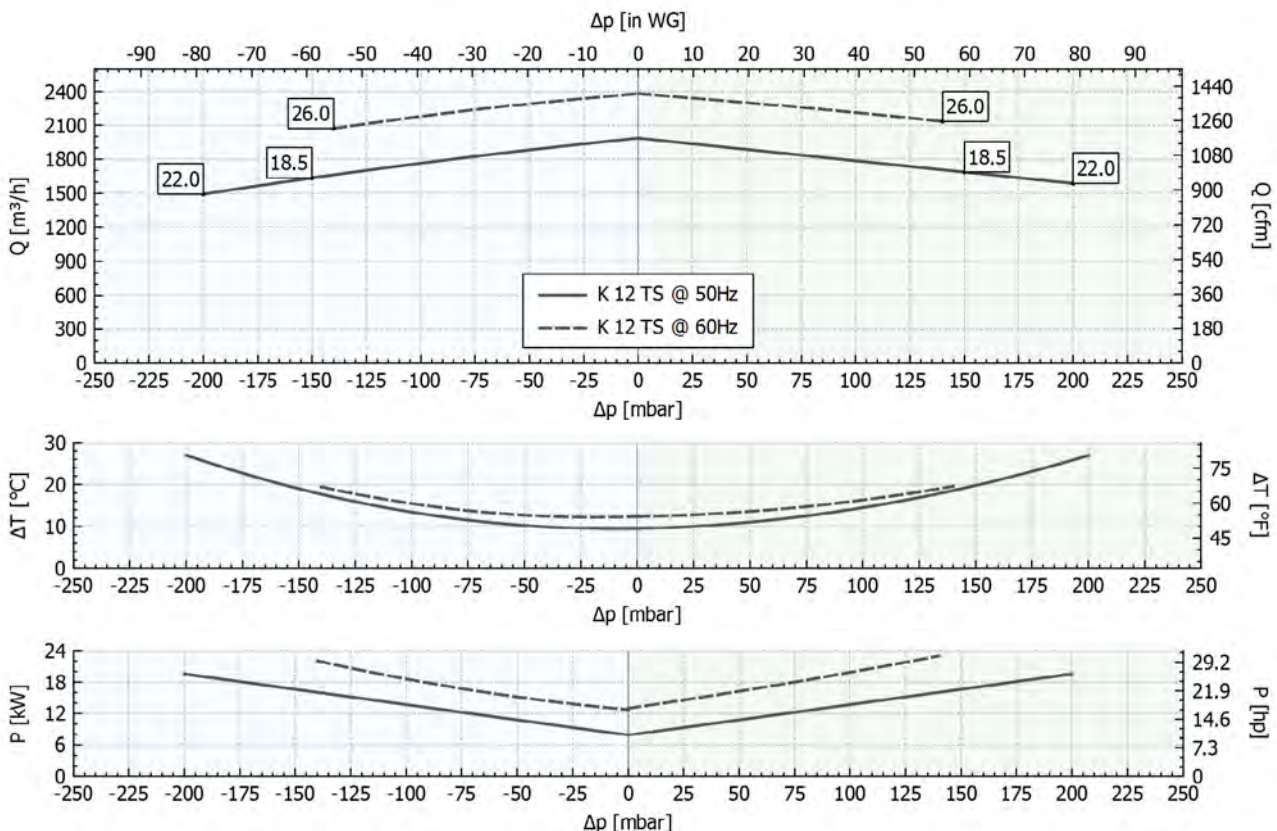
1. Noise level measured at a distance of 1 m with ducted intake and delivery, in accordance with Standard ISO 3744.

2. IE2 only at 50Hz.

3. See figure "dimensions" at following page.

SUCTION

COMPRESSION

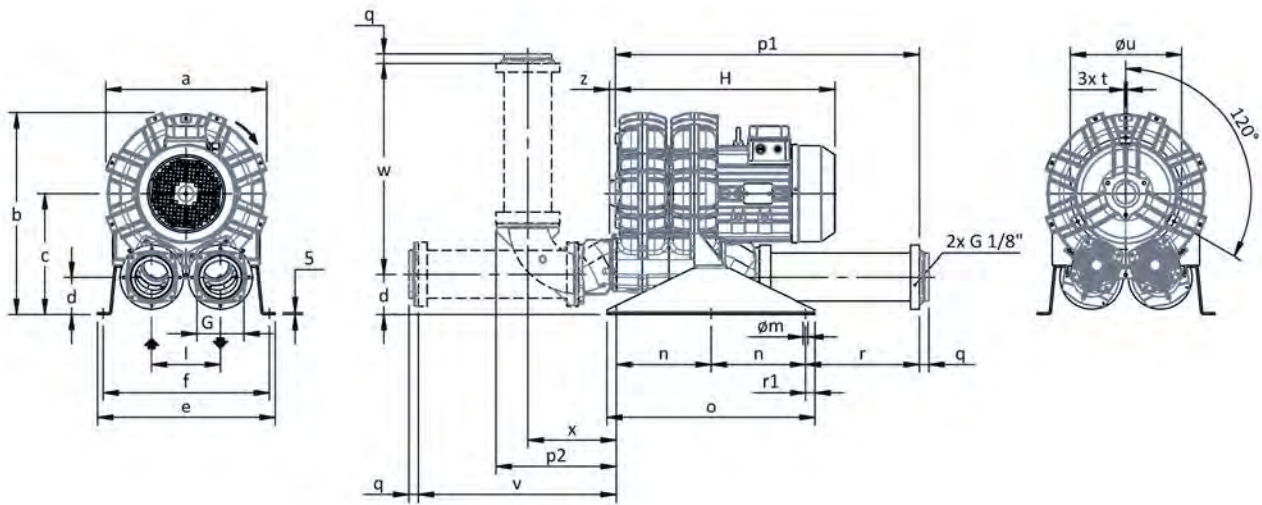


Tolerance on indicated values $\pm 10\%$.

Data subject to change without notice.

Curves referring to air at a temperature of 20 °C and atmospheric pressure of 1013 mbar (abs).

DIMENSIONS



NOT Binding
Dimensions in mm

a	b	c	d	d1	e	f	G	l	l1	l2	m	n	o	p1	p2	q	r	r1	s	t	u	v	w	x	y	z
548	653	380	106	-	540	508	G 5"	228	-	-	13	250	550	883	462	35	320	25	5	M8	390	573	608	352	-	13

INSTALLATION

- For proper operation of the machine, it must be provided with a suction FILTER and a vacuum/pressure limiting VALVE.
- Other accessories are available on request.
- Permissible ambient and fluid temperature in suction from -15 °C to +40 °C.
- Read the instruction manual carefully before installing the machine.

SIDE CHANNEL BLOWER • VERSION IE2

K04TD MOR

Technical characteristics

- Aluminium alloy construction
- Smooth operation
- Maintenance free

Electric motor

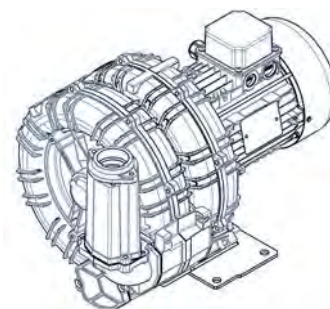
- Motors with IP55 protection rating
- Class F insulation, suitable for operating with inverter (refer to FPZ)
- Thermal Protector (PTO) as standard

Options

- Special voltages (IEC 60038)
- Surface treatments
- Increased seal version

	[V] (Δ / Y)	[Hz]
IE2	230 / 400	50
	265 / 460	60
Wide range	200 - 240 / 345 - 415	50
	220 - 280 / 380 - 480	60

Supply voltage - IE2 only at 50 Hz - Tolerance on the fixed voltage value $\pm 10\%$, in range $\pm 5\%$.



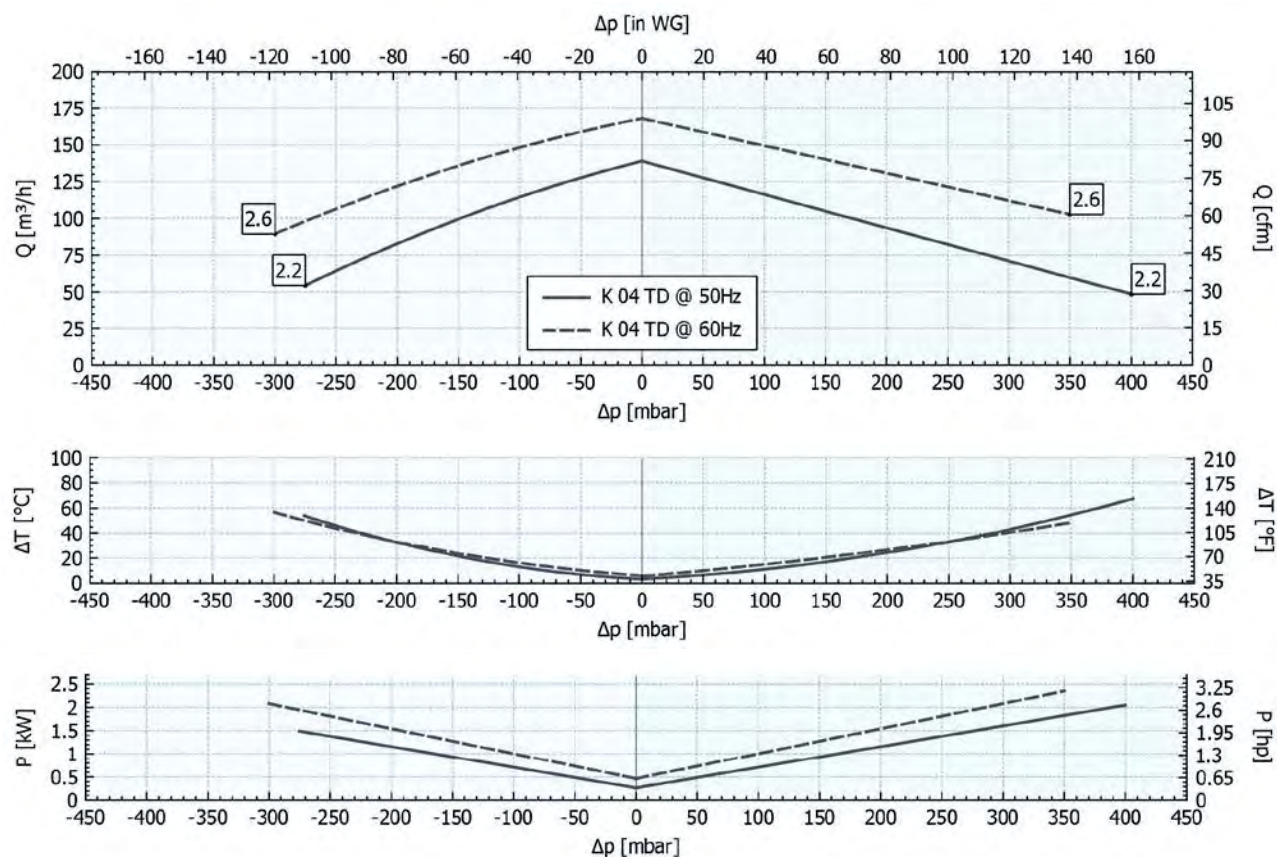
PERFORMANCE TABLE

P _n [kW]	Frequency [Hz]	Δ p _{max} [mbar]		Q _{max} [m ³ /h]	Leq ¹ [dB(A)]	Weight [kg]	H ³ [mm]	Current Consumption (Y / Δ) [A]		Cosφ [-]	Speed [rpm]
		Suction	Compression					IE2 ²	Range		
2.6	60	300	350	168	69.9	30.5	440	4.56 / 7.90	5.33-4.55 / 9.23-7.88	0.84	3485

1. Noise level measured at a distance of 1 m with ducted intake and delivery, in accordance with Standard ISO 3744.
2. IE2 only at 50Hz.
3. See figure "dimensions" at following page.

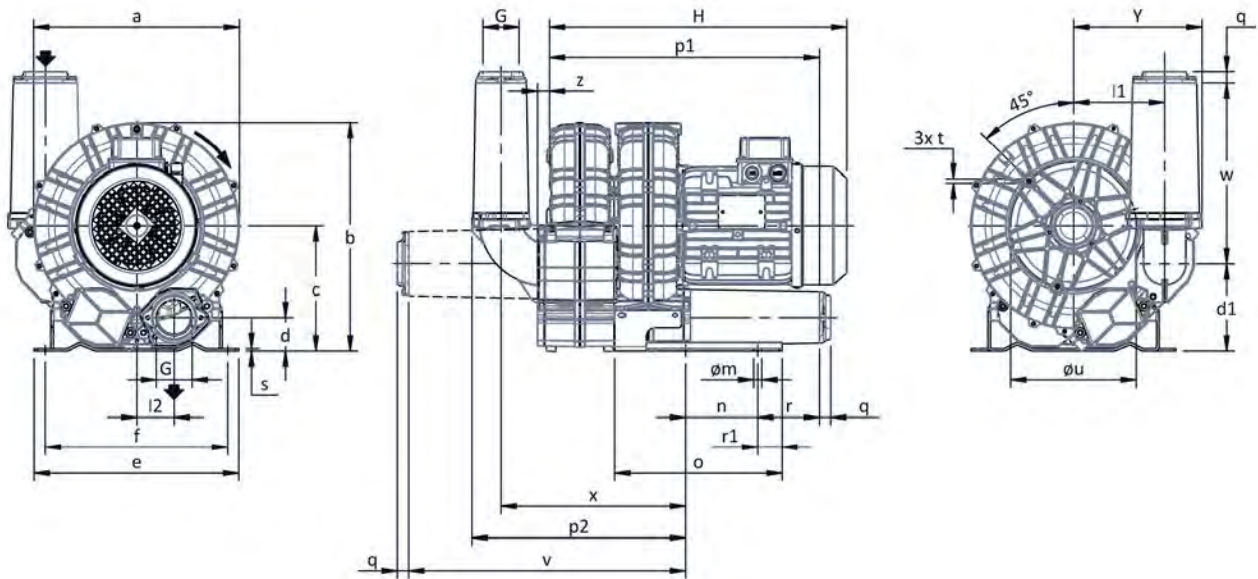
SUCTION

COMPRESSION



Tolerance on indicated values $\pm 10\%$.
 Data subject to change without notice.
 Curves referring to air at a temperature of 20 °C and atmospheric pressure of 1013 mbar (abs).

DIMENSIONS



NOT Binding
Dimensions in mm

a	b	c	d	d1	e	f	G	l	l1	l2	m	n	o	p1	p2	q	r	r1	s	t	u	v	w	x	y	z
285	315	172	49	121	255	225	G 1" 1/2	-	123	51	12	95	171	316	254	18	70	15	4	M6	175	288	188	214	173	18

INSTALLATION

- For proper operation of the machine, it must be provided with a suction FILTER and a vacuum/pressure limiting VALVE.
- Other accessories are available on request.
- Permissible ambient and fluid temperature in suction from -15 °C to +40 °C.
- Read the instruction manual carefully before installing the machine.

SIDE CHANNEL BLOWER • VERSION IE2

K05TD MOR

Technical characteristics

- Aluminium alloy construction
- Smooth operation
- Maintenance free

Electric motor

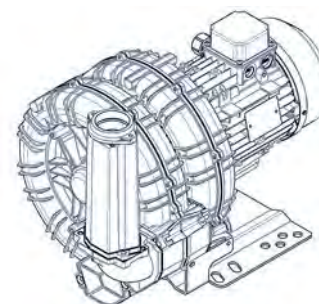
- Motors with IP55 protection rating
- Class F insulation, suitable for operating with inverter (refer to FPZ)
- Thermal Protector (PTO) as standard

Options

- Special voltages (IEC 60038)
- Surface treatments
- Increased seal version

	[V] (Δ / Y)	[Hz]
IE2	230 / 400	50
	265 / 460	60
Wide range	200 - 240 / 345 - 415	50
	220 - 280 / 380 - 480	60

Supply voltage - IE2 only at 50 Hz - Tolerance on the fixed voltage value $\pm 10\%$, in range $\pm 5\%$.



PERFORMANCE TABLE

P_n [kW]	Frequency [Hz]	Δp_{max} [mbar]		Q_{max} [m ³ /h]	Leq^1 [dB(A)]	Weight [kg]	H^3 [mm]	Current Consumption (Y / Δ) [A]		$\cos\phi$ [-]	Speed [rpm]
		Suction	Compression					IE2 ²	Range		
3	50	350	350	215	70.6	44.5	475	6.27 / 10.8	6.88-6.36 / 11.9-11.0	0.82	2920
3.5	60	300	300	259	72.6	44.5	475	6.23 / 10.8	7.29-6.23 / 12.6-10.8	0.84	3515
4	50	400	475	215	70.6	45.5	495	8.12 / 14.05	8.80-8.26 / 15.2-14.3	0.82	2910
4.8	60	400	425	259	72.6	45.5	495	8.10 / 14.03	9.37-8.10 / 16.2-14.0	0.84	3480

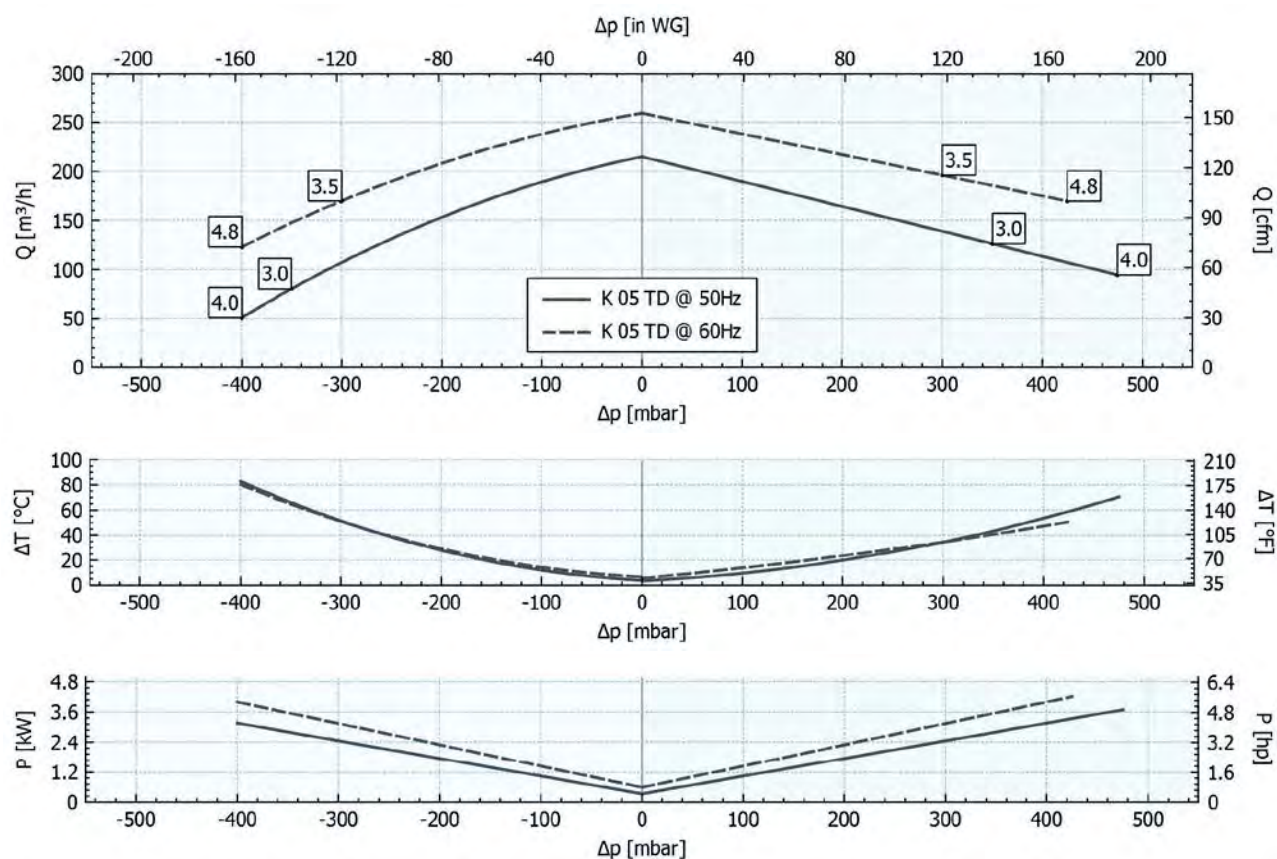
1. Noise level measured at a distance of 1 m with ducted intake and delivery, in accordance with Standard ISO 3744.

2. IE2 only at 50Hz.

3. See figure "dimensions" at following page.

SUCTION

COMPRESSION

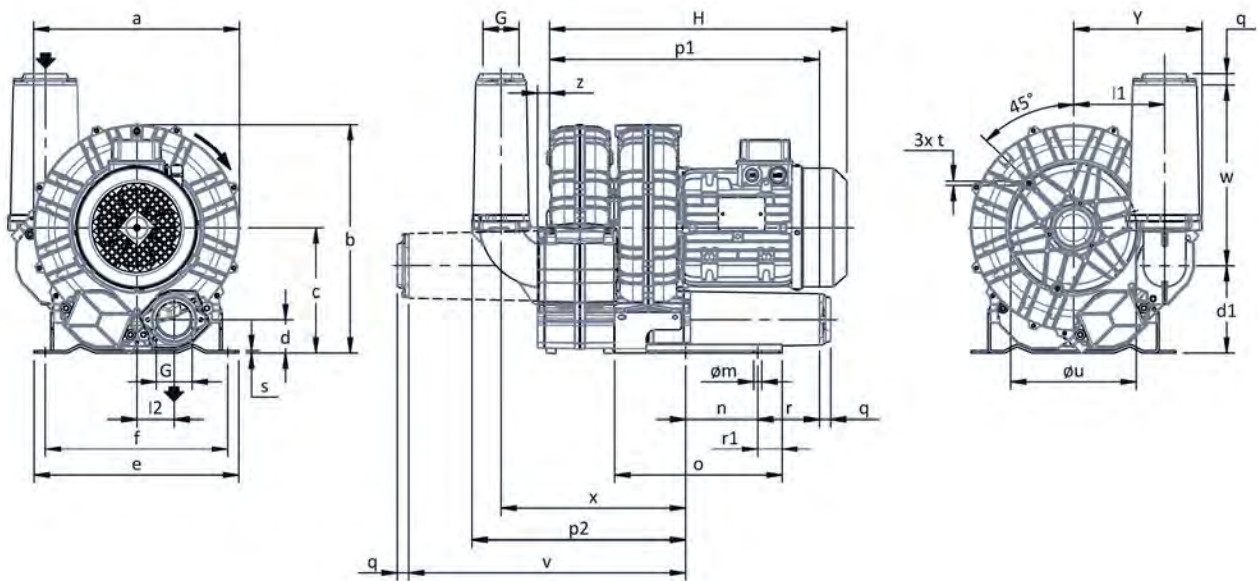


Tolerance on indicated values $\pm 10\%$.

Data subject to change without notice.

Curves referring to air at a temperature of 20 °C and atmospheric pressure of 1013 mbar (abs).

DIMENSIONS



NOT Binding
Dimensions in mm

a	b	c	d	d1	e	f	G	l	l1	l2	m	n	o	p1	p2	q	r	r1	s	t	u	v	w	x	y	z
327	365	200	54	140	325	260	G 2"	-	145	60	15	115	265	428	340	18	98	38.5	4	M8	200	440	285	293	206	19

INSTALLATION

- For proper operation of the machine, it must be provided with a suction FILTER and a vacuum/pressure limiting VALVE.
- Other accessories are available on request.
- Permissible ambient and fluid temperature in suction from -15 °C to +40 °C.
- Read the instruction manual carefully before installing the machine.

SIDE CHANNEL BLOWER • VERSION IE2

K06TD MOR

Technical characteristics

- Aluminium alloy construction
- Smooth operation
- Maintenance free

Electric motor

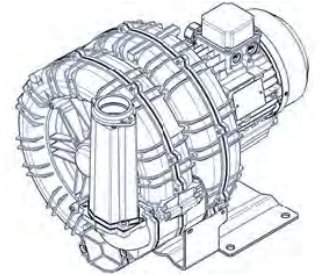
- Motors with IP55 protection rating
- Class F insulation, suitable for operating with inverter (refer to FPZ)
- Thermal Protector (PTO) as standard

Options

- Special voltages (IEC 60038)
- Surface treatments
- Increased seal version

	[V] (Δ / Y)		[Hz]
	≤ 4 kW	> 4 kW	
IE2	230 / 400	400 / 690	50
	265 / 460	460 / 795	60
Wide range	200-240 / 345-415	345-415 / 600-720	50
	220-280 / 380-480	380-480 / 660-830	60

Supply voltage - IE2 only at 50 Hz - Tolerance on the fixed voltage value ± 10%, in range ± 5%.



PERFORMANCE TABLE

P _n [kW]	Frequency [Hz]	Δ p _{max} [mbar]		Q _{max} [m ³ /h]	Leq ¹ [dB(A)]	Weight [kg]	H ³ [mm]	Current Consumption (Y / Δ) [A]		Cosφ [-]	Speed [rpm]
		Suction	Compression					IE2 ²	Range		
4	50	275	275	312	72.6	52.5	500	8.12 / 14.05	8.80-8.26 / 15.2-14.3	0.82	2910
4.8	60	225	225	376	74.6	52.5	500	8.10 / 14.03	9.37-8.10 / 16.2-14.0	0.84	3480
5.5	50	400	425	312	72.6	68.5	585	6.40 / 11.1	6.81-6.75 / 11.8-11.7	0.8	2940
6.5	60	350	350	376	74.6	68.5	585	6.38 / 11.1	7.21-6.47 / 12.5-11.2	0.84	3535
7.5	50	-	550	312	72.6	73.5	585	9.06 / 15.7	9.18-9.47 / 15.9-16.4	0.78	2940
9	60	400	525	376	74.6	73.5	585	8.86 / 15.34	9.87-9.00 / 17.1-15.6	0.83	3530

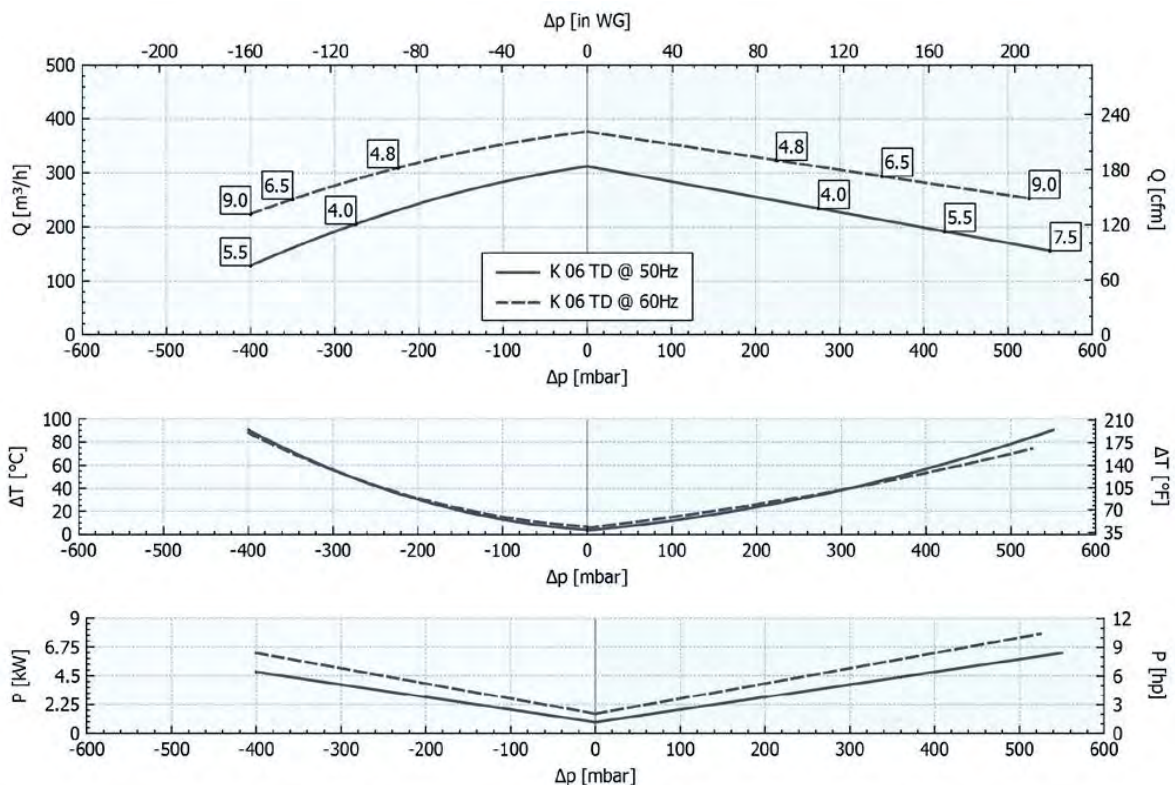
1. Noise level measured at a distance of 1 m with ducted intake and delivery, in accordance with Standard ISO 3744.

2. IE2 only at 50Hz.

3. See figure "dimensions" at following page.

SUCTION

COMPRESSION

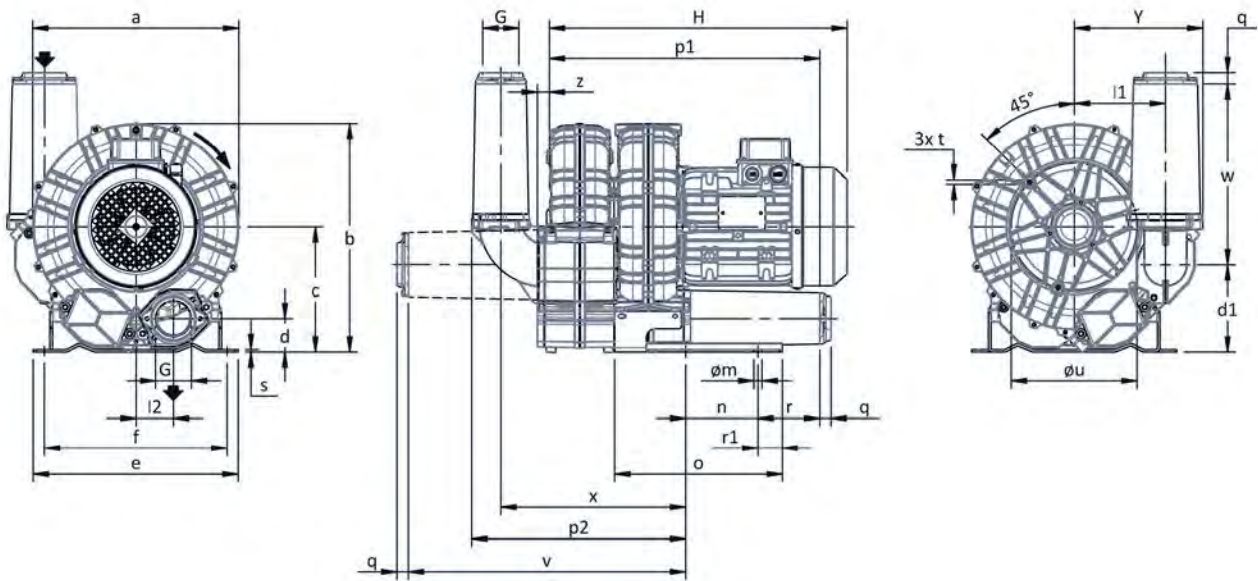


Tolerance on indicated values ± 10%.

Data subject to change without notice.

Curves referring to air at a temperature of 20 °C and atmospheric pressure of 1013 mbar (abs).

DIMENSIONS



NOT Binding
Dimensions in mm

a	b	c	d	d1	e	f	G	l	l1	l2	m	n	o	p1	p2	q	r	r1	s	t	u	v	w	x	y	z
376	420	232	59	170	325	290	G 2"	-	151	73	15	140	265	508	354	18	136	19	4	M8	240	455	285	308	210	19

INSTALLATION

- For proper operation of the machine, it must be provided with a suction FILTER and a vacuum/pressure limiting VALVE.
- Other accessories are available on request.
- Permissible ambient and fluid temperature in suction from -15 °C to +40 °C.
- Read the instruction manual carefully before installing the machine.

SIDE CHANNEL BLOWER • VERSION IE2

K07TD MOR

Technical characteristics

- Aluminium alloy construction
- Smooth operation
- Maintenance free

Electric motor

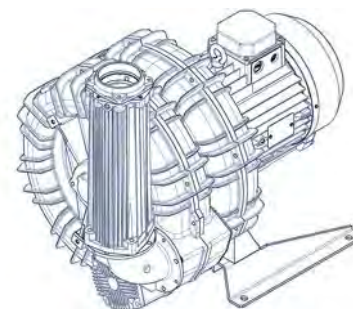
- Motors with IP55 protection rating
- Class F insulation, suitable for operating with inverter (refer to FPZ)
- Thermal Protector (PTO) as standard

Options

- Special voltages (IEC 60038)
- Surface treatments
- Increased seal version

	[V] (Δ / Y)	[Hz]
IE2	400 / 690	50
	260 / 795	60
Wide range	345 - 415 / 600 - 720	50
	380 - 480 / 660 - 830	60

Supply voltage - IE2 only at 50 Hz - Tolerance on the fixed voltage value ± 10%, in range ± 5%.



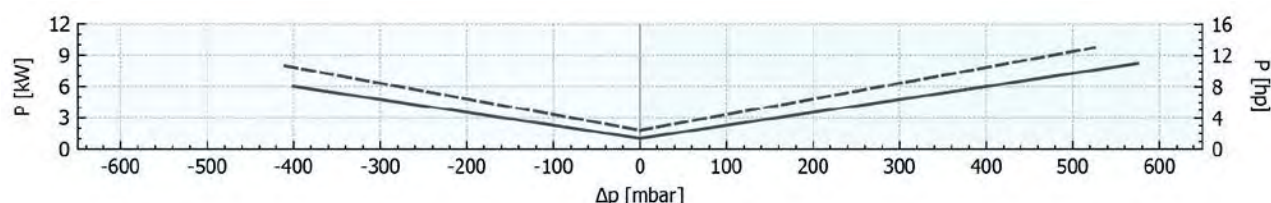
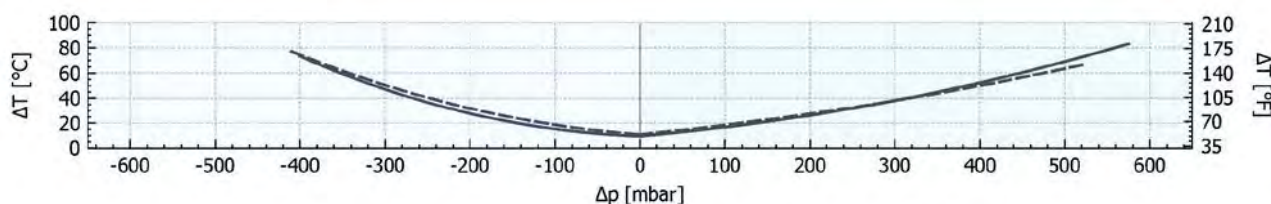
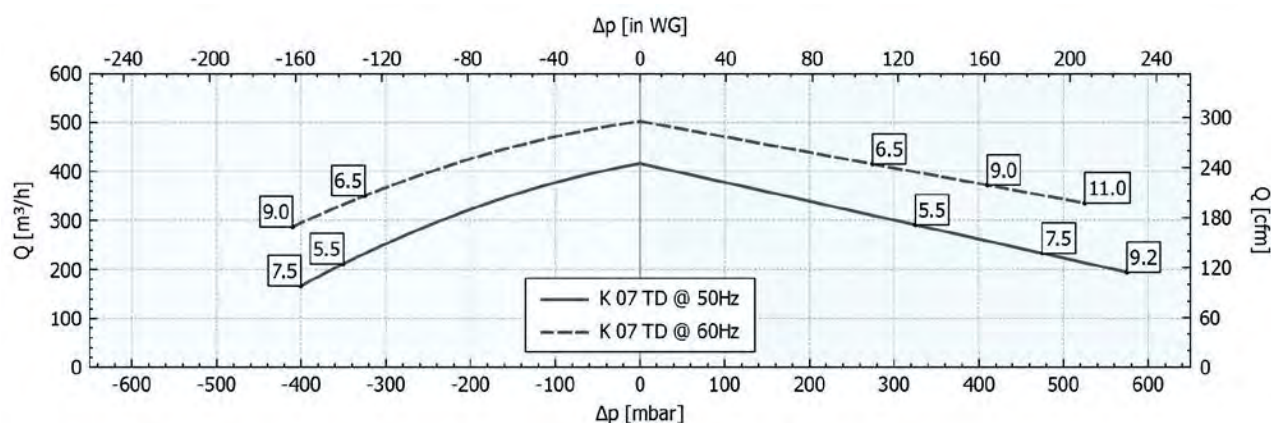
PERFORMANCE TABLE

P _n [kW]	Frequency [Hz]	Δ p _{max} [mbar]		Q _{max} [m ³ /h]	Leq ¹ [dB(A)]	Weight [kg]	H ³ [mm]	Current Consumption (Y / Δ) [A]		Cosφ [-]	Speed [rpm]
		Suction	Compression					IE2 ²	Range		
6.5	60	325	275	502	76.6	89.5	580	6.38 / 11.1	7.21-6.47 / 12.5-11.2	0.84	3535
7.5	50	400	475	416	74.6	94.5	580	9.06 / 15.7	9.18-9.47 / 15.9-16.4	0.78	2940
9	60	410	410	502	76.6	94.5	580	8.86 / 15.34	9.87-9.00 / 17.1-15.6	0.83	3530
9.2	50	-	575	416	74.6	99.5	620	10.3 / 17.8	11.1-10.6 / 19.2-18.3	0.83	2940
11	60	-	525	502	76.6	99.5	620	10.3 / 17.9	11.9-10.3 / 20.6-17.9	0.86	3530

1. Noise level measured at a distance of 1 m with ducted intake and delivery, in accordance with Standard ISO 3744.
2. IE2 only at 50Hz.
3. See figure "dimensions" at following page.

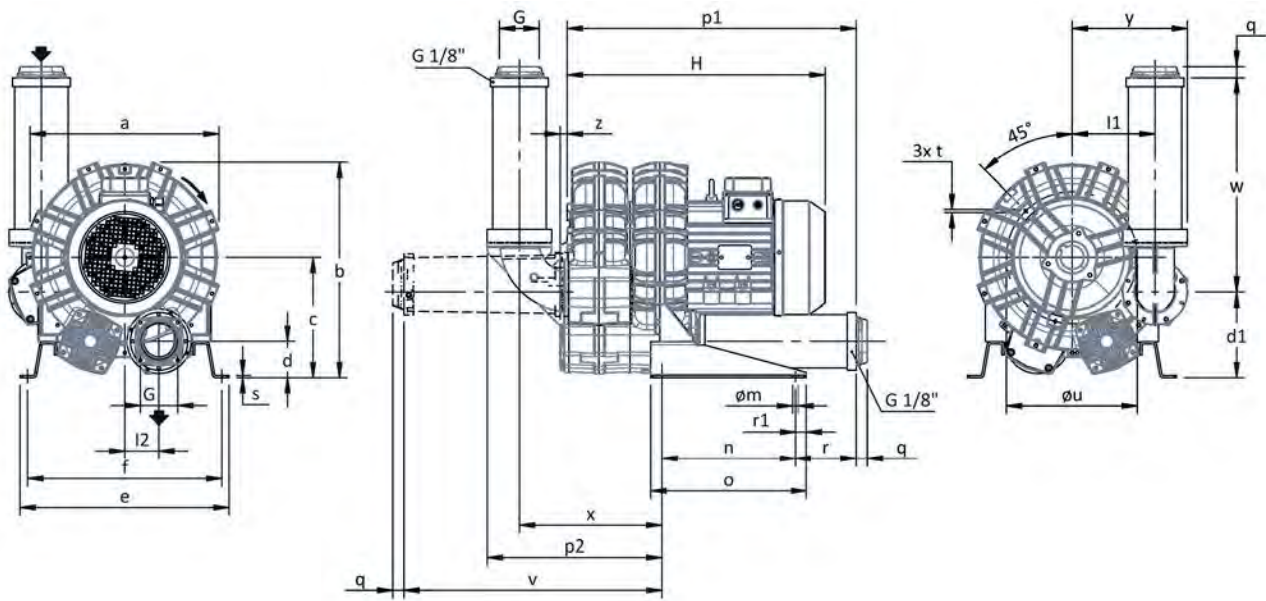
SUCTION

COMPRESSION



Tolerance on indicated values ± 10%.
Data subject to change without notice.
Curves referring to air at a temperature of 20 °C and atmospheric pressure of 1013 mbar (abs).

DIMENSIONS



NOT Binding
Dimensions in mm

a	b	c	d	d1	e	f	G	l	l1	l2	m	n	o	p1	p2	q	r	r1	s	t	u	v	w	x	y	z
424	481	269	82	-	470	438	G 3"	-	187	77.5	13	300	350	650	392	25	137	25	5	M8	295	581	481	319	260	16

INSTALLATION

- For proper operation of the machine, it must be provided with a suction FILTER and a vacuum/pressure limiting VALVE.
- Other accessories are available on request.
- Permissible ambient and fluid temperature in suction from -15 °C to +40 °C.
- Read the instruction manual carefully before installing the machine.

SIDE CHANNEL BLOWER • VERSION IE2

K08TD MOR

Technical characteristics

- Aluminium alloy construction
- Smooth operation
- Maintenance free

Electric motor

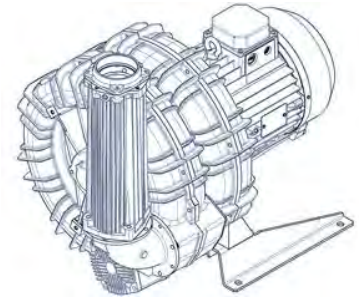
- Motors with IP55 protection rating
- Class F insulation, suitable for operating with inverter (refer to FPZ)
- Thermal Protector (PTO) as standard

Options

- Special voltages (IEC 60038)
- Surface treatments
- Increased seal version

	[V] (Δ / Y)	[Hz]
IE2	400 / 690	50
	460 / 795	60
Wide range	345 - 415 / 600 - 720	50
	380 - 480 / 660 - 830	60

Supply voltage - IE2 only at 50 Hz - Tolerance on the fixed voltage value ± 10%, in range ± 5%.



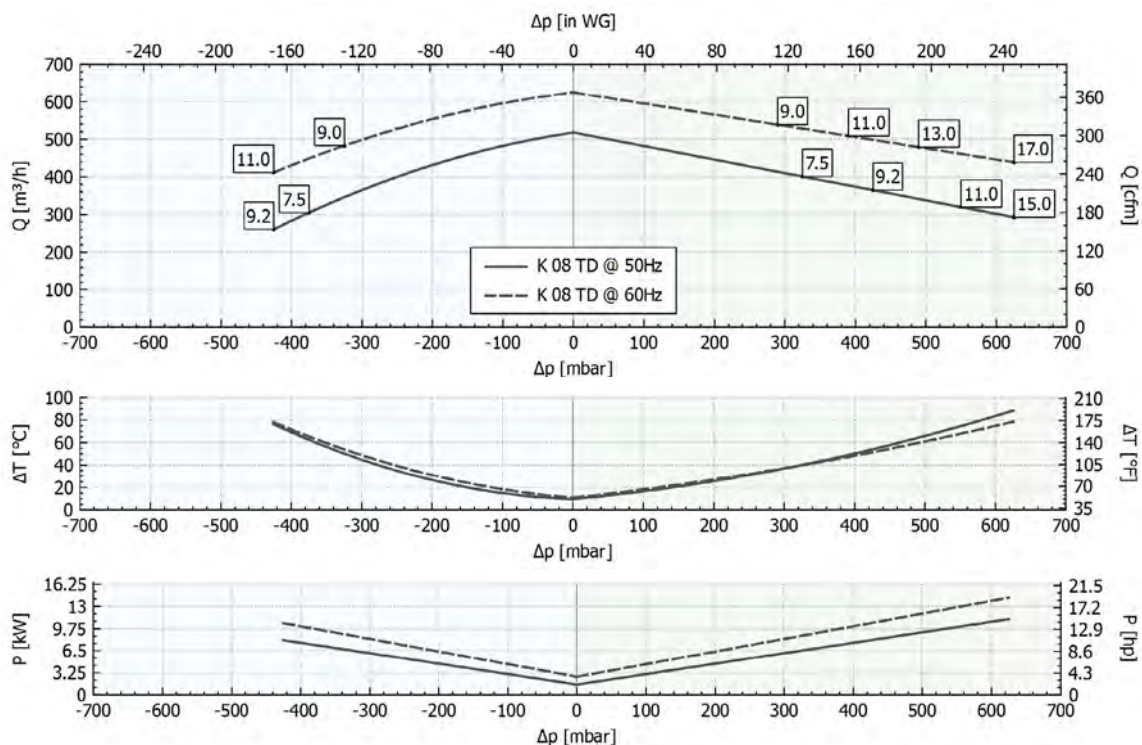
PERFORMANCE TABLE

P _n [kW]	Frequency [Hz]	Δ p _{max} [mbar]		Q _{max} [m ³ /h]	Leq ¹ [dB(A)]	Weight [kg]	H ³ [mm]	Current Consumption (Y / Δ) [A]		Cosφ [-]	Speed [rpm]
		Suction	Compression					IE2 ²	Range		
7.5	50	375	325	518	77.0	100.5	580	9.06 / 15.7	9.18-9.47 / 15.9-16.4	0.78	2940
9	60	325	290	625	79.0	100.5	580	8.86 / 15.34	9.87-9.00 / 17.1-15.6	0.83	3530
9.2	50	425	425	518	77.0	105.5	620	10.3 / 17.8	11.1-10.6 / 19.2-18.3	0.83	2940
11	60	425	390	625	79.0	112	620	10.3 / 17.9	11.9-10.3 / 20.6-17.9	0.86	3530
11	50	-	550	518	77.0	112	620	12.53 / 21.7	13.0-12.9 / 22.6-22.3	0.81	2940
13	60	-	490	325	79.0	112	620	12.2 / 21.2	13.8-12.4 / 23.9-21.4	0.84	3530
15	50	-	625	518	77.0	129	695	16.46 / 28.51	17.8-16.6 / 30.8-28.8	0.84	2940
17	60	-	625	625	79.0	129	695	15.7 / 27.2	18.1-15.6 / 13.3-27.1	0.86	3540

1. Noise level measured at a distance of 1 m with ducted intake and delivery, in accordance with Standard ISO 3744.
2. IE2 only at 50Hz.
3. See figure "dimensions" at following page.

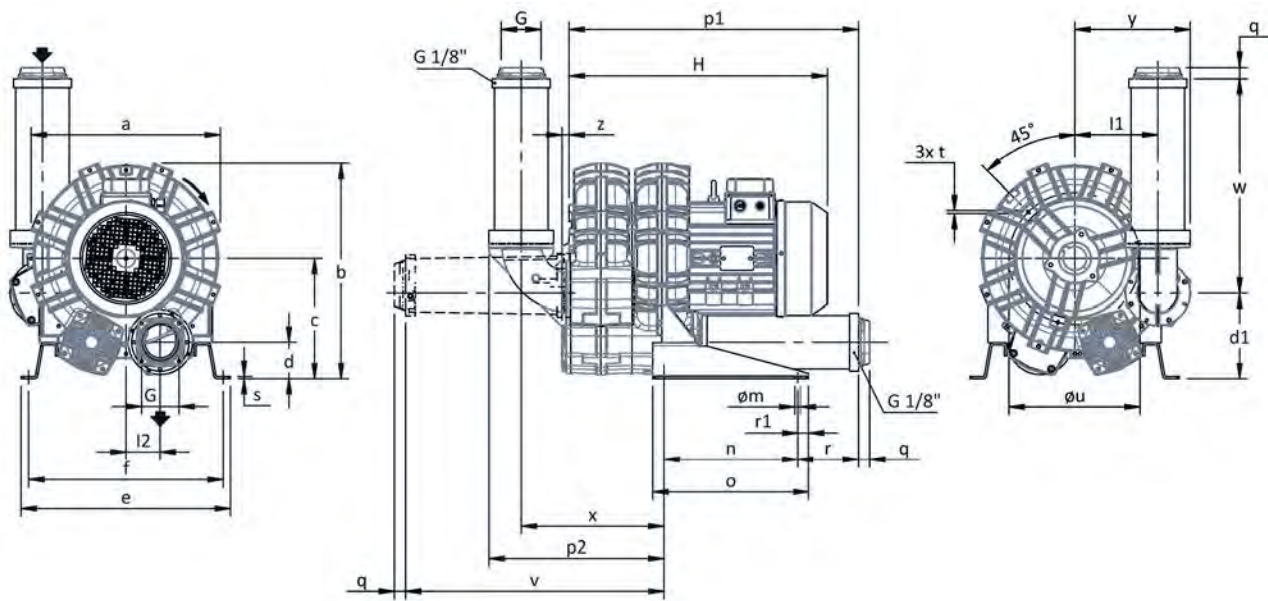
SUCTION

COMPRESSION



Tolerance on indicated values ± 10%.
 Data subject to change without notice.
 Curves referring to air at a temperature of 20 °C and atmospheric pressure of 1013 mbar (abs).

DIMENSIONS



NOT Binding
Dimensions in mm

a	b	c	d	d1	e	f	G	l	l1	l2	m	n	o	p1	p2	q	r	r1	s	t	u	v	w	x	y	z
457	498	269	82	192	480	448	G 3"	-	187	77.5	13	300	350	650	392	25	137	25	5	M8	310	581	481	319	260	16

INSTALLATION

- For proper operation of the machine, it must be provided with a suction FILTER and a vacuum/pressure limiting VALVE.
- Other accessories are available on request.
- Permissible ambient and fluid temperature in suction from -15 °C to +40 °C.
- Read the instruction manual carefully before installing the machine.

SIDE CHANNEL BLOWER • VERSION IE2

K09TD MOR

Technical characteristics

- Aluminium alloy construction
- Smooth operation
- Maintenance free

Electric motor

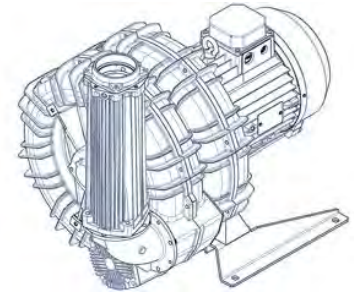
- Motors with IP55 protection rating
- Class F insulation, suitable for operating with inverter (refer to FPZ)
- Thermal Protector (PTO) as standard

Options

- Special voltages (IEC 60038)
- Surface treatments
- Increased seal version

	[V] (Δ / Y)	[Hz]
IE2	400 / 690	50
	460 / 795	60
Wide range	345 - 415 / 600 - 720	50
	380 - 480 / 660 - 830	60

Supply voltage - IE2 only at 50 Hz - Tolerance on the fixed voltage value $\pm 10\%$, in range $\pm 5\%$.



PERFORMANCE TABLE

P _n [kW]	Frequency [Hz]	Δ p _{max} [mbar]		Q _{max} [m ³ /h]	Leq ¹ [dB(A)]	Weight [kg]	H ³ [mm]	Current Consumption (Y / Δ) [A]		Cosφ [-]	Speed [rpm]
		Suction	Compression					IE2 ²			
								IE2 ²	Range		
11	50	390	390	657	79.9	130.5	650	12.53 / 21.7	13.0-12.9 / 22.6-22.3	0.81	2940
13	60	320	320	793	81.9	130.5	650	12.2 / 21.2	13.8-12.4 / 23.9-21.4	0.84	3530
15	50	450	550	657	79.9	151	727	16.46 / 28.51	17.8-16.6 / 30.8-28.8	0.84	2940
18	60	475	500	793	81.9	151	727	15.7 / 27.2	18.1-15.6 / 31.3-27.1	0.86	3540
18.5	50	-	625	657	79.9	170	785	20.7 / 35.9	21.7-21.7 / 37.6-37.5	0.81	2950
22	60	-	650	793	81.9	170	785	20.4 / 35.4	23.3-20.7 / 40.3-35.9	0.85	3550

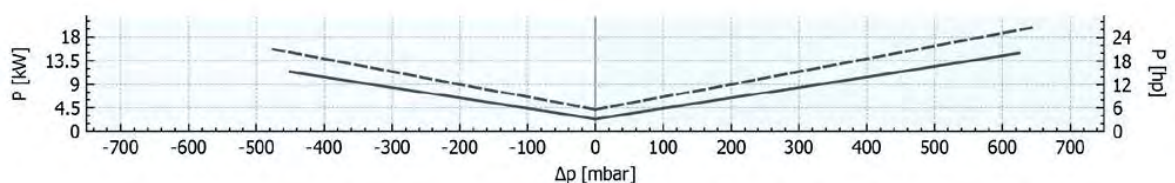
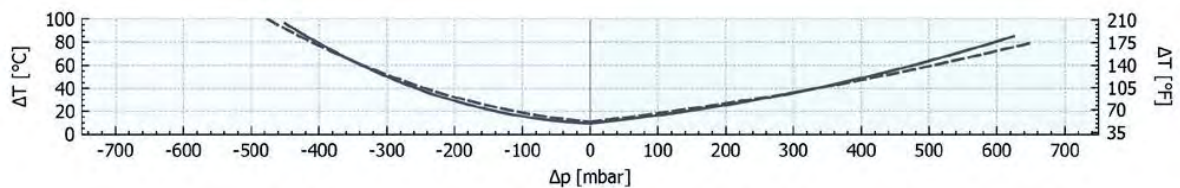
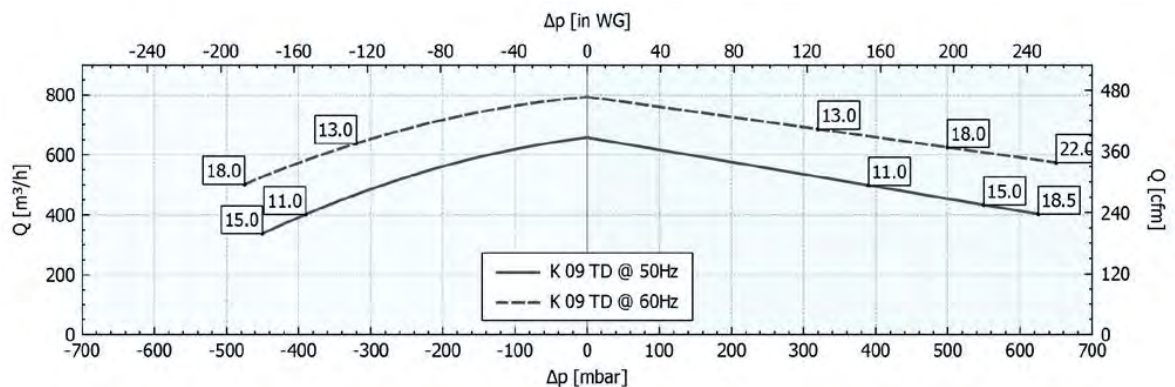
1. Noise level measured at a distance of 1 m with ducted intake and delivery, in accordance with Standard ISO 3744.

2. IE2 only at 50Hz.

3. See figure "dimensions" at following page.

SUCTION

COMPRESSION

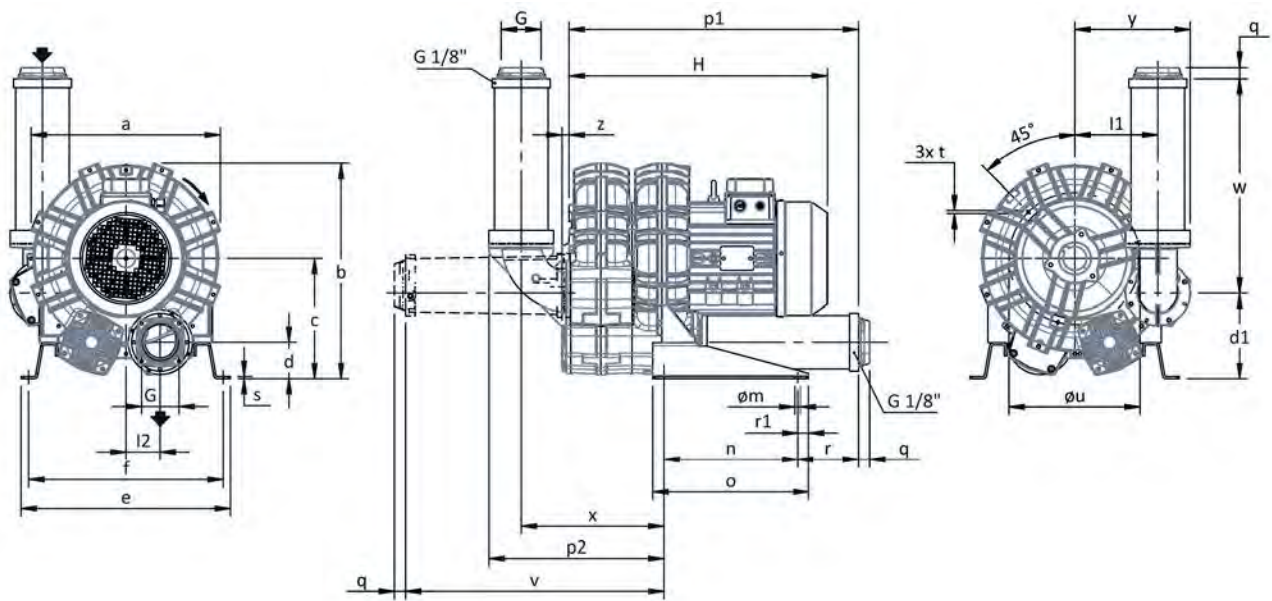


Tolerance on indicated values $\pm 10\%$.

Data subject to change without notice.

Curves referring to air at a temperature of 20 °C and atmospheric pressure of 1013 mbar (abs).

DIMENSIONS



NOT Binding
Dimensions in mm

a	b	c	d	d1	e	f	G	l	l1	l2	m	n	o	p1	p2	q	r	r1	s	t	u	v	w	x	y	z
492	561	315	96	225	510	478	G 4"	-	220	91	13	300	350	745	455	25	199	25	5	M8	360	663	556	372	302	16

INSTALLATION

- For proper operation of the machine, it must be provided with a suction FILTER and a vacuum/pressure limiting VALVE.
- Other accessories are available on request.
- Permissible ambient and fluid temperature in suction from -15 °C to +40 °C.
- Read the instruction manual carefully before installing the machine.

SIDE CHANNEL BLOWER • VERSION IE2

K10TD MOR

Technical characteristics

- Aluminium alloy construction
- Smooth operation
- Maintenance free

Electric motor

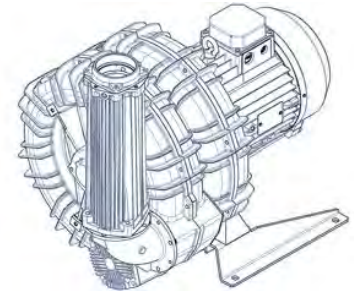
- Motors with IP55 protection rating
- Class F insulation, suitable for operating with inverter (refer to FPZ)
- Thermal Protector (PTO) as standard

Options

- Special voltages (IEC 60038)
- Surface treatments
- Increased seal version

	[V] (Δ / Y)	[Hz]
IE2	400 / 690	50
	460 / 795	60
Wide range	345 - 415 / 600 - 720	50
	380 - 480 / 660 - 830	60

Supply voltage - IE2 only at 50 Hz - Tolerance on the fixed voltage value $\pm 10\%$, in range $\pm 5\%$.



PERFORMANCE TABLE

P _n [kW]	Frequency [Hz]	Δ p _{max} [mbar]		Q _{max} [m ³ /h]	Leq ¹ [dB(A)]	Weight [kg]	H ³ [mm]	Current Consumption (Y / Δ) [A]		Cosφ [-]	Speed [rpm]
		Suction	Compression					IE2 ²			
								IE2 ²	Range		
11	50	325	325	804	83.9	137	650	12.53 / 21.7	13.0-12.9 / 22.6-22.3	0.81	2940
13	60	275	275	970	85.9	137	650	12.2 / 21.2	13.8-12.4 / 23.9-21.4	0.84	3530
15	50	450	450	804	83.9	154	727	16.46 / 28.51	17.8-16.6 / 30.8-28.8	0.84	2940
17	60	375	375	970	85.9	154	727	15.7 / 27.2	18.1-15.6 / 31.3-27.1	0.86	3540
18.5	50	-	575	804	83.9	173.5	785	20.7 / 35.9	21.7-21.7 / 37.6-37.5	0.81	2950
22	60	450	525	970	85.9	173.5	785	20.4 / 35.4	23.3-20.7 / 40.3-35.9	0.85	3550

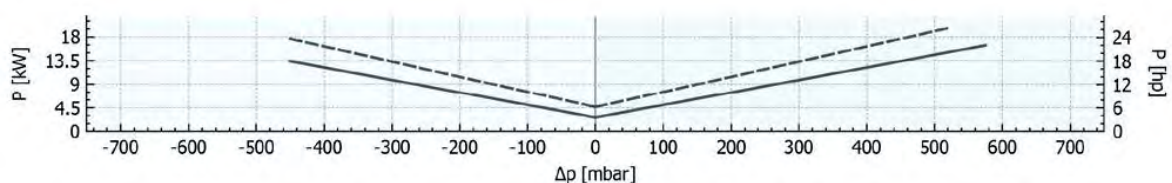
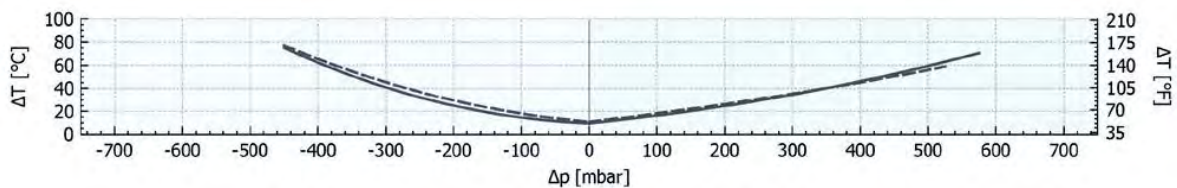
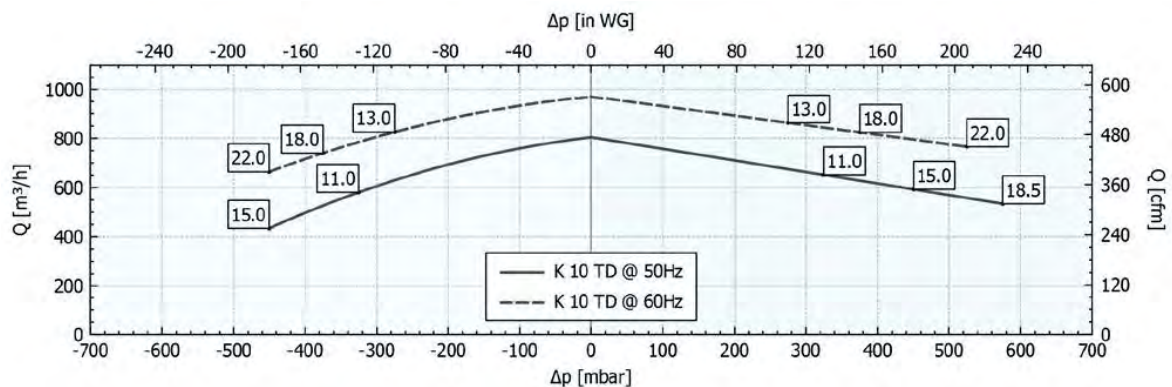
1. Noise level measured at a distance of 1 m with ducted intake and delivery, in accordance with Standard ISO 3744.

2. IE2 only at 50Hz.

3. See figure "dimensions" at following page.

SUCTION

COMPRESSION

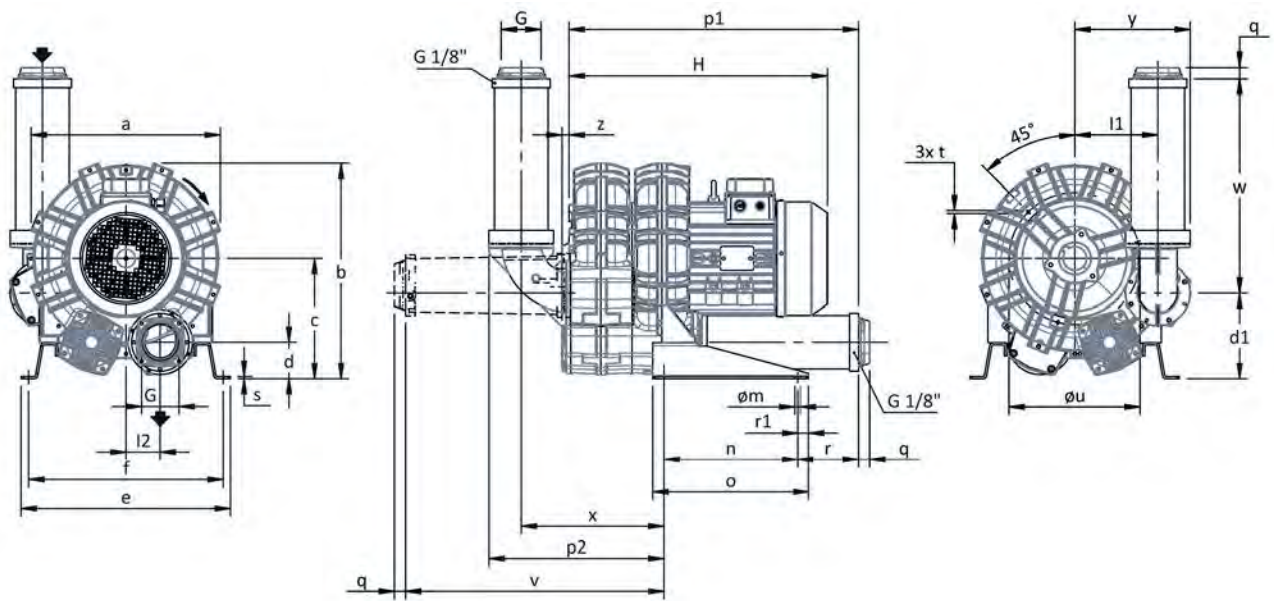


Tolerance on indicated values $\pm 10\%$.

Data subject to change without notice.

Curves referring to air at a temperature of 20 °C and atmospheric pressure of 1013 mbar (abs).

DIMENSIONS



NOT Binding
Dimensions in mm

a	b	c	d	d1	e	f	G	l	l1	l2	m	n	o	p1	p2	q	r	r1	s	t	u	v	w	x	y	z
516	573	315	96	225	510	478	G 4"	-	220	91	13	300	350	745	455	25	199	25	5	M8	360	663	556	372	302	16

INSTALLATION

- For proper operation of the machine, it must be provided with a suction FILTER and a vacuum/pressure limiting VALVE.
- Other accessories are available on request.
- Permissible ambient and fluid temperature in suction from -15 °C to +40 °C.
- Read the instruction manual carefully before installing the machine.

SIDE CHANNEL BLOWER • VERSION IE2

K11TD MOR

Technical characteristics

- Aluminium alloy construction
- Smooth operation
- Maintenance free

Electric motor

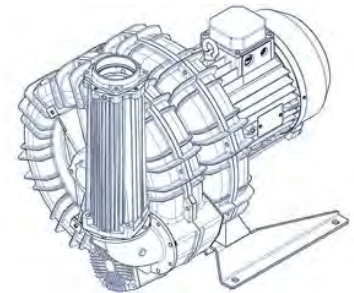
- Motors with IP55 protection rating
- Class F insulation, suitable for operating with inverter (refer to FPZ)
- Thermal Protector (PTO) as standard

Options

- Special voltages (IEC 60038)
- Surface treatments
- Increased seal version

	[V] (Δ / Y)	[Hz]
IE2	400 / 690	50
	460 / 795	60
Wide range	345 - 415 / 600 - 720	50
	380 - 480 / 660 - 830	60

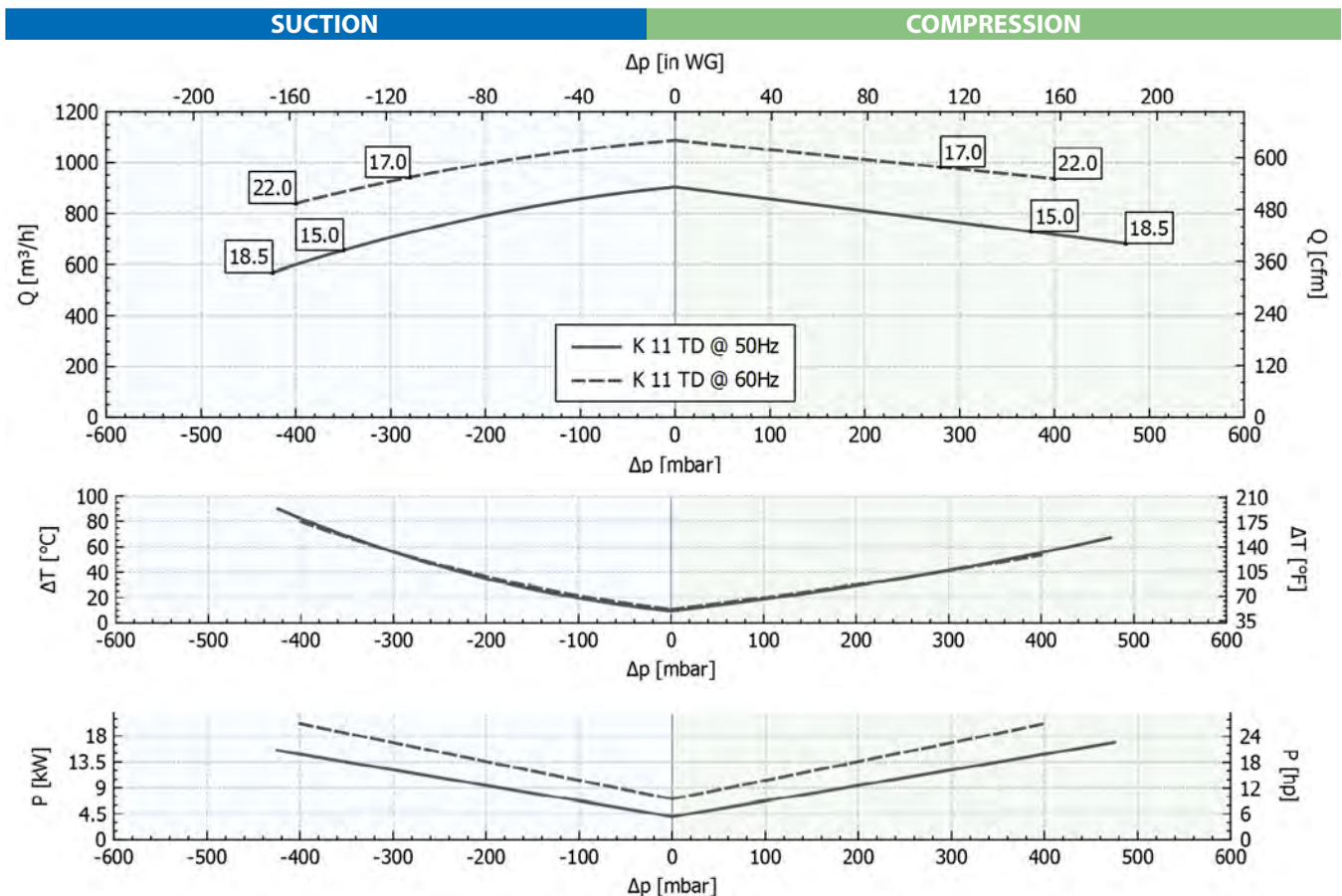
Supply voltage - IE2 only at 50 Hz - Tolerance on the fixed voltage value $\pm 10\%$, in range $\pm 5\%$.



PERFORMANCE TABLE

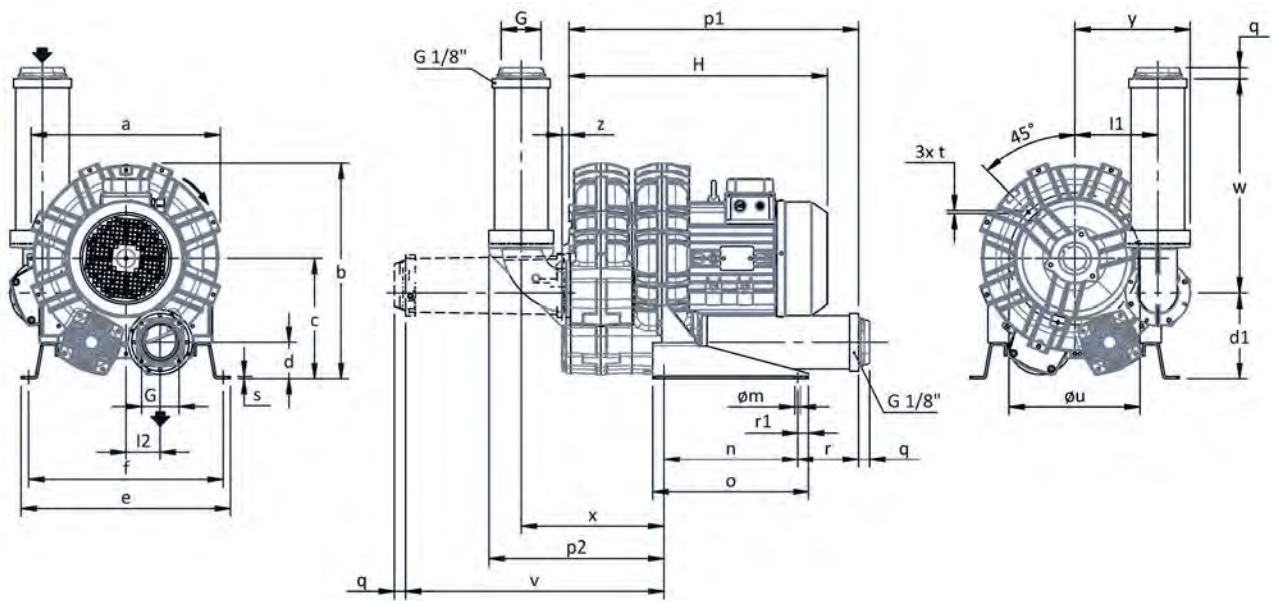
P _n [kW]	Frequency [Hz]	Δ p _{max} [mbar]		Q _{max} [m ³ /h]	Leq ¹ [dB(A)]	Weight [kg]	H ³ [mm]	Current Consumption (Y / Δ) [A]		Cosφ [-]	Speed [rpm]
		Suction	Compression					IE2 ²			
								Range			
15	50	350	375	903	84.2	167.5	742	16.46 / 28.51	17.8-16.6 / 30.8-28.8	0.84	2940
18	60	280	280	1089	86.2	167.5	742	15.7 / 27.2	18.1-15.6 / 31.3-27.1	0.86	3540
18.5	50	425	475	903	84.2	187	800	20.7 / 35.9	21.7-21.7 / 37.6-37.5	0.81	2950
22	60	400	400	1089	86.2	187	800	20.4 / 35.4	23.3-20.7 / 40.3-35.9	0.85	3550

1. Noise level measured at a distance of 1 m with ducted intake and delivery, in accordance with Standard ISO 3744.
 2. IE2 only at 50Hz.
 3. See figure "dimensions" at following page.



Tolerance on indicated values $\pm 10\%$.
 Data subject to change without notice.
 Curves referring to air at a temperature of 20 °C and atmospheric pressure of 1013 mbar (abs).

DIMENSIONS



NOT Binding
Dimensions in mm

a	b	c	d	d1	e	f	G	l	l1	l2	m	n	o	p1	p2	q	r	r1	s	t	u	v	w	x	y	z
542	603	332	91	232	540	508	G 4"	-	242	100	13	300	350	765	470	25	204	25	5	M8	390	678	556	387	324	16

INSTALLATION

- For proper operation of the machine, it must be provided with a suction FILTER and a vacuum/pressure limiting VALVE.
- Other accessories are available on request.
- Permissible ambient and fluid temperature in suction from -15 °C to +40 °C.
- Read the instruction manual carefully before installing the machine.

SIDE CHANNEL BLOWER • VERSION IE2

K12TD MOR

Technical characteristics

- Aluminium alloy construction
- Smooth operation
- Maintenance free

Electric motor

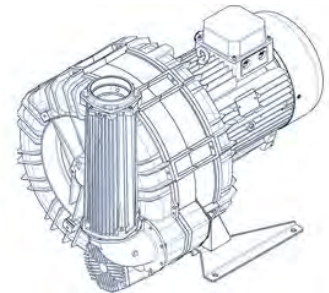
- Motors with IP55 protection rating
- Class F insulation, suitable for operating with inverter (refer to FPZ)
- Thermal Protector (PTO) as standard

Options

- Special voltages (IEC 60038)
- Surface treatments
- Increased seal version

	[V] (Δ / Y)	[Hz]
IE2	400 / 690	50
	460 / 795	60
Wide range	345 - 415 / 600 - 720	50
	380 - 480 / 660 - 830	60

Supply voltage - IE2 only at 50 Hz - Tolerance on the fixed voltage value $\pm 10\%$, in range $\pm 5\%$.



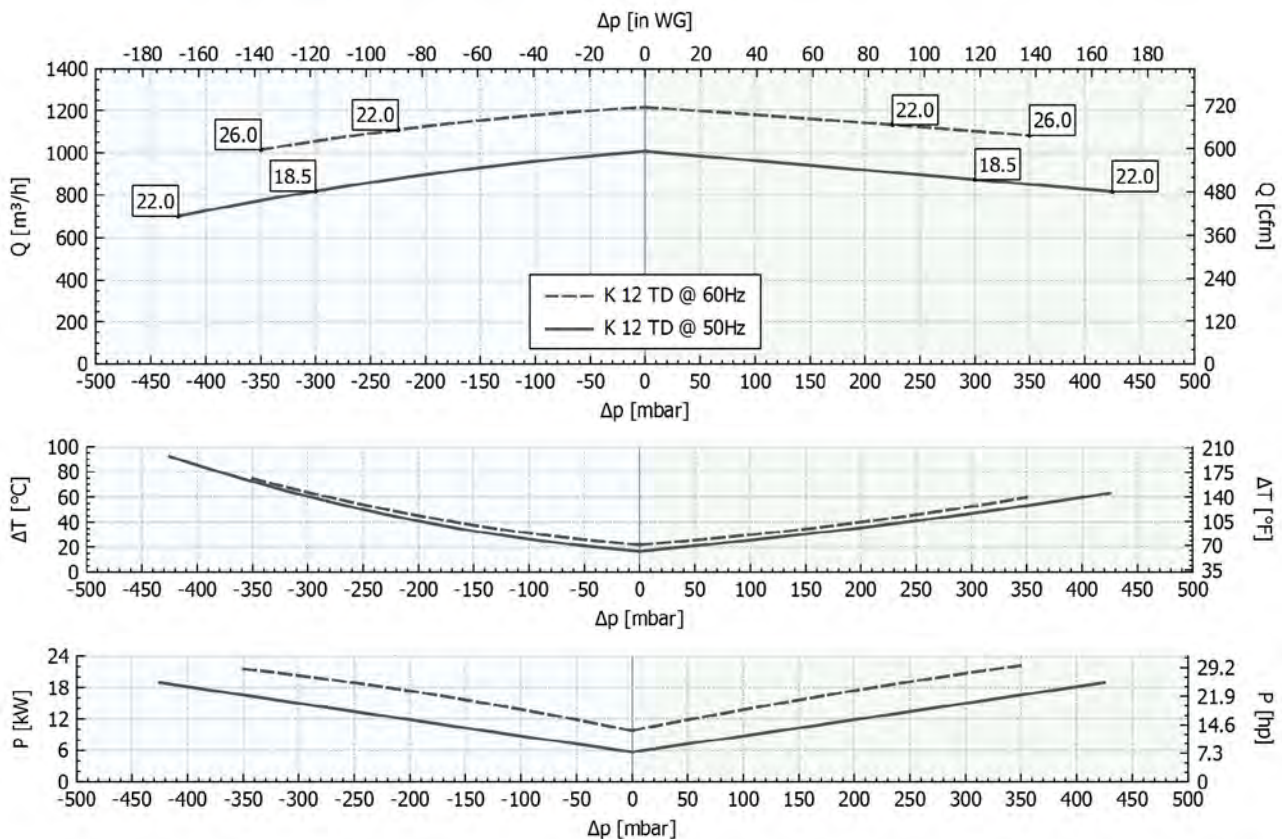
PERFORMANCE TABLE

P _n [kW]	Frequency [Hz]	Δ p _{max} [mbar]		Q _{max} [m ³ /h]	Leq ¹ [dB(A)]	Weight [kg]	H ³ [mm]	Current Consumption (Y / Δ) [A]		Cosφ [-]	Speed [rpm]
		Suction	Compression					IE2 ²			
								IE2 ²	Range		
18.5	50	300	300	1007	85.0	187	815	20.7 / 35.9	21.7-21.7 / 37.6-37.5	0.81	2950
22	60	225	225	1216	87.5	187	815	20.4 / 35.4	23.3-20.7 / 40.3-35.9	0.85	3550
22	50	425	425	1007	85.0	194	815	24.5 / 42.5	25.7-25.2 / 44.5-43.7	0.81	2940
26	60	350	350	1216	87.5	194	815	24.0 / 41.6	27.2-24.2 / 47.1-42.0	0.85	3540

1. Noise level measured at a distance of 1 m with ducted intake and delivery, in accordance with Standard ISO 3744.
2. IE2 only at 50Hz.
3. See figure "dimensions" at following page.

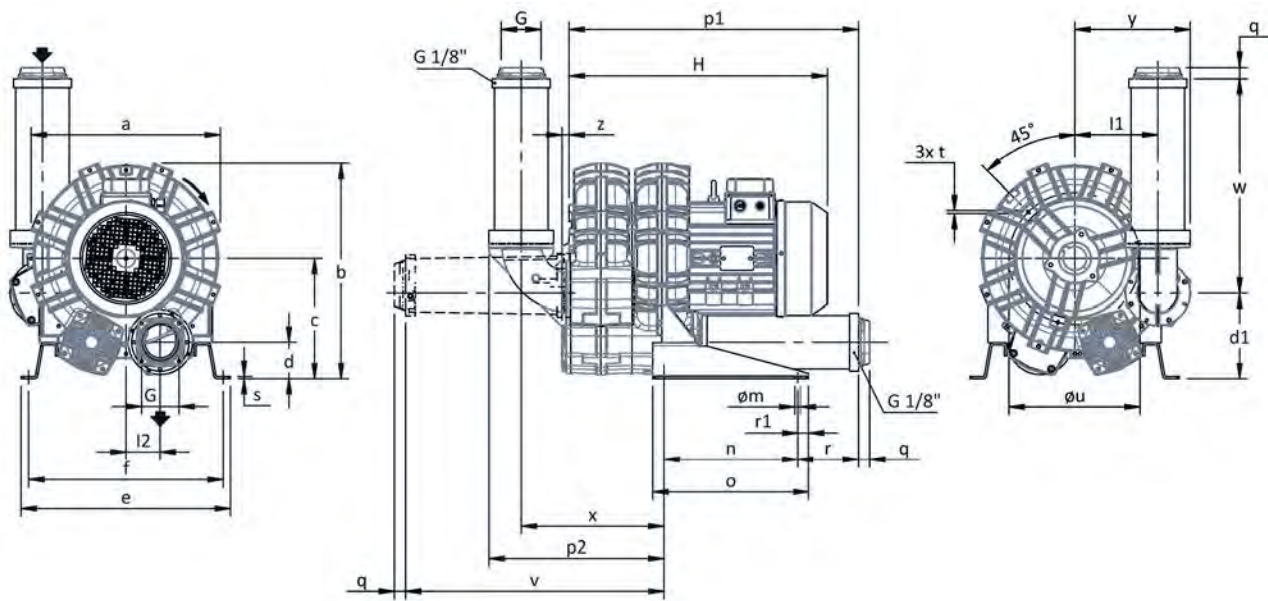
SUCTION

COMPRESSION



Tolerance on indicated values $\pm 10\%$.
 Data subject to change without notice.
 Curves referring to air at a temperature of 20 °C and atmospheric pressure of 1013 mbar (abs).

DIMENSIONS



NOT Binding
Dimensions in mm

a	b	c	d	d1	e	f	G	l	l1	l2	m	n	o	p1	p2	q	r	r1	s	t	u	v	w	x	y	z
548	606	332	91	232	540	508	G 4"	-	242	100	13	300	350	768	483	25	204	25	5	M8	390	678	556	400	324	13

INSTALLATION

- For proper operation of the machine, it must be provided with a suction FILTER and a vacuum/pressure limiting VALVE.
- Other accessories are available on request.
- Permissible ambient and fluid temperature in suction from -15 °C to +40 °C.
- Read the instruction manual carefully before installing the machine.