

## CAN DRYING TUNNELS

Available in both single and multi-lane configurations, the tunnel-based can drying system features specially configured slots that direct air to remove water efficiently whilst driving it downwards and out of the enclosed area.

Operating in an enclosed chamber ensures the drying blower-delivered air operates more efficiently than with conventional 'open' systems.

In addition, the enclosed environment ensures the water is contained and not dispersed into the working environment. Noise attenuation is another benefit of the enclosed design.

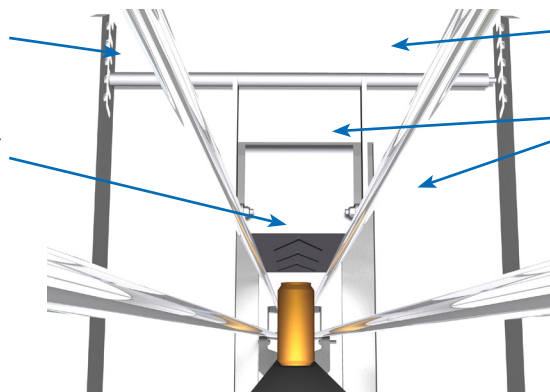
### Benefits include:

- All water spray contained and noise reduced
- Simple & quick to install
- Simple single operator adjustment for different can heights
- Easy to clean and maintain
- Permits height adjustments to process different can heights
- Water dispersed by innovative 'Y' shaped slot design
- Design produces less turbulence, lower noise than conventional
- Air Knife solutions - use low pressure air (20-30mBar)
- Can be applied to single or multi lane conveyor lines



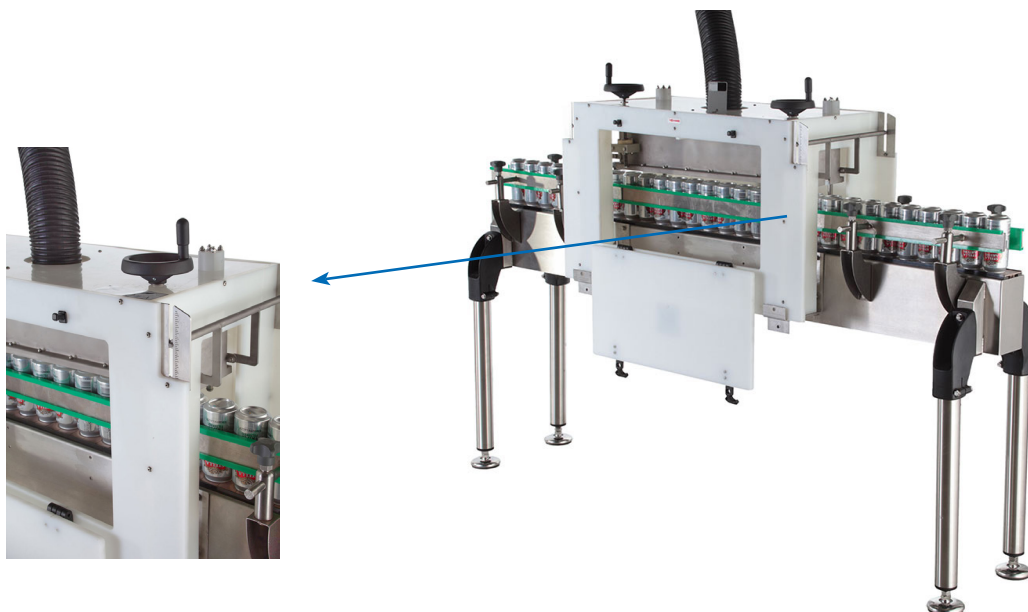
Can Drying Tunnels effectively sit over the conveyor line - no modifications necessary to existing guide rails

Series of 'Y' shaped slots strips water from tops or bottoms of cans



Simple adjustment for different can sizes

Polypropylene construction with Stainless Steel plenum. Construction acts as containment for both sound and liquid



# CAN DRYING TUNNELS

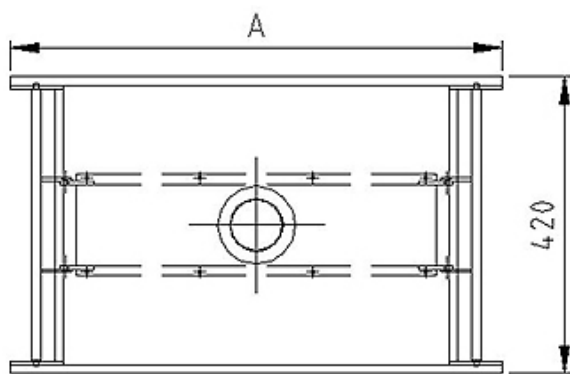


## Standard Construction

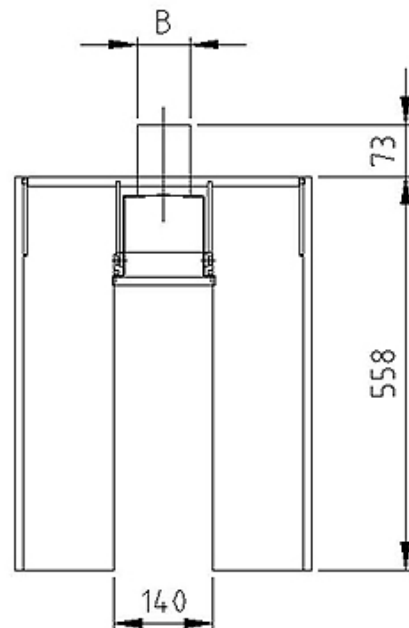
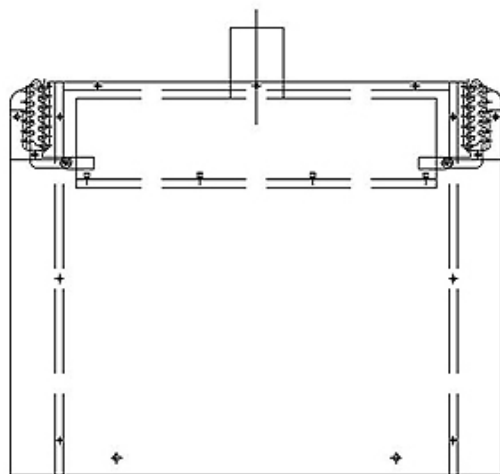
The Can Drying Tunnel is constructed from polypropylene with a stainless steel plenum and adjustment plate. The tunnel acts as a baffle plate for both sound and liquid.

## Standard Dimensions

The Can Drying Tunnels are available in a number of different configurations depending on parameters such as the speed of conveyor line and the area of the can that is required to be dried.



	A	B
2 SLOT	696	Ø76
3 SLOT	956	Ø100
4 SLOT	1216	Ø100



Please note (1) - all drawings measurements are in millimeters (mm)  
Please note (2) - above technical specifications are subject to change