

EPIOA COMPACT BELT-DRIVEN CENTRIFUGAL BLOWER

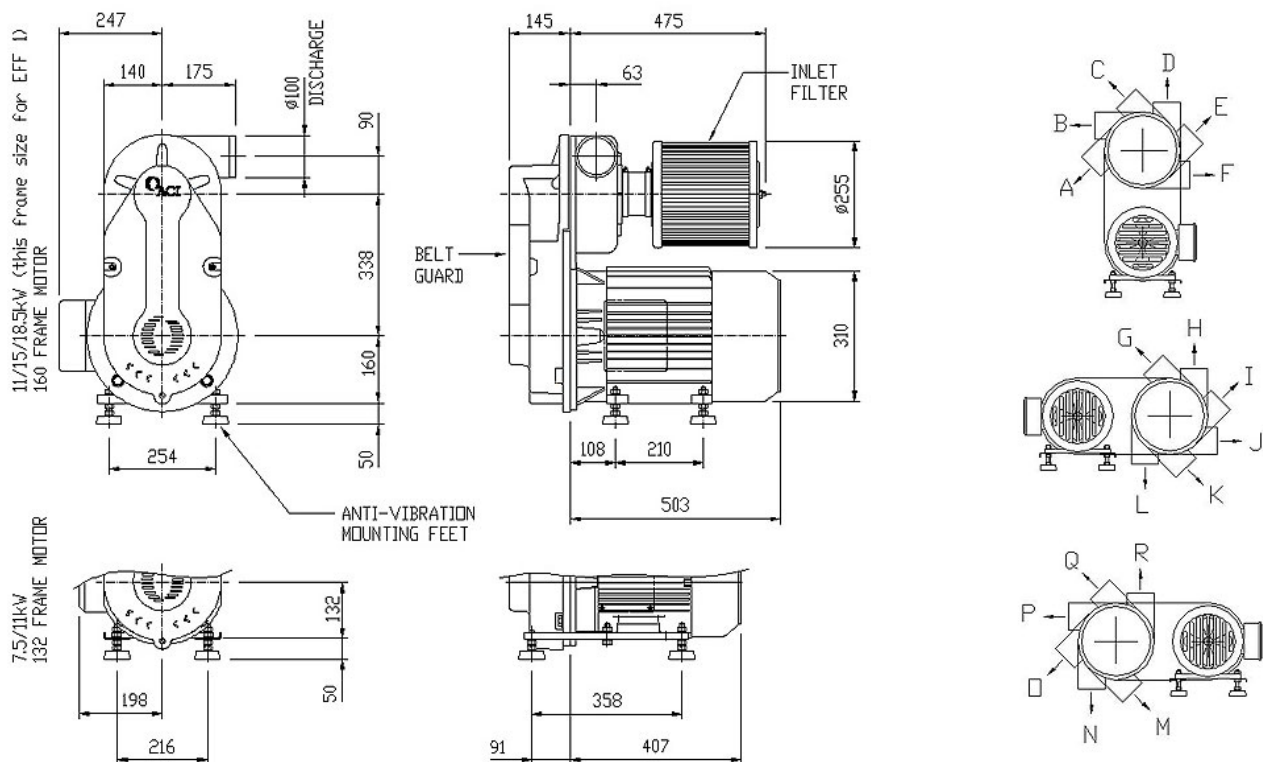
General Characteristics:



Image above may not be representative of unit supplied

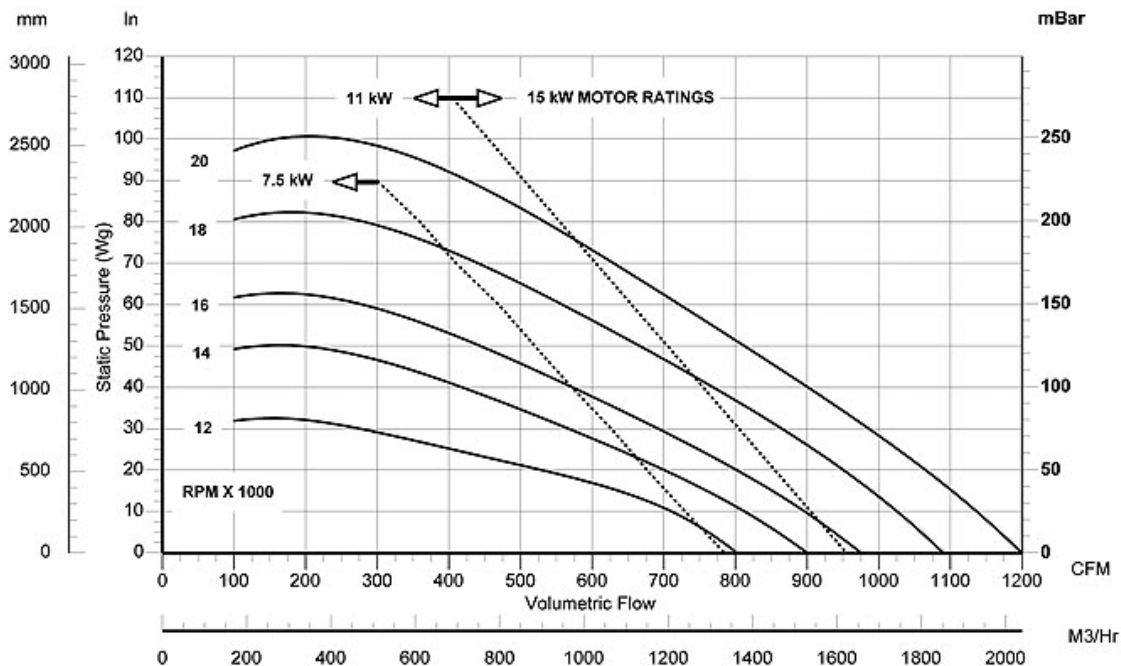
Motor type:	Induction type/ TEFC/ IP55
Nominal supply:	380-420VY/ 660-690Y 3Ph 50Hz 440-480D 3Ph 60 Hz
Materials:	Main housing assembly: Aluminium Impeller: Aluminium Shaft Assembly: Hardened tool steel Drive Pulley: Steel Motor Pulley: Aluminium
Mounting options:	Anti vibration feet
Noise levels:	82-91dB(A) Free Air, 1M (dependant on blower speed)
Weight:	70.0Kg/ 154Lbs (7.5kW motor plus fan)
Variations:	Hot-air version/ Available in Metric and NEMA frame versions

Outline dimensions:



EPIO COMPACT BELT-DRIVEN CENTRIFUGAL BLOWER

Pressure performance curves:



Vacuum performance curves:

