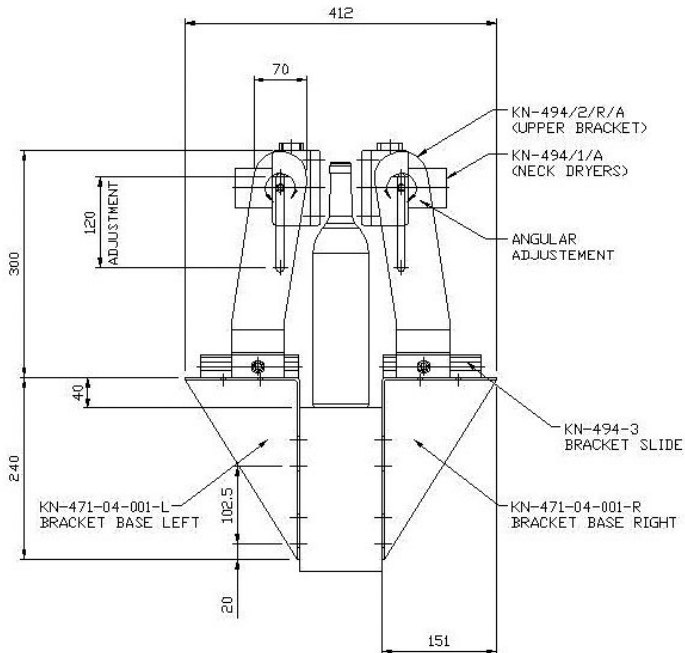
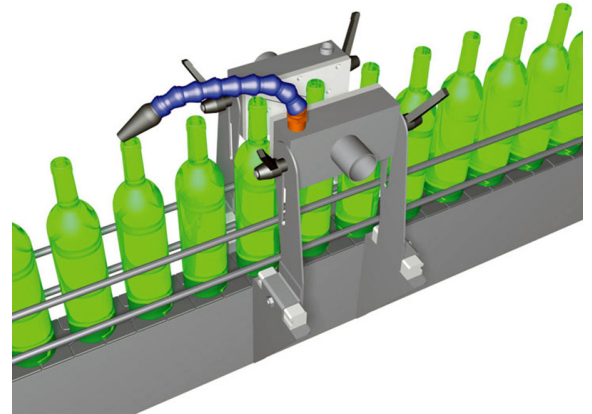


NECK DRYER

ACI's Neck Dryer is specifically intended for the drying of wine bottle necks so that labels will adhere effectively.

The design comprises of two stainless steel plenums, with a JetPlate discharge made from PE1000. Each plate has two slots of 100 x 1.5mm and a pre-determined slot pattern, allowing air to remove liquid from the product. The brackets that are supplied with this unit also allow for easy movement and adjustment.

The Neck Dryer fits over existing conveyor guide bars so no modification required. This unit can be adjusted to suit various sizes of products by modifying the position of the supplied brackets.



NOZZLE NOT SHOWN FOR CLARITY

