



ALMECO

air and water technologies



ADR

Belt driven axial fan



Our solutions

Almeco is a reliable partner for fans, drying systems and cooling towers. With our customer, we look for the most efficient solution, either a standard or a custom product. Moreover, we provide service and maintenance on existing products. Almeco is a specialist in water cooling towers: both delivering new towers as revamping, maintenance and water treatment. We also produce and distribute various types of industrial fans. Finally, Almeco develops drying solutions based on air knife technology to suit client specific requirements. Engineering and design are done with constant striving for safety and quality improvement.

Industrial fans and blowers

We offer a wide range of industrial fans and blowers: from small axial and centrifugal fans for standard applications to large custom made fans adapted to usage in the most demanding circumstances. Our range of products consists of axial and centrifugal fans, blowers, roof fans and ATEX fans.

Service for industrial fans

- Balancing
- Vibration measurement and analysis
- Sound measurement
- Replacement of spare parts, complete impellers or fans and accessories
- Maintenance and reparation, on-site or in our workspace
- Optimization of fans
- Upgrades

Almeco nv/sa

Rue de la Royenne 51
B-7700 Mouscron

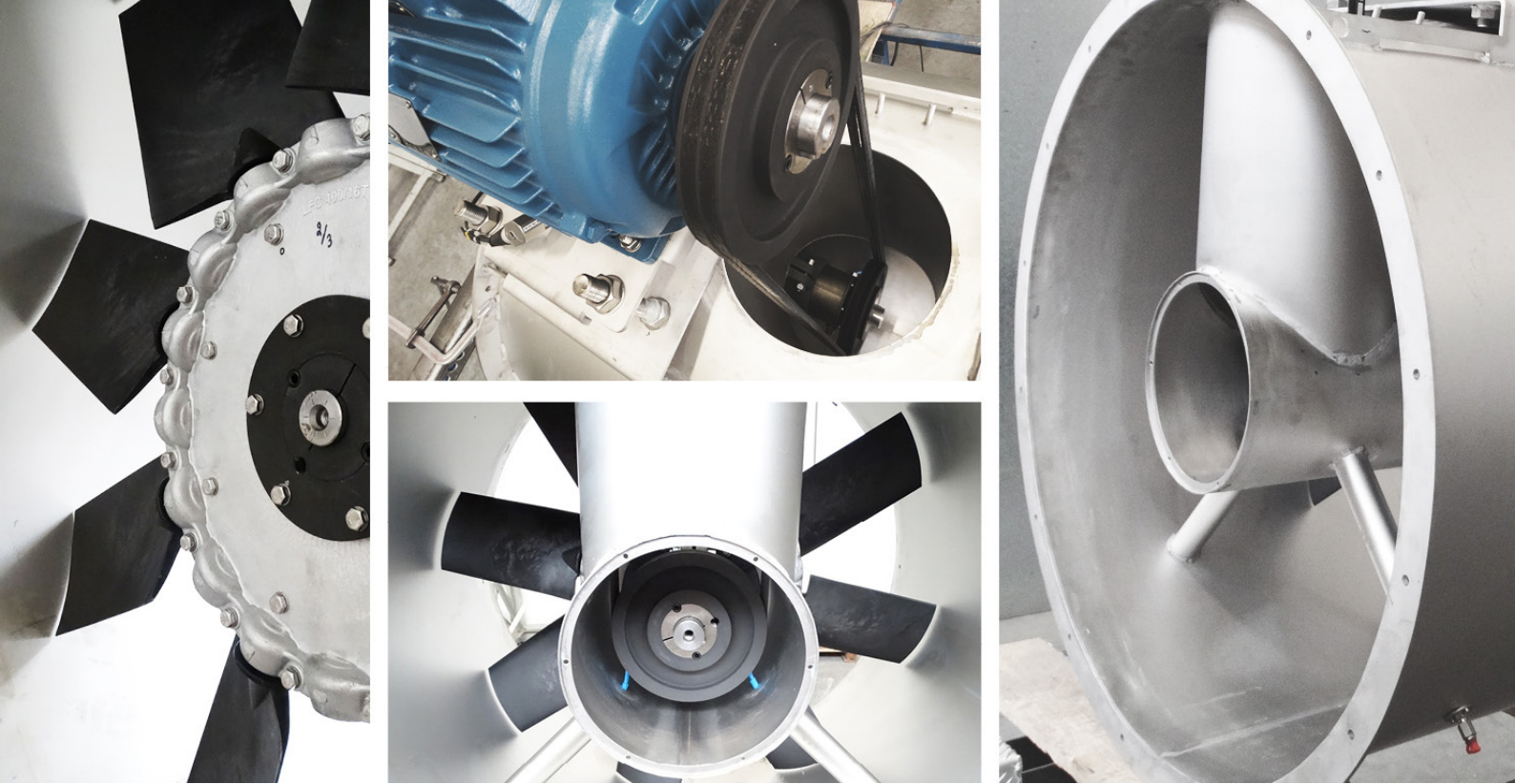
T: +32 (0)56 85 40 80

F: +32 (0)56 85 40 81

info@axongroup.com

www.almeco.eu





ErP directive for energy efficiency

The industrial fans produced by Almecco are designed to meet the **European ErP directive** (Ecodesign) for energy efficient fans. On their **optimum energy efficiency point** the fans - with a power input between 125 W and 500 kW - gain the **energy efficiency**, as stated by Regulation 327/2011.



Industrial fans consume about **20% of the total industrial powerconsumption** or a total consumption of 275 TWh. By the year **2020** the European Union aims a **global saving in electricity of 34 TWh**.

The **minimum energy efficiency** that industrial fans must meet, are dependent on:

- The type of fan: axial, centrifugal with backwards inclined blades...
- Measurement category (A, B, C, D): defines the inlet and outlet conditions of the fan under test
- Operation with or without frequency converters

This information is also mentioned on the type plate of the fan.

Timing for application of the ErP directive

2005: EuP directive (Energy-using Products Directive) is issued

2009: EuP directive is renamed as "ErP directive". Research into the potential savings of certain product categories is launched.

2011: Directive 640/2009: new efficiency classes for motors

2013: Directive 327-2011: new efficiency classes for fans
First phase of implementation: efficiency requirements for fans are obligatory (depending on category and type)

2015: Second phase of implementation with stricter requirements

2017: Third phase of implementation of which the requirements are even more strict

Characteristics

- Steel casing with welded bearing pedestal, standard with hot dip galvanized finishing after construction
- Bearing block and belt-drive completely isolated from the air stream
- Impeller with aluminium hub and glass fibre reinforced plastic or aluminium blades
- Standard IEC motors
- Standard diameters from 400 up to 1250 mm
- Volume from 1 m³/s up to 35 m³/s

Accessories

- Mounting feet
- Inlet wire guard
- Outlet wire guard
- Flexible connectors
- Counter flanges
- Access door
- Inlet bell
- Mounting plate

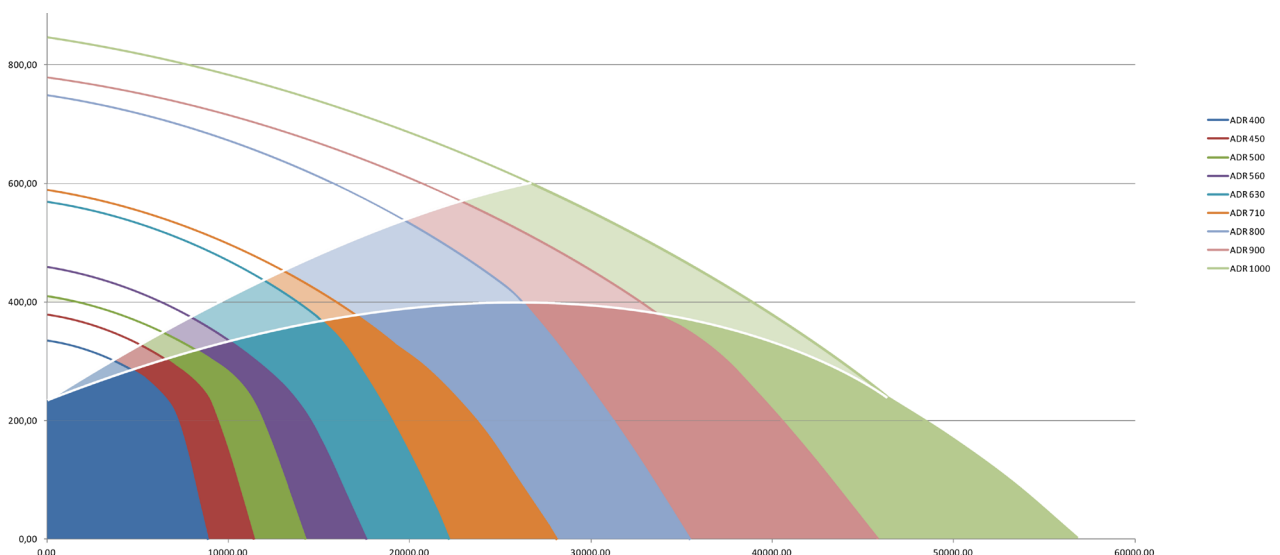
Dimensions

Type	PCD	n	Øg	ØF
400	438	12	12	465
450	487	12	12	515
500	541	12	12	565
560	605	16	12	635
630	674	16	14	706
710	751	16	14	786
800	837	24	14	876
900	934	24	14	976
1000	1043	24	14	1076

Type	63	71	80	90	100	112	132	160	180	200	225
	L	L	L	L	L	L	L	L	L	L	L
400	330	350	380	450	500						
450	330	350	380	450	500	500					
500	330	350	350	380	450	500	580				
560	330	350	380	450	500	580	580	750			
630	330	350	380	450	500	580	580	750			
710		350	380	450	500	580	580	750			
800			380	450	500	580	580	750			
900			380	450	500	580	580	750			
1000					500	580	580	750	850	1000	1150

Curves

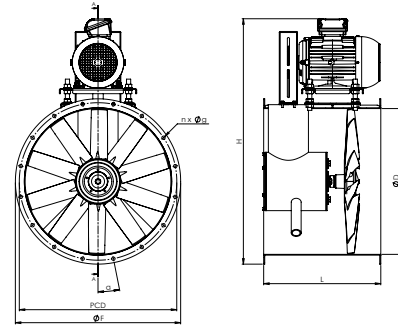
Static pressure (p) [Pa]



This information can be incorrect due to mistakes and may be changed at any time without prior notice.

Air flow (Q) [m³/h]

Drawing



Special configurations

- Tailor-made
- Stainless steel execution
- Larger diameters available upon request
- ATEX design for zone 1/21 and zone 2/22

AXON

axongroup.com

OUR BUSINESS UNITS:

- industrial fans
- fluid cooling systems
- drying solutions
- water treatment
- air treatment
- automation

ALMECO

info@axongroup.com
www.almeco.eu

Almeco Belgium (HQ)

ALMECO NV
Royennestraat 51
B-7700 Moeskroen
+32 (0)56 85.40.80

Almeco The Netherlands

ALMECO NEDERLAND BV
Postbus 32
NL-5550 AA Valkenswaard
+31 (0)40 80.80.000

Almeco France

ALMECO FRANCE SARL
Rue de Luxembourg 67
FR-59777 Euralille
+33 (0)3 28.48.26.68

PCA

info@axongroup.com

www.pcawater.com
www.pcacontrol.com
www.pca-air.com

PCA Main office

PCA NV
Wijngaardveld 10
B-9300 Aalst
+32 (0)53 21.33.55

PCA Regional office

PCA NV
Royennestraat 51
B-7700 Moeskroen
+32 (0)56 55.00.90