

Ventilateurs avec cadre

Pour les applications agricoles et industrielles



Détails technique monophasé 230 V / 50 Hz

| Ø (mm) | RPM | Item | type | P _{in} op 0 Pa (W) | SFP op 0 Pa (W/1000 m³/u) | I ₁ at 0 Pa (Δ) (A) | I ₂ at 0 Pa (Y) (A) | I ₁ max (Δ) (A) | I ₂ max (Y) (A) | Q _v (m³/u) | | | | | | Controllability* | L _{PA} ** dB (A) |
|--------|------|---------------|------------|-----------------------------|---------------------------|--------------------------------|--------------------------------|----------------------------|----------------------------|-----------------------|--------|--------|--------|--------|--------|------------------|---------------------------|
| | | | | | | | | | | 0 Pa | 30 Pa | 50 Pa | 80 Pa | 100 Pa | 150 Pa | | |
| 200 | 1400 | VWS20A01M1D | VWE20 | 60 | 92,3 | 0,5 | - | 0,5 | - | 650 | - | - | - | - | - | E / T | 43 |
| 250 | 1370 | VWS25A01M1D | VWE25 | 100 | 83,3 | 0,7 | - | 0,7 | - | 1.200 | - | - | - | - | - | E / T | 45 |
| 300 | 2750 | V2E30A0M11100 | 2E30 | 360 | 97,3 | 1,6 | - | 1,7 | - | 3.700 | 3.450 | 3.350 | 3.100 | 2.950 | 2.450 | E / T | 61 |
| 300 | 1400 | V4E30A0M11100 | 4E30 | 100 | 42,6 | 0,5 | - | 0,6 | - | 2.300 | 2.050 | 1.700 | - | - | - | E / T | 44 |
| 350 | 1400 | V4E35A0M11100 | 4E35 | 150 | 42,9 | 0,8 | - | 0,9 | - | 3.500 | 3.100 | 2.850 | - | - | - | E / T | 47 |
| 400 | 1405 | V4E40A4M11100 | 4E40 | 230 | 47,4 | 1,2 | - | 1,3 | - | 4.850 | 4.400 | 4.100 | 3.400 | - | - | E / T | 50 |
| 450 | 1400 | V4E45A0M11100 | 4E45 | 300 | 47,2 | 1,4 | - | 1,6 | - | 6.350 | 5.850 | 5.400 | 4.550 | - | - | E / T | 52 |
| 500 | 1400 | V4E50A0M11100 | 4E50 | 450 | 53,6 | 1,9 | - | 2,1 | - | 8.400 | 7.750 | 7.250 | 6.350 | 5.550 | - | E / T | 55 |
| 500 | 1400 | V4E50A1M11100 | 4E50-PG40 | 580 | 59,5 | 2,7 | - | 4,0 | - | 9.750 | 9.200 | 8.750 | 8.060 | 7.500 | - | E / T | 59 |
| 560 | 910 | V6E56A4M11100 | 6E56 | 250 | 32,7 | 1,2 | - | 1,3 | - | 7.650 | 6.750 | 5.800 | - | - | - | E / T | 52 |
| 630 | 910 | V6E63A3M11100 | 6E63 | 560 | 45,5 | 2,5 | - | 2,7 | - | 12.300 | 11.300 | 10.400 | 8.700 | - | - | E / T | 55 |
| 710 | 910 | V6E71A0M11100 | 6E71 | 590 | 43,3 | 2,8 | - | 3,5 | - | 13.600 | 12.250 | 11.300 | 9.700 | - | - | E / T | 60 |
| 920 | 920 | V6E92A0M11100 | 6E92 | 750 | 35,7 | 3,3 | - | 3,8 | - | 21.000 | 18.600 | 16.800 | 13.900 | - | - | T | 61 |
| 920 | 935 | V6E92A3M11100 | 6E92-3PG30 | 650 | 36,1 | 2,9 | - | 3,8 | - | 18.000 | 16.300 | 14.600 | 11.900 | - | - | E / T | 61 |

Détails techniques triphasé 230/400 V / 50 Hz

| Ø (mm) | RPM | Item | Type | P _{in} op 0 Pa (W) | SFP op 0 Pa (W/1000 m³/u) | I ₁ at 0 Pa (Δ) (A) | I ₂ at 0 Pa (Y) (A) | I ₁ max (Δ) (A) | I ₂ max (Y) (A) | Q _v (m³/u) | | | | | | Controllability* | L _{PA} ** dB (A) |
|--------|------|---------------|-------------|-----------------------------|---------------------------|--------------------------------|--------------------------------|----------------------------|----------------------------|-----------------------|--------|--------|--------|--------|--------|------------------|---------------------------|
| | | | | | | | | | | 0 Pa | 30 Pa | 50 Pa | 80 Pa | 100 Pa | 150 Pa | | |
| 300 | 2750 | V2D30A0M11100 | 2D30 | 330 | 89,2 | 1,2 | 0,7 | 1,3 | 0,7 | 3.700 | 3.550 | 3.400 | 3.200 | 3.050 | 2500 | T / F | 62 |
| 300 | 1450 | V4D30A0M11100 | 4D30 | 90 | 39,1 | 0,5 | 0,3 | 0,5 | 0,3 | 2.300 | 2.000 | 1.700 | - | - | - | T / F | 44 |
| 350 | 1450 | V4D35A0M11100 | 4D35 | 160 | 45,7 | 0,9 | 0,5 | 0,9 | 0,5 | 3.500 | 3.150 | 2.900 | - | - | - | T / F | 47 |
| 400 | 1400 | V4D40A4M11100 | 4D40 | 210 | 43,3 | 1 | 0,6 | 1 | 0,6 | 4.850 | 4.400 | 4.050 | 3.350 | - | - | T / F | 50 |
| 450 | 1350 | V4D45A0M11100 | 4D45 | 290 | 45,3 | 1,2 | 0,7 | 1,2 | 0,7 | 6.400 | 5.850 | 5.400 | 4.500 | - | - | T / F | 52 |
| 500 | 1400 | V4D50A0M11100 | 4D50 | 380 | 45,5 | 1,8 | 1,1 | 1,9 | 1,1 | 8.350 | 7.700 | 7.150 | 6.300 | 5.450 | - | T / F | 55 |
| 560 | 1455 | V4D56AAM11100 | 4D56 | 950 | 70,1 | 3,6 | 2,1 | 3,8 | 2,2 | 13.550 | 13.000 | 12.000 | 11.300 | 10.800 | - | T / F | 61 |
| 630 | 1360 | V4D63AAM11100 | 4D63 | 1100 | 69,2 | 3,9 | 2,3 | 4,2 | 2,4 | 15.900 | 15.200 | 14.700 | 13.800 | 13.400 | 11.700 | T / F | 63 |
| 710 | 1435 | V4D71AAM11100 | 4D71 | 1150 | 65,7 | 3,9 | 2,2 | 4,3 | 2,5 | 17.500 | 16.800 | 16.300 | 15.300 | 15.000 | 13.300 | F | 64 |
| 710 | 1375 | V4D71A0M11100 | 4D71 | 1800 | 85,8 | 7,5 | 4,4 | 9,7 | 5,6 | 21.200 | 20.200 | 19.500 | 18.400 | 17.600 | 15.700 | T / F | 69 |
| 450 | 940 | V6D45A2M11100 | 6D45-6PP-40 | 200 | 40,5 | 1 | 0,6 | 1,2 | 0,7 | 4.900 | 4.300 | 3.700 | - | - | - | T / F | 48 |
| 500 | 930 | V6D50A1M11100 | 6D50 | 220 | 35,2 | 1 | 0,6 | 1,2 | 0,7 | 6.250 | 5.500 | 4.650 | - | - | - | T / F | 50 |
| 560 | 890 | V6D56A0M11100 | 6D56 | 290 | 34,5 | 1,1 | 0,6 | 1,3 | 0,7 | 8.450 | 7.400 | 6.500 | - | - | - | T / F | 49 |
| 630 | 905 | V6D63A4M11100 | 6D63-5PG-40 | 560 | 46,1 | 2,1 | 1,2 | 2,5 | 1,5 | 12.200 | 11.100 | 10.300 | 8.700 | - | - | T / F | 54 |
| 710 | 895 | V6D71B1M11100 | 6D71 | 760 | 53,9 | 2,6 | 1,5 | 2,7 | 1,6 | 15.700 | 14.300 | 13.300 | 11.500 | - | - | T / F | 56 |
| 920 | 895 | V6D92A1M11100 | 6D92 | 670 | 32,9 | 2,4 | 1,4 | 2,7 | 1,5 | 20.400 | 18.100 | 16.200 | 13.200 | - | - | T / F | 61 |
| 920 | 905 | V6D92A2M11100 | 6D92-3PG-28 | 1050 | 42,5 | 4,1 | 2,4 | 5 | 2,9 | 24.500 | 22.600 | 20.500 | 17.300 | 14.300 | - | T / F | 63 |

Data according ErP (Energy related Products)-directives (EU Commission Regulation 327/2011). Measurements without wireguard.

* E = Electronically controllable (electronic voltage control by TRIAC)

T = Trafo controllable (voltage control by transformer)

F = (Frequency controllable by frequency controller). A frequency controller in combination with a single-phase motor is possible.

** Sound pressure level measured at 7 m. free blowing distance. All motors meet the IP55 standard.

Ventilateurs avec cadre

Dimensions (mm)

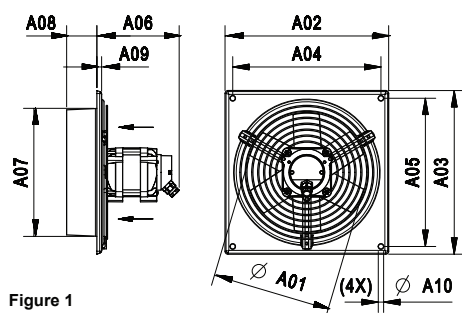


Figure 1

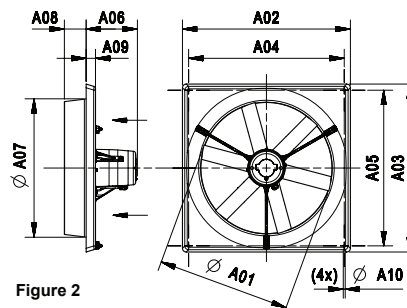


Figure 2

| Code produit | | A01 | A02 | A03 | A04 | A05 | A06 | A07 | A08 | A09 | A10 | Poids (kg) | Emballage (LxBxH) |
|---------------|----------|-----|------|------|-----|-----|-----|-----|-----|-----|-----|------------|-------------------|
| VWS20A01M1D | Figure 1 | 200 | 276 | 276 | 250 | 250 | 139 | 216 | 51 | 8 | 9 | 3,3 | 280 x 280 x 190 |
| VWS25A01M1D | Figure 1 | 250 | 326 | 326 | 300 | 300 | 149 | 266 | 51 | 8 | 9 | 4,1 | 330 x 330 x 190 |
| V2E30A0M11100 | Figure 2 | 312 | 443 | 443 | 395 | 395 | 192 | 340 | 84 | 36 | 8 | 9 | 450 x 450 x 289 |
| V4E30A0M11100 | Figure 2 | 312 | 443 | 443 | 395 | 395 | 192 | 340 | 84 | 36 | 8 | 8,9 | 450 x 450 x 289 |
| V4E35A0M11100 | Figure 2 | 362 | 493 | 493 | 445 | 445 | 192 | 390 | 84 | 36 | 8 | 8,5 | 500 x 500 x 289 |
| V4E40A4M11100 | Figure 2 | 415 | 543 | 543 | 495 | 495 | 192 | 440 | 84 | 36 | 8 | 8,8 | 550 x 550 x 289 |
| V4E45A0M11100 | Figure 2 | 460 | 593 | 593 | 545 | 545 | 192 | 490 | 84 | 36 | 8 | 10,6 | 600 x 600 x 289 |
| V4E50A0M11100 | Figure 2 | 512 | 648 | 648 | 600 | 600 | 192 | 540 | 84 | 36 | 8 | 12,8 | 654 x 654 x 289 |
| V4E50A1M11100 | Figure 2 | 646 | 775 | 775 | 715 | 715 | 247 | 670 | 105 | 40 | 10 | 21,5 | 780 x 780 x 353 |
| V6E56A4M11100 | Figure 2 | 574 | 700 | 700 | 640 | 640 | 247 | 600 | 105 | 40 | 10 | 21,5 | 705 x 705 x 370 |
| V6E63A3M11100 | Figure 2 | 646 | 775 | 775 | 715 | 715 | 247 | 670 | 105 | 40 | 10 | 21,1 | 780 x 780 x 353 |
| V6E71A0M11100 | Figure 2 | 712 | 850 | 850 | 790 | 790 | 247 | 740 | 105 | 40 | 10 | 21,2 | 855 x 855 x 353 |
| V6E92A0M11100 | Figure 2 | 915 | 1005 | 1005 | 947 | 947 | 247 | 940 | 93 | 40 | 10 | 24 | - |
| V6E92A3M11100 | Figure 2 | 915 | 1005 | 1005 | 947 | 947 | 247 | 940 | 93 | 40 | 10 | 24 | - |
| V2D30A0M11100 | Figure 2 | 312 | 443 | 443 | 395 | 395 | 192 | 340 | 84 | 36 | 8 | 10 | 450 x 450 x 289 |
| V4D30A0M11100 | Figure 2 | 312 | 443 | 443 | 395 | 395 | 192 | 340 | 84 | 36 | 8 | 8,8 | 450 x 450 x 289 |
| V4D35A0M11100 | Figure 2 | 362 | 493 | 493 | 445 | 445 | 192 | 390 | 84 | 36 | 8 | 9,6 | 500 x 500 x 289 |
| V4D40A4M11100 | Figure 2 | 415 | 543 | 543 | 495 | 495 | 192 | 440 | 84 | 36 | 8 | 8,5 | 450 x 450 x 289 |
| V4D45A0M11100 | Figure 2 | 460 | 593 | 593 | 545 | 545 | 192 | 490 | 84 | 36 | 8 | 11,5 | 600 x 600 x 289 |
| V4D50A0M11100 | Figure 2 | 512 | 648 | 648 | 600 | 600 | 192 | 540 | 84 | 36 | 8 | 10,7 | 654 x 654 x 289 |
| V4D56AAM11100 | Figure 2 | 574 | 700 | 700 | 640 | 640 | 247 | 600 | 105 | 40 | 10 | 18,4 | 705 x 705 x 370 |
| V4D63AAM11100 | Figure 2 | 646 | 775 | 775 | 715 | 715 | 247 | 670 | 105 | 40 | 10 | 21,6 | 780 x 780 x 353 |
| V4D71A0M11100 | Figure 2 | 712 | 850 | 850 | 790 | 790 | 247 | 740 | 105 | 40 | 10 | 23,9 | 855 x 855 x 353 |
| V6D45A2M11100 | Figure 2 | 460 | 593 | 593 | 545 | 545 | 192 | 490 | 84 | 36 | 8 | 11 | 600 x 600 x 289 |
| V6D50A1M11100 | Figure 2 | 512 | 648 | 648 | 600 | 600 | 192 | 540 | 84 | 36 | 8 | 13 | 654 x 654 x 289 |
| V6D56A0M11100 | Figure 2 | 574 | 700 | 700 | 640 | 640 | 247 | 600 | 105 | 40 | 10 | 14,8 | 705 x 705 x 370 |
| V6D63A4M11100 | Figure 2 | 646 | 775 | 775 | 715 | 715 | 247 | 670 | 105 | 40 | 10 | 20 | 780 x 780 x 353 |
| V6D71B1M11100 | Figure 2 | 712 | 850 | 850 | 790 | 790 | 247 | 740 | 105 | 40 | 10 | 21,3 | 855 x 855 x 353 |
| V6D92A1M11100 | Figure 2 | 915 | 1005 | 1005 | 947 | 947 | 247 | 940 | 93 | 40 | 10 | 25 | - |
| V6D92A2M11100 | Figure 2 | 915 | 1005 | 1005 | 947 | 947 | 247 | 940 | 93 | 40 | 10 | 24,1 | - |