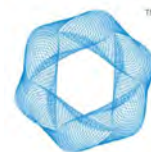




ALMECO

air and water technologies



FPZ
BLOWER TECHNOLOGY

GOR/GVR
Side channel blowers

SIDE CHANNEL BLOWER • EXECUTION GOR/GVR

CONTENT

TYPE MS

- K04MS GOR/GVR [Page 3](#)
- K05MS GOR/GVR [Page 5](#)
- K06MS GOR/GVR [Page 7](#)
- K07MS GOR/GVR [Page 9](#)
- K75MS GOR/GVR [Page 11](#)
- K08MS GOR/GVR [Page 13](#)
- K09MS GOR/GVR [Page 15](#)
- K10MS GOR/GVR [Page 17](#)
- K11MS GOR/GVR [Page 19](#)
- K12MS GOR/GVR [Page 21](#)

TYPE MD

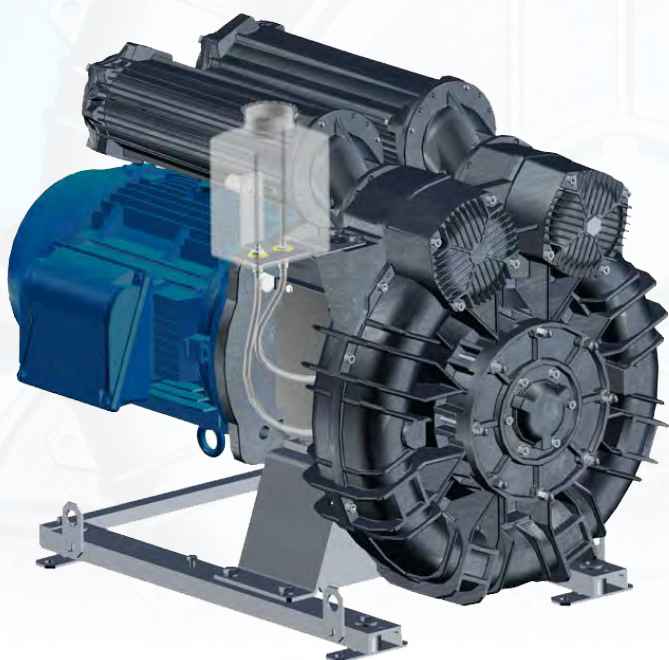
- R20MD GOR [Page 23](#)
- R30MD GOR [Page 25](#)
- R40MD GOR [Page 27](#)
- K07RMD GOR/GVR [Page 31](#)
- K08RMD GOR/GVR [Page 33](#)
- K09MD GOR/GVR [Page 35](#)
- K10MD GOR/GVR [Page 37](#)
- K11MD GOR/GVR [Page 39](#)
- K12MD GOR/GVR [Page 41](#)

TYPE TS

- K05TS GOR/GVR [Page 43](#)
- K06TS GOR/GVR [Page 45](#)
- K07TS GOR/GVR [Page 47](#)
- K08TS GOR/GVR [Page 49](#)
- K09TS GOR/GVR [Page 51](#)
- K10TS GOR/GVR [Page 53](#)
- K11TS GOR/GVR [Page 55](#)
- K12TS GOR/GVR [Page 57](#)

TYPE TD

- K04TD GOR [Page 59](#)
- K05TD GOR [Page 61](#)
- K06TD GOR [Page 63](#)
- K07TD GOR [Page 65](#)
- K08TD GOR [Page 67](#)
- K09TD GOR [Page 69](#)
- K10TD GOR [Page 71](#)
- K11TD GOR [Page 73](#)
- K12TD GOR [Page 75](#)



SIDE CHANNEL BLOWER • VERSION IE3

K04MS GOR/GVR

Technical characteristics

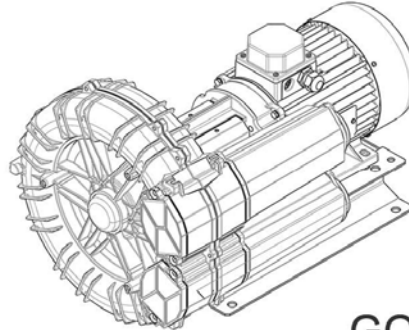
- Aluminium alloy construction
- Smooth operation
- Maintenance free

Electric motor

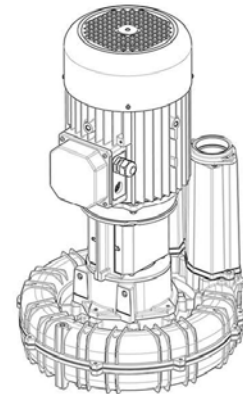
- Motors with IP55 protection rating
- Class F(B) insulation

Options

- Special voltages (IEC 60038)
- Surface treatments
- Increased seal version
- VFD compatible motor
- PTO/PTC thermal protector



GOR



GVR

PERFORMANCE TABLE

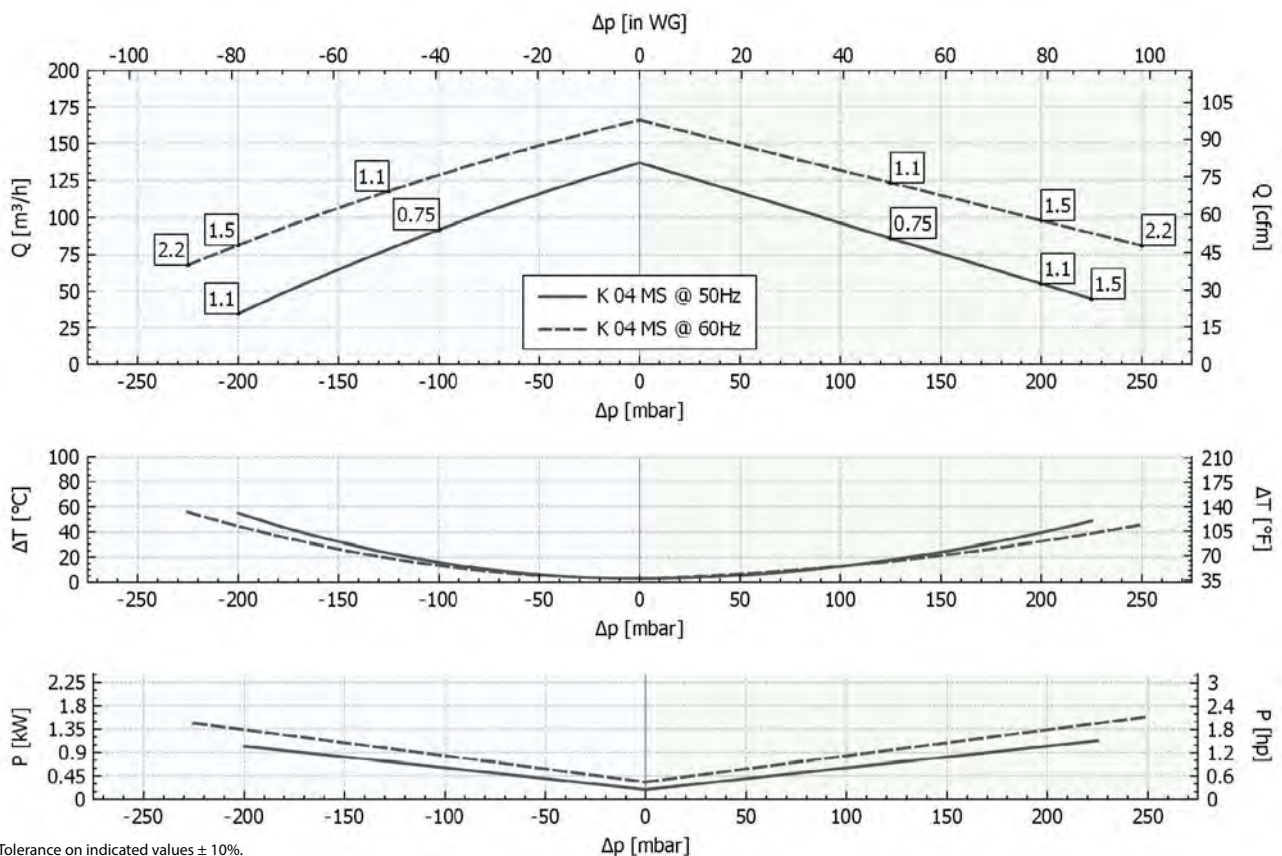
P _n [kW]	Frequency [Hz]	Δp _{max} [mbar]		Q _{max} [m ³ /h]	Leq ¹ [dB(A)]	Weight [kg] GOR / GVR	H ³ [mm]
		Suction	Compression				
0.75	50	100	125	137	61.6	21.0 / 18.5	466
1.1	50	200	200	137	61.6	22.5 / 20.0	466
1.1	60	125	125	166	63.6	22.5 / 20.0	466
1.5	50	-	225	137	61.6	26.0 / 23.5	493
1.5	60	200	200	166	63.6	26.0 / 23.5	493
2.2	60	225	250	166	63.6	28.0 / 25.5	518

1. Noise level measured at a distance of 1 m with ducted intake and delivery, in accordance with Standard ISO 3744.

2. See figure "dimensions" at following page.

SUCTION

COMPRESSION

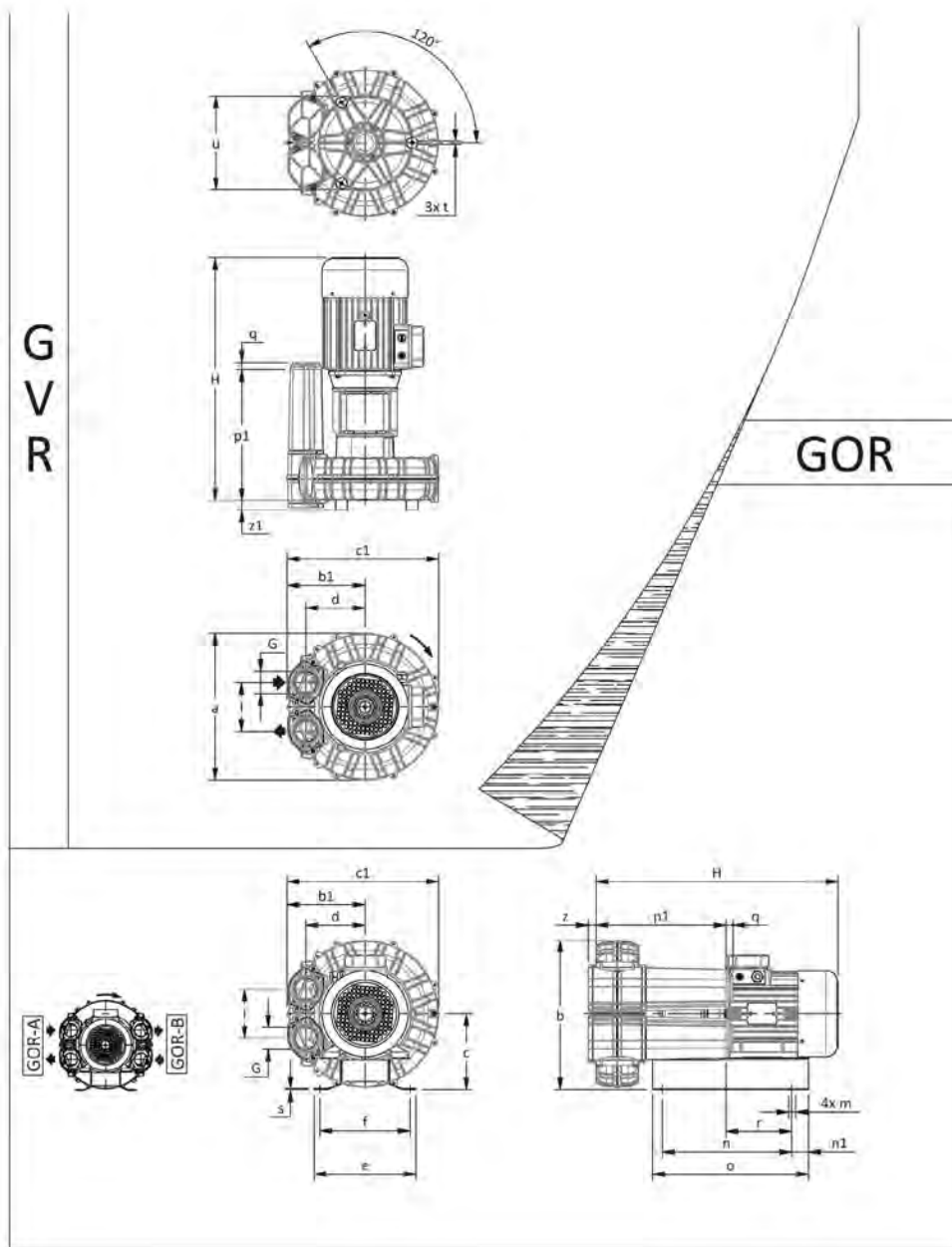


Tolerance on indicated values $\pm 10\%$.

Data subject to change without notice.

Curves referring to air at a temperature of 20 $^{\circ}C$ and atmospheric pressure of 1013 mbar (abs).

DIMENSIONS



Configuration with a vertical silencer is only available with the CK accessory kit; for all assembly options refer to FPZ.

Dimensions in mm

NOT Binding

a	b	b1	c	c1	d	d1	e	f	G	I	I1	I2	m				
285	326	164	162	307	123	-	200	170	G 1" 1/2	102	-	-	12				
n	n1	o	o1	p1	p2	q	r	r1	s	s1	t	u	v	w	x	z	z1
290	16	322	-	222	-	18	85	-	3	-	M6	175	-	-	-	18	25

INSTALLATION

- For proper operation of the machine, it must be provided with a suction FILTER and a vacuum/pressure limiting VALVE.
- Other accessories are available on request.
- Permissible ambient and fluid temperature in suction from -15 °C to +40 °C.
- Read the instruction manual carefully before installing the machine.

SIDE CHANNEL BLOWER • VERSION IE3

K05MS GOR/GVR

Technical characteristics

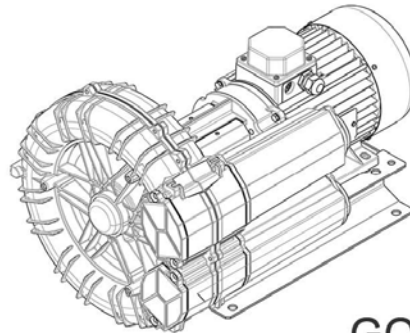
- Aluminium alloy construction
- Smooth operation
- Maintenance free

Electric motor

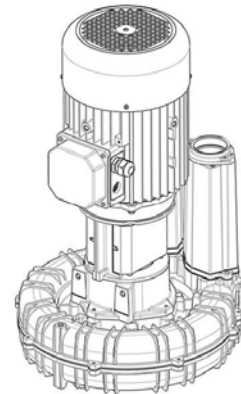
- Motors with IP55 protection rating
- Class F(B) insulation

Options

- Special voltages (IEC 60038)
- Surface treatments
- Increased seal version
- VFD compatible motor
- PTO/PTC thermal protector



GOR



GVR

PERFORMANCE TABLE

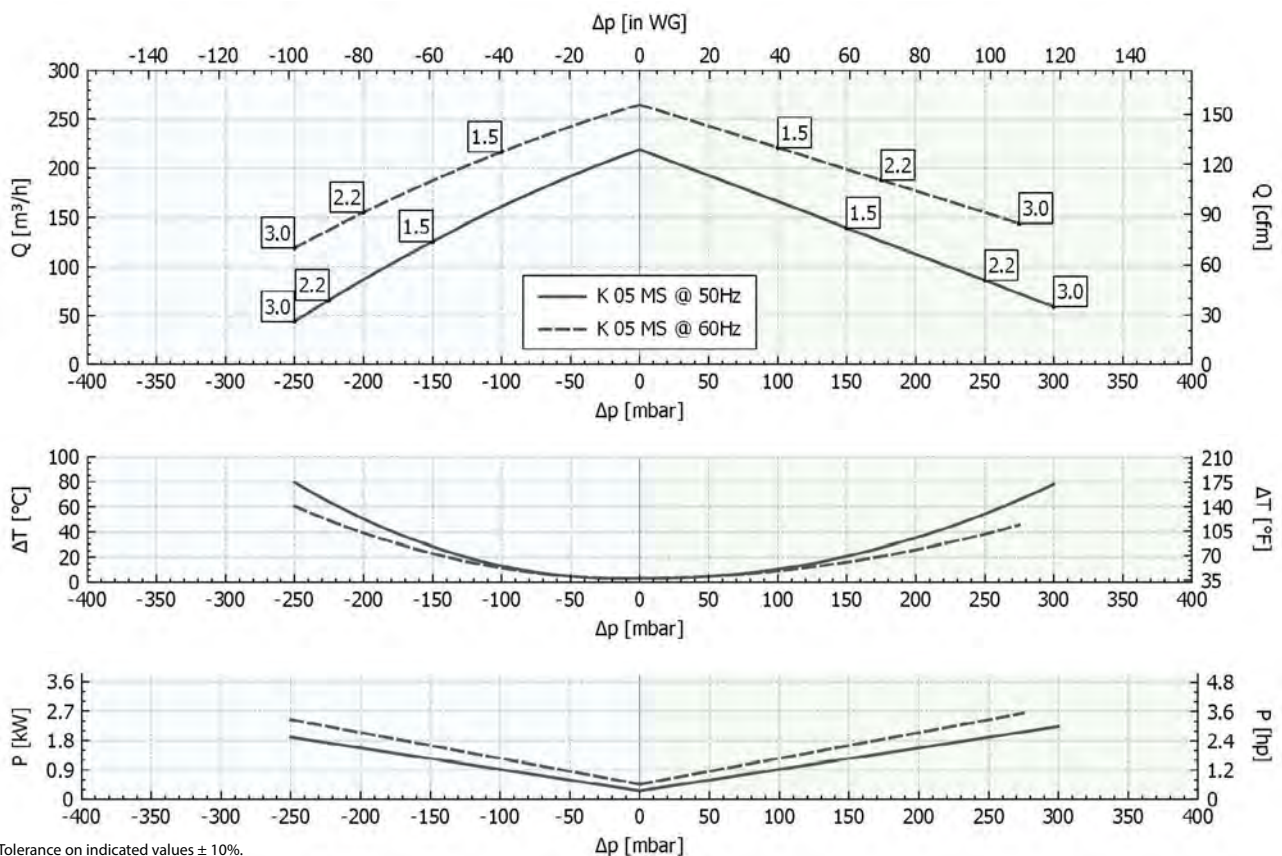
P _n [kW]	Frequency [Hz]	Δp _{max} [mbar]		Q _{max} [m ³ /h]	Leq ¹ [dB(A)]	Weight [kg] GOR / GVR	H ³ [mm]
		Suction	Compression				
1.5	50	150	150	219	67.2	31.5 / 28.0	525
1.5	60	100	100	265	69.2	31.5 / 28.0	525
2.2	50	225	250	219	67.2	33.5 / 30.0	550
2.2	60	200	175	265	69.2	33.5 / 30.0	550
3	50	250	300	219	67.2	41.0 / 37.5	587
3	60	250	275	265	69.2	41.0 / 37.5	587

1. Noise level measured at a distance of 1 m with ducted intake and delivery, in accordance with Standard ISO 3744.

2. See figure "dimensions" at following page.

SUCTION

COMPRESSION

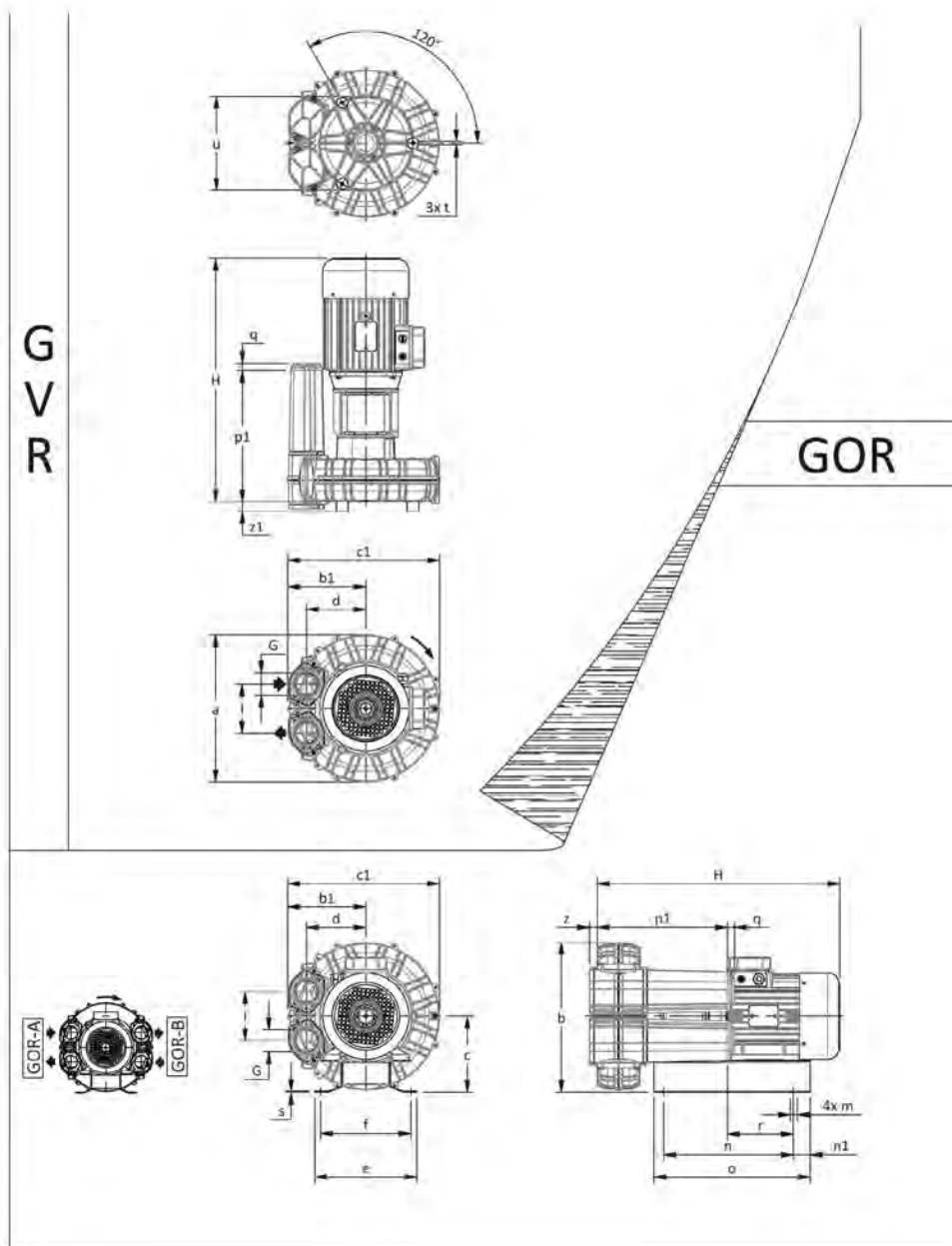


Tolerance on indicated values $\pm 10\%$.

Data subject to change without notice.

Curves referring to air at a temperature of 20 °C and atmospheric pressure of 1013 mbar (abs).

DIMENSIONS



Configuration with a vertical silencer is only available with the CK accessory kit; for all assembly options refer to FPZ.

Dimensions in mm
NOT Binding

a	b	b1	c	c1	d	d1	e	f	G	l	l1	l2	m				
327	386	192	194	355	145	-	260	230	G 2"	120	-	-	14				
n	n1	o	o1	p1	p2	q	r	r1	s	s1	t	u	v	w	x	z	z1
350	25	400	-	320	-	18	162	-	3	-	M8	200	-	-	-	19	25

INSTALLATION

- For proper operation of the machine, it must be provided with a suction FILTER and a vacuum/pressure limiting VALVE.
- Other accessories are available on request.
- Permissible ambient and fluid temperature in suction from -15 °C to +40 °C.
- Read the instruction manual carefully before installing the machine.

SIDE CHANNEL BLOWER • VERSION IE3

K06MS GOR/GVR

Technical characteristics

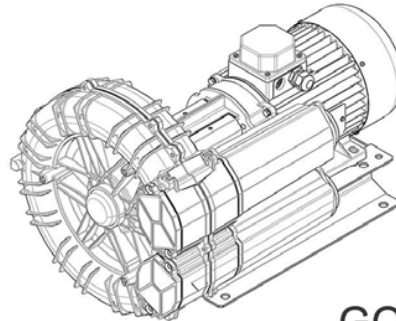
- Aluminium alloy construction
- Smooth operation
- Maintenance free

Electric motor

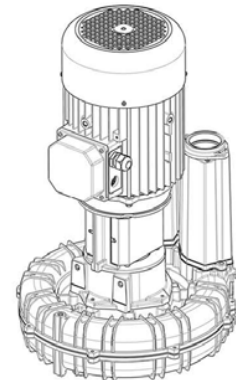
- Motors with IP55 protection rating
- Class F(B) insulation

Options

- Special voltages (IEC 60038)
- Surface treatments
- Increased seal version
- VFD compatible motor
- PTO/PTC thermal protector



GOR



GVR

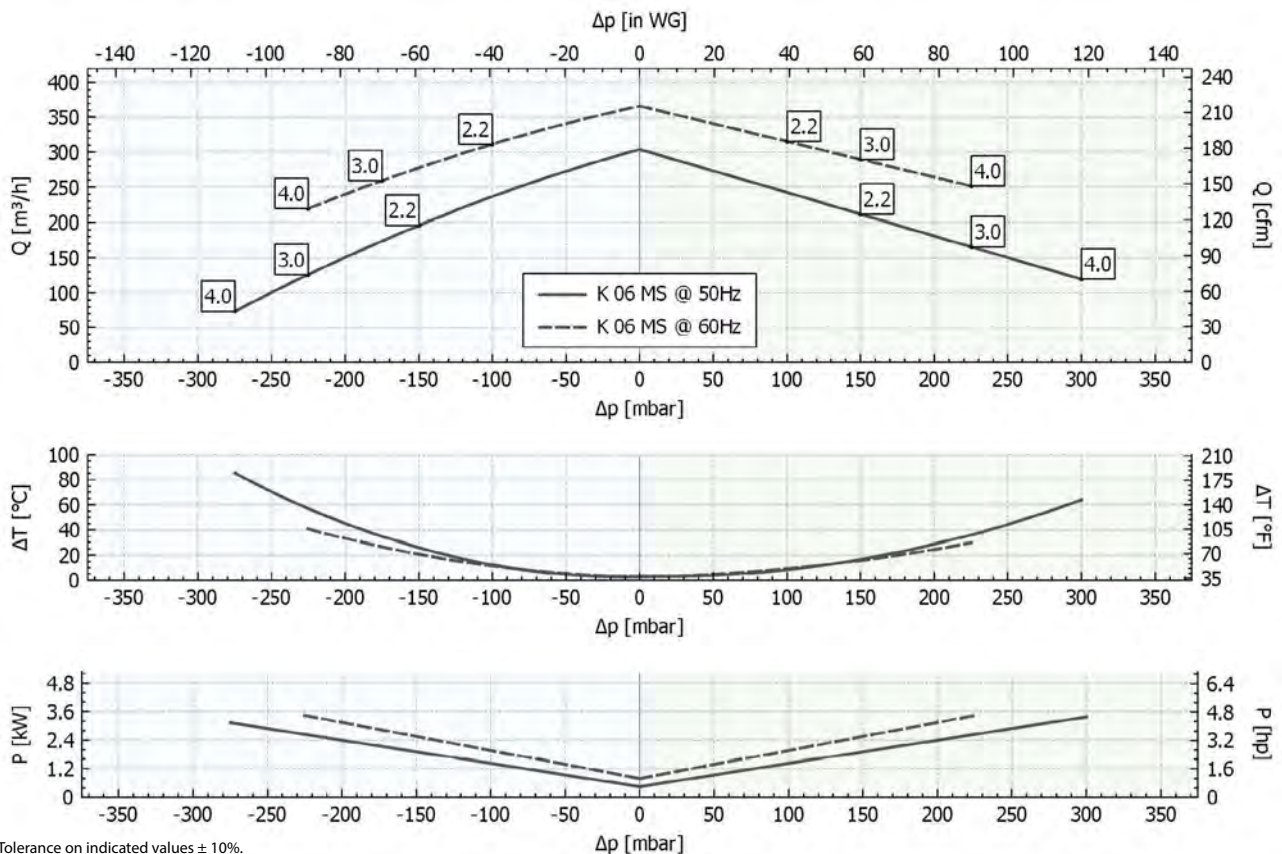
PERFORMANCE TABLE

P _n [kW]	Frequency [Hz]	Δp _{max} [mbar]		Q _{max} [m ³ /h]	Leq ¹ [dB(A)]	Weight [kg] GOR / GVR	H ³ [mm]
		Suction	Compression				
2.2	50	150	150	304	70	35.5 / 32.0	562
2.2	60	100	100	366	72	35.5 / 32.0	562
3	50	225	225	304	70	43.0 / 39.5	599
3	60	175	150	366	72	43.0 / 39.5	599
4	50	275	300	304	70	48.5 / 45.0	622
4	60	225	225	366	72	48.5 / 45.0	622

1. Noise level measured at a distance of 1 m with ducted intake and delivery, in accordance with Standard ISO 3744.
 2. See figure "dimensions" at following page.

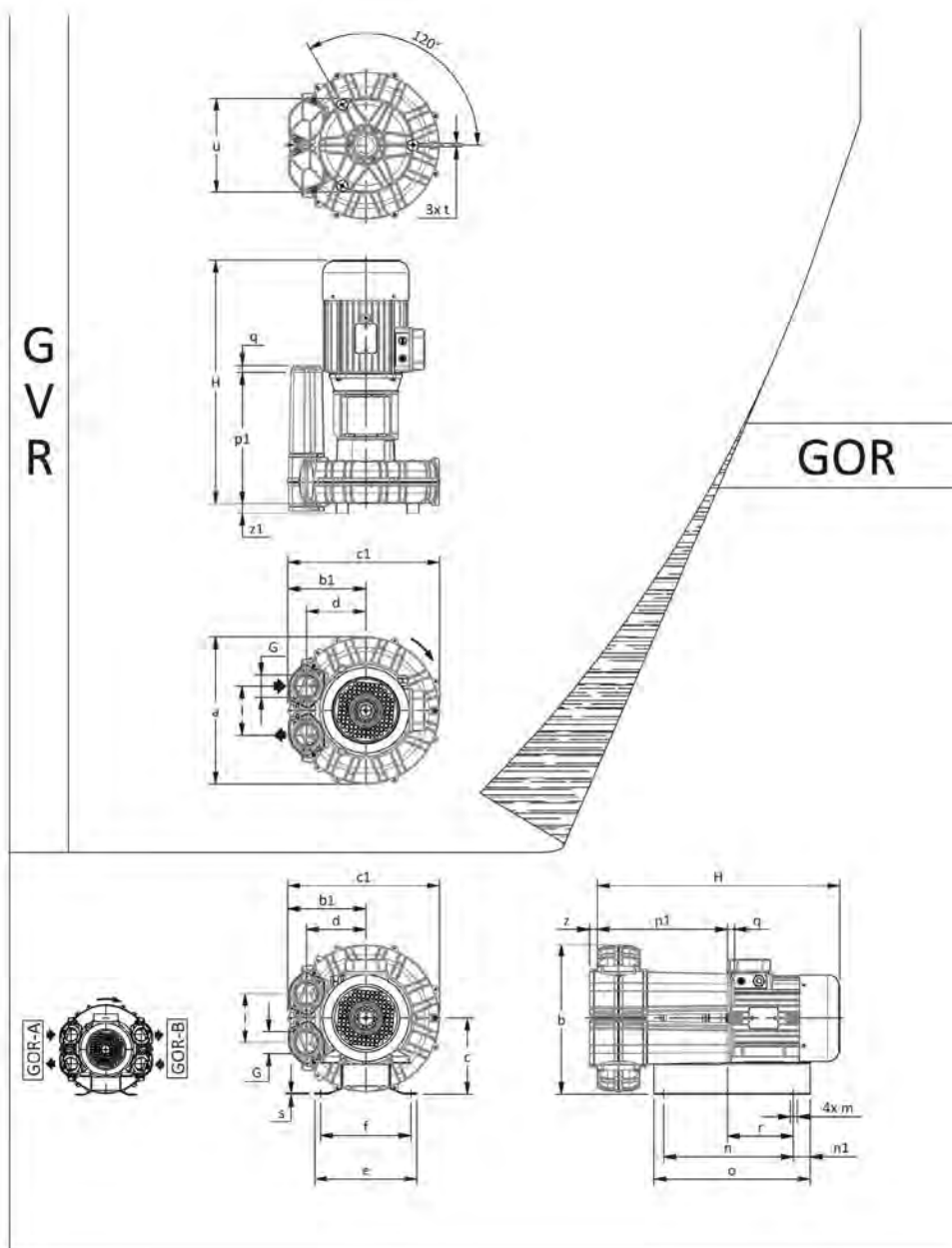
SUCTION

COMPRESSION



Tolerance on indicated values ± 10%.
 Data subject to change without notice.
 Curves referring to air at a temperature of 20 °C and atmospheric pressure of 1013 mbar (abs).

DIMENSIONS



Configuration with a vertical silencer is only available with the CK accessory kit; for all assembly options refer to FPZ.

Dimensions in mm

NOT Binding

a	b	b1	c	c1	d	d1	e	f	G	l	l1	l2	m				
376	393	199	194	387	150	-	260	230	G 2"	125	-	-	14				
n	n1	o	o1	p1	p2	q	r	r1	s	s1	t	u	v	w	x	z	z1
350	25	400	-	334	-	18	164	-	3	-	M8	240	-	-	-	19	25

INSTALLATION

- For proper operation of the machine, it must be provided with a suction FILTER and a vacuum/pressure limiting VALVE.
- Other accessories are available on request.
- Permissible ambient and fluid temperature in suction from -15 °C to +40 °C.
- Read the instruction manual carefully before installing the machine.

SIDE CHANNEL BLOWER • VERSION IE3

K07MS GOR/GVR

Technical characteristics

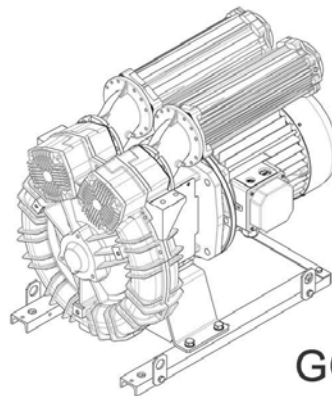
- Aluminium alloy construction
- Smooth operation
- Maintenance free

Electric motor

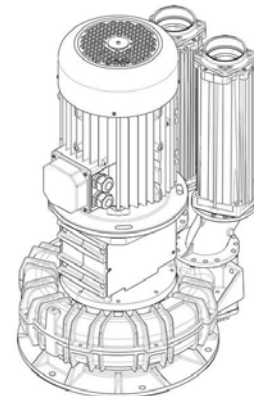
- Motors with IP55 protection rating
- Class F(B) insulation

Options

- Special voltages (IEC 60038)
- Surface treatments
- Increased seal version
- VFD compatible motor
- PTO/PTC thermal protector



GOR



GVR

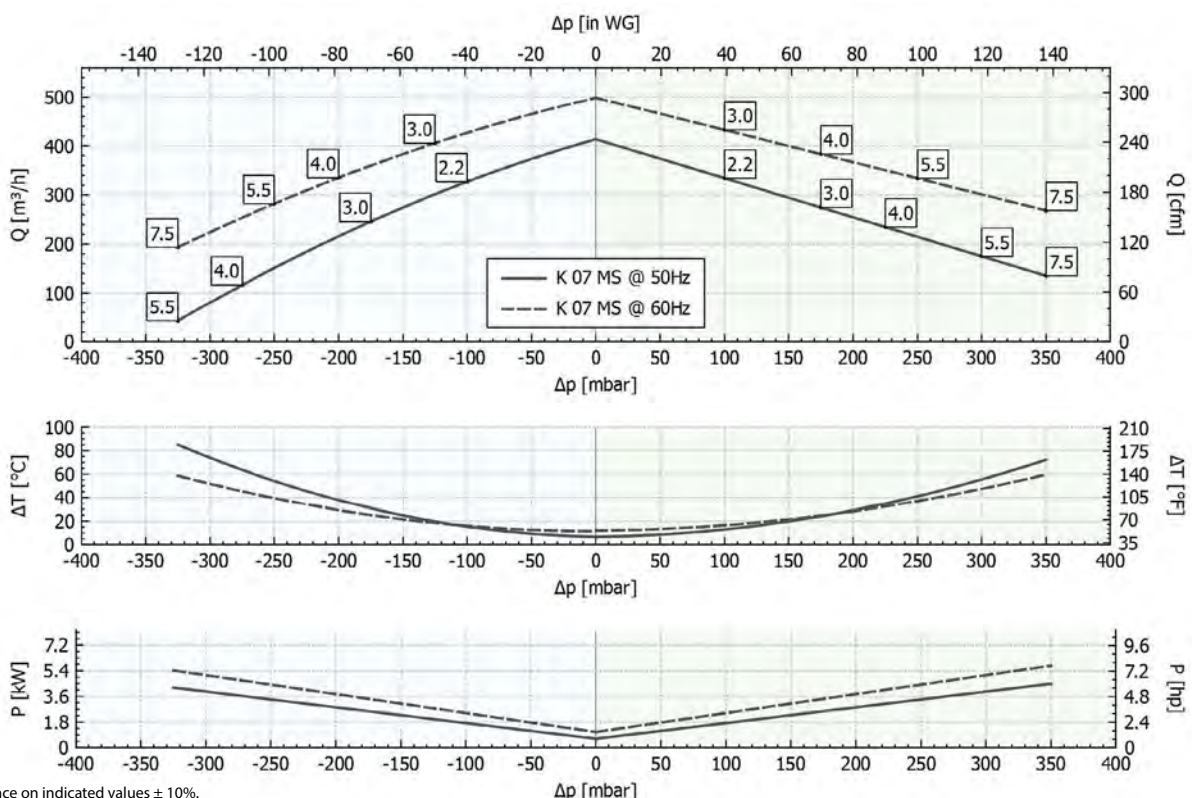
PERFORMANCE TABLE

P _n [kW]	Frequency [Hz]	Δp _{max} [mbar]		Q _{max} [m³/h]	Leq ¹ [dB(A)]	Weight [kg] GOR / GVR	H ³ [mm]
		Suction	Compression				
2.2	50	100	100	414	75.4	67.0 / 58.0	576
3	50	175	175	414	75.4	74.5 / 65.5	618
3	60	125	100	499	77.4	74.5 / 65.5	618
4	50	275	225	414	75.4	80.5 / 71.5	641
4	60	200	175	499	77.4	80.5 / 71.5	641
5.5	50	325	300	414	75.4	87.0 / 78.0	641
5.5	60	250	250	499	77.4	87.0 / 78.0	641
7.5	50	-	350	414	75.4	104.0 / 95.0	702
7.5	60	325	350	499	77.4	104.0 / 95.0	702

1. Noise level measured at a distance of 1 m with ducted intake and delivery, in accordance with Standard ISO 3744.
2. See figure "dimensions" at following page.

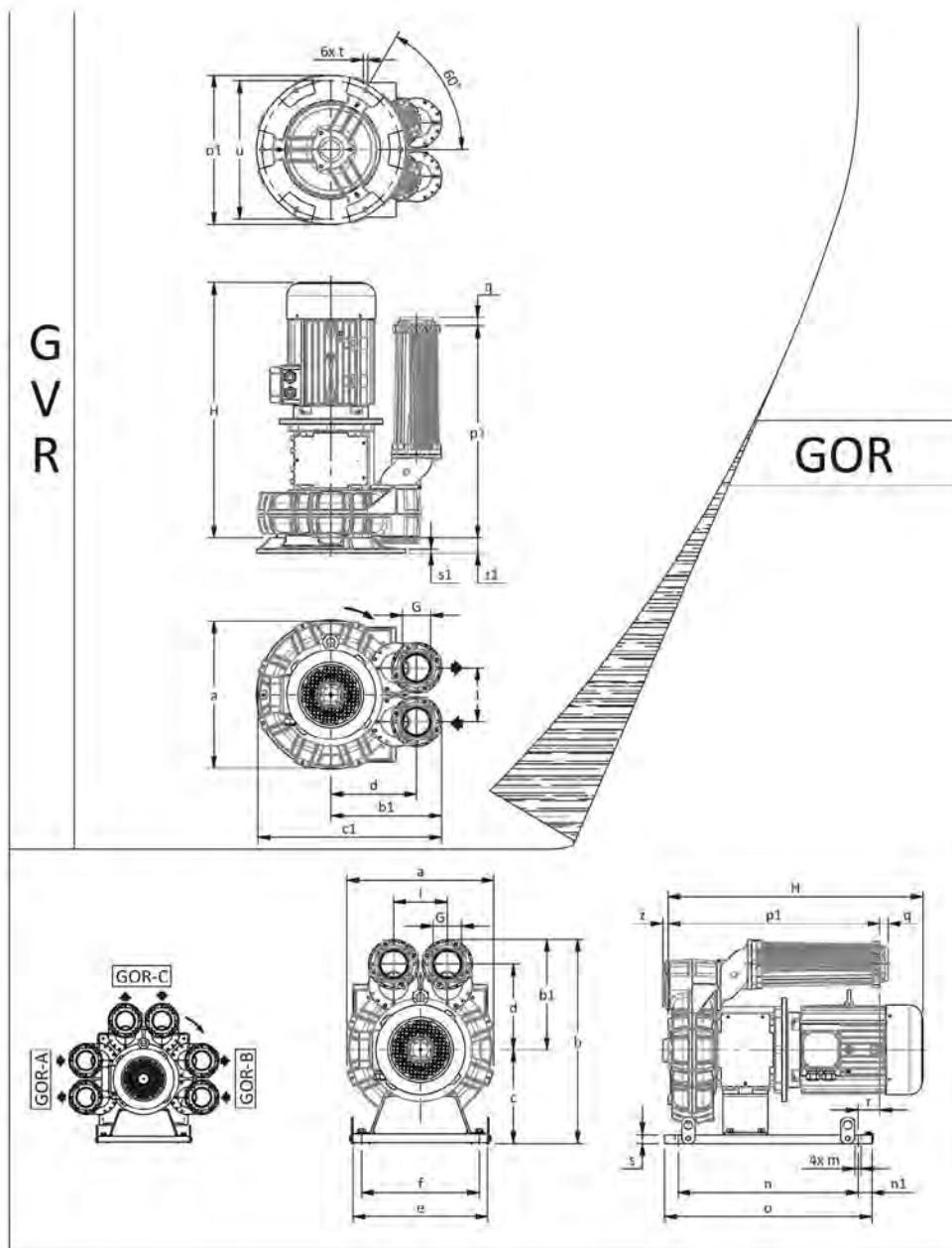
SUCTION

COMPRESSION



Tolerance on indicated values ± 10%.
Data subject to change without notice.
Curves referring to air at a temperature of 20 °C and atmospheric pressure of 1013 mbar (abs).

DIMENSIONS



Configuration with a vertical silencer is only available with the CK accessory kit; for all assembly options refer to FPZ.

Dimensions in mm
NOT Binding

a	b	b1	c	c1	d	d1	e	f	G	l	l1	l2	m				
424	590	320	270	532	247	-	390	340	G 3"	155	-	-	18				
n	n1	o	o1	p1	p2	q	r	r1	s	s1	t	u	v	w	x	z	z1
520	40	600	430	613	-	25	63	-	25	12	13	400	-	-	-	16	45

INSTALLATION

- For proper operation of the machine, it must be provided with a suction FILTER and a vacuum/pressure limiting VALVE.
- Other accessories are available on request.
- Permissible ambient and fluid temperature in suction from -15 °C to +40 °C.
- Read the instruction manual carefully before installing the machine.

SIDE CHANNEL BLOWER • VERSION IE3

K75MS GOR/GVR

Technical characteristics

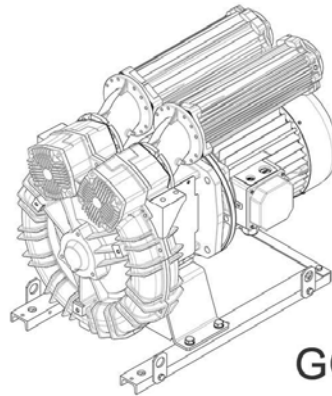
- Aluminium alloy construction
- Smooth operation
- Maintenance free

Electric motor

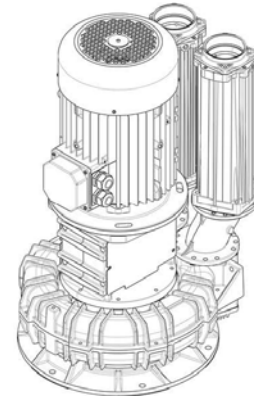
- Motors with IP55 protection rating
- Class F(B) insulation

Options

- Special voltages (IEC 60038)
- Surface treatments
- Increased seal version
- VFD compatible motor
- PTO/PTC thermal protector



GOR



GVR

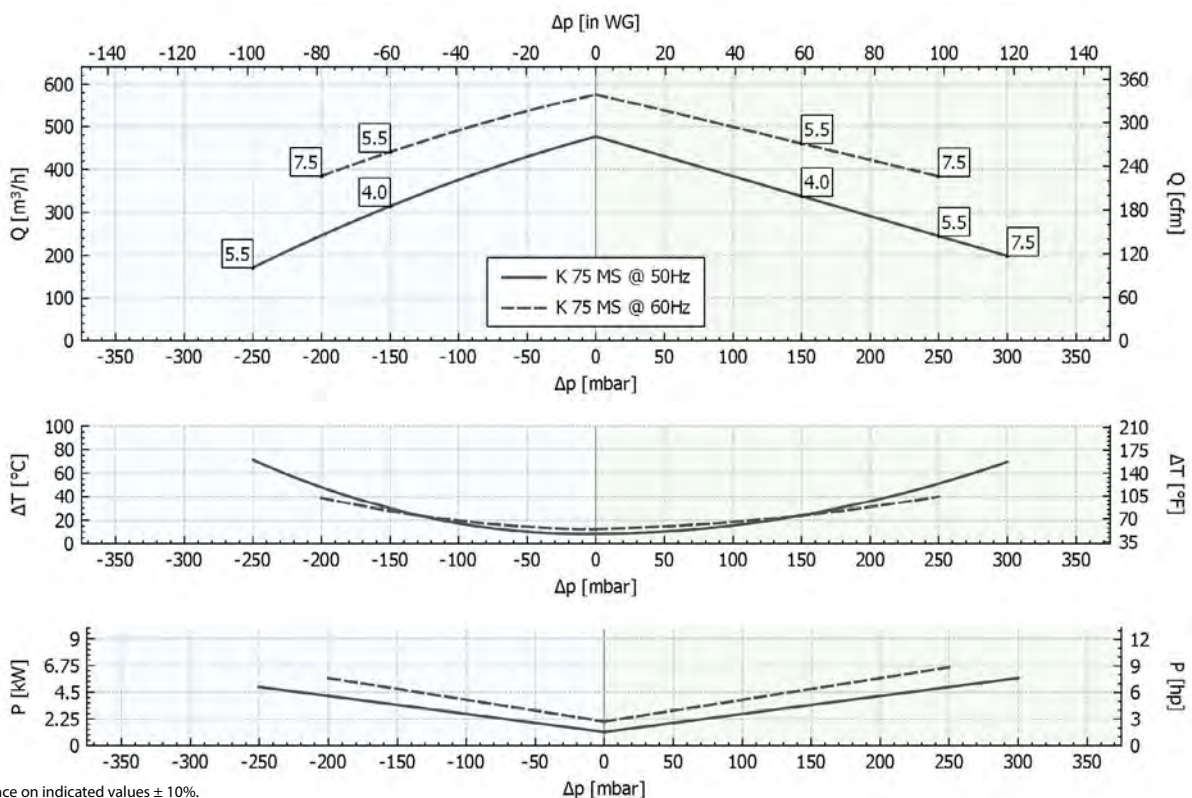
PERFORMANCE TABLE

P _n [kW]	Frequency [Hz]	Δp _{max} [mbar]		Q _{max} [m ³ /h]	Leq ¹ [dB(A)]	Weight [kg] GOR / GVR	H ³ [mm]
		Suction	Compression				
4	50	150	150	477	76.4	79.0 / 70.0	641
5.5	50	250	250	477	76.4	85.5 / 76.5	641
5.5	60	150	150	576	78.4	85.5 / 76.5	641
7.5	50	-	300	477	76.4	103.0 / 93.5	702
7.5	60	200	250	576	78.4	103.0 / 93.5	702

1. Noise level measured at a distance of 1 m with ducted intake and delivery, in accordance with Standard ISO 3744.
2. See figure "dimensions" at following page.

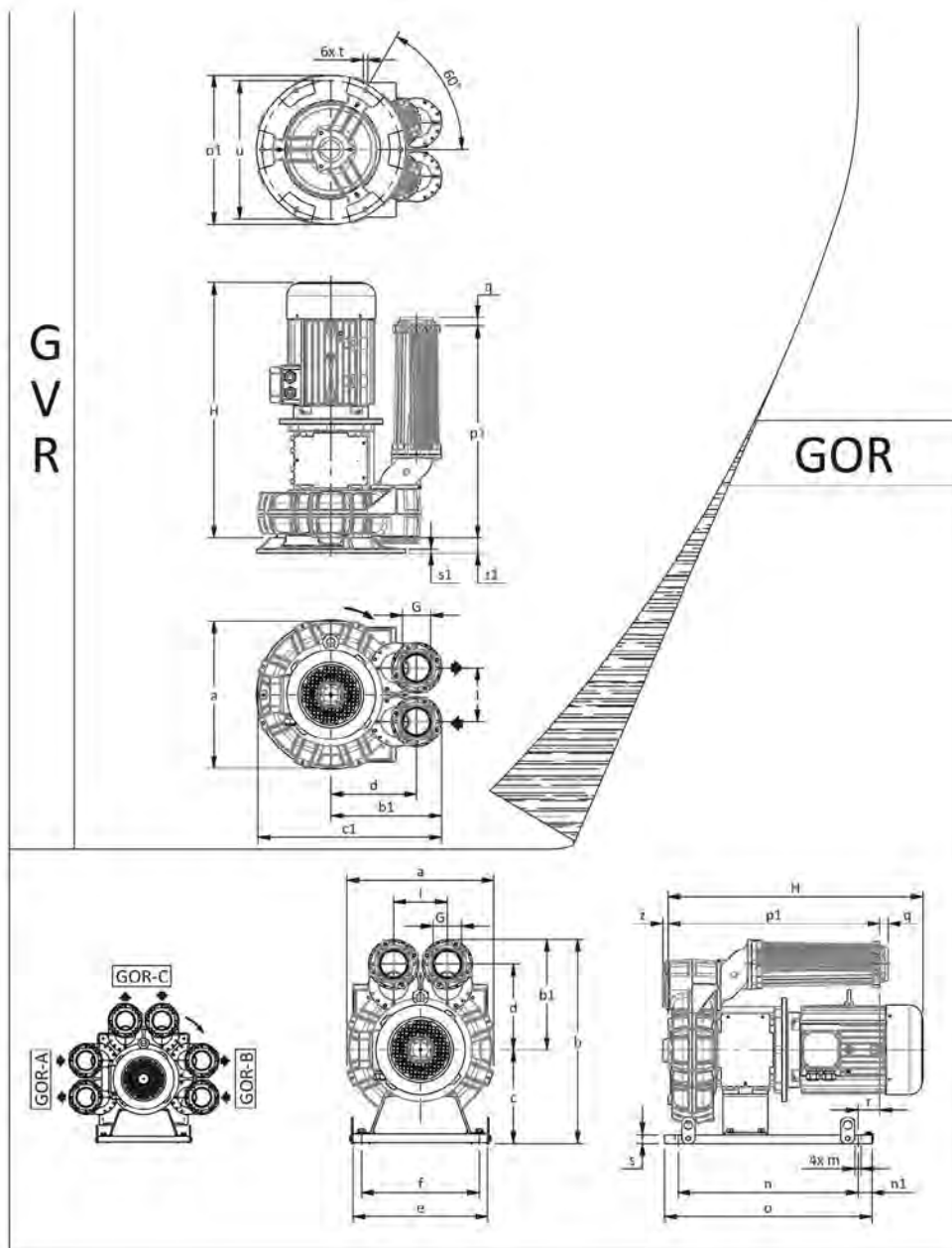
SUCTION

COMPRESSION



Tolerance on indicated values ± 10%.
 Data subject to change without notice.
 Curves referring to air at a temperature of 20 °C and atmospheric pressure of 1013 mbar (abs).

DIMENSIONS



Configuration with a vertical silencer is only available with the CK accessory kit; for all assembly options refer to FPZ.

Dimensions in mm

NOT Binding

a	b	b1	c	c1	d	d1	e	f	G	l	l1	l2	m				
424	590	320	270	532	247	-	390	340	G 3"	155	-	-	18				
n	n1	o	o1	p1	p2	q	r	r1	s	s1	t	u	v	w	x	z	z1
520	40	600	430	613	-	25	63	-	25	12	13	400	-	-	-	16	45

INSTALLATION

- For proper operation of the machine, it must be provided with a suction FILTER and a vacuum/pressure limiting VALVE.
- Other accessories are available on request.
- Permissible ambient and fluid temperature in suction from -15 °C to +40 °C.
- Read the instruction manual carefully before installing the machine.

SIDE CHANNEL BLOWER • VERSION IE3

K08MS GOR/GVR

Technical characteristics

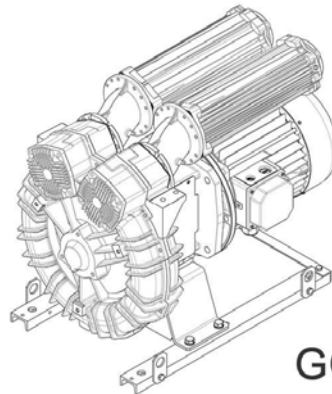
- Aluminium alloy construction
- Smooth operation
- Maintenance free

Electric motor

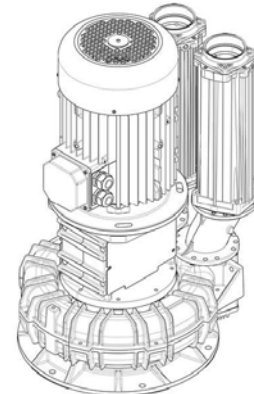
- Motors with IP55 protection rating
- Class F(B) insulation

Options

- Special voltages (IEC 60038)
- Surface treatments
- Increased seal version
- VFD compatible motor
- PTO/PTC thermal protector



GOR



GVR

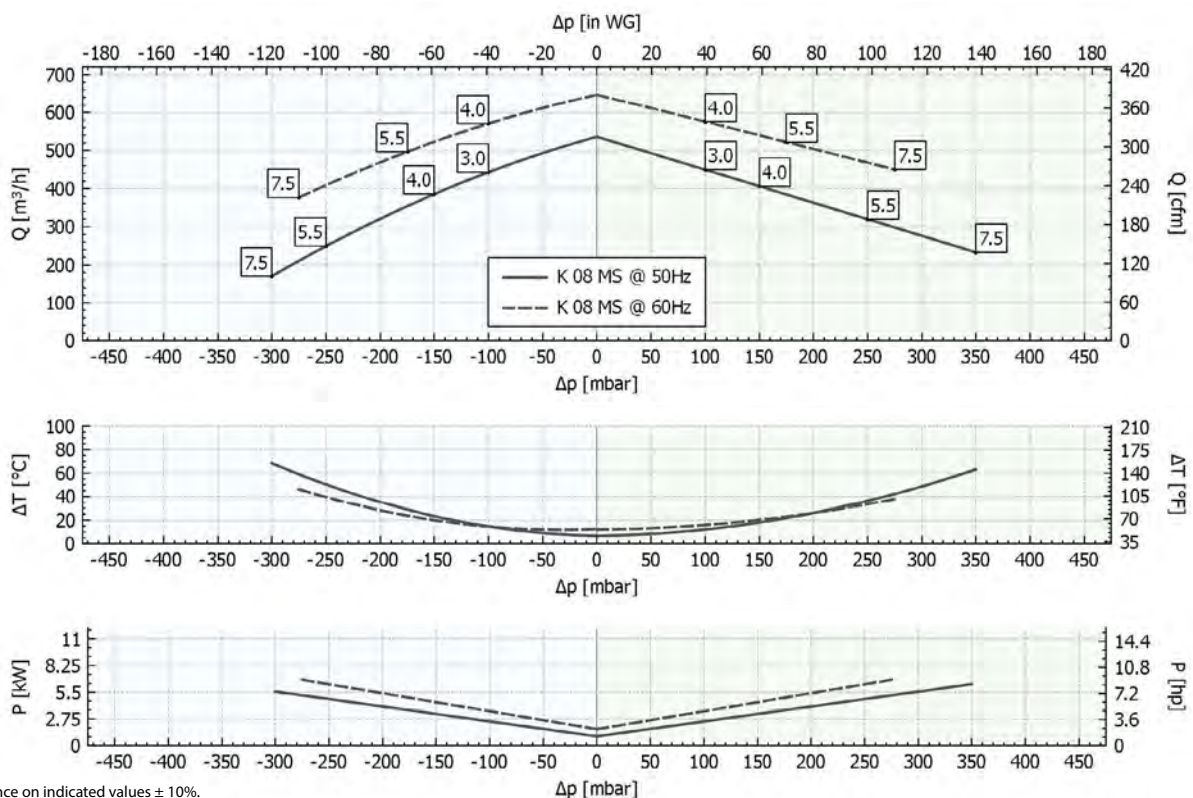
PERFORMANCE TABLE

P _n [kW]	Frequency [Hz]	Δp _{max} [mbar]		Q _{max} [m³/h]	Leq ¹ [dB(A)]	Weight [kg] GOR / GVR	H ³ [mm]
		Suction	Compression				
3	50	100	100	536	76.5	77.5 / 68.5	618
4	50	150	150	536	76.5	83.0 / 74.0	641
4	60	100	100	647	78.5	83.0 / 74.0	641
5.5	50	250	250	536	76.5	89.5 / 80.5	641
5.5	60	175	175	647	78.5	89.5 / 80.5	641
7.5	50	300	350	536	76.5	106.5 / 97.5	702
7.5	60	275	275	647	78.5	106.5 / 97.5	702

1. Noise level measured at a distance of 1 m with ducted intake and delivery, in accordance with Standard ISO 3744.
2. See figure "dimensions" at following page.

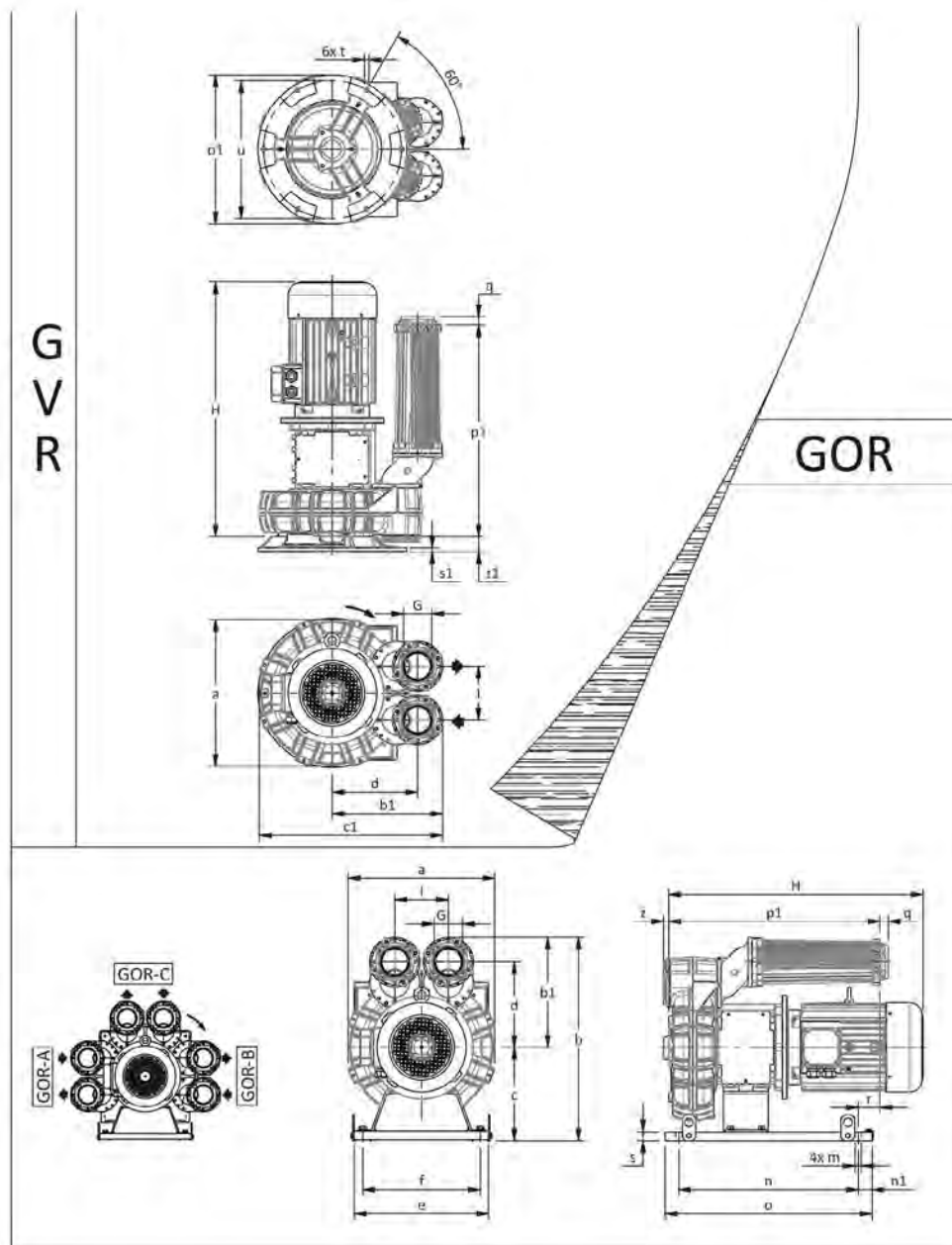
SUCTION

COMPRESSION



Tolerance on indicated values ± 10%.
 Data subject to change without notice.
 Curves referring to air at a temperature of 20 °C and atmospheric pressure of 1013 mbar (abs).

DIMENSIONS



Configuration with a vertical silencer is only available with the CK accessory kit; for all assembly options refer to FPZ.

Dimensions in mm

NOT Binding

a	b	b1	c	c1	d	d1	e	f	G	l	l1	l2	m				
457	590	320	270	549	247	-	390	340	G 3"	155	-	-	18				
n	n1	o	o1	p1	p2	q	r	r1	s	s1	t	u	v	w	x	z	z1
520	40	600	430	613	-	25	63	-	25	12	13	400	-	-	-	16	45

INSTALLATION

- For proper operation of the machine, it must be provided with a suction FILTER and a vacuum/pressure limiting VALVE.
- Other accessories are available on request.
- Permissible ambient and fluid temperature in suction from -15 °C to +40 °C.
- Read the instruction manual carefully before installing the machine.

SIDE CHANNEL BLOWER • VERSION IE3

K09MS GOR/GVR

Technical characteristics

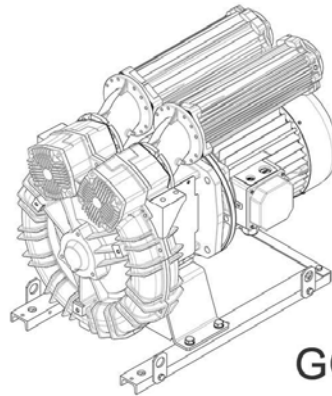
- Aluminium alloy construction
- Smooth operation
- Maintenance free

Electric motor

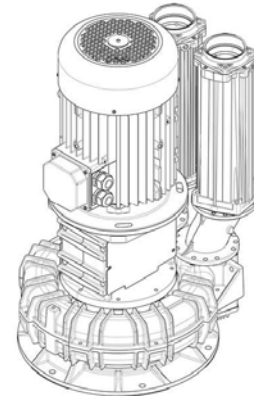
- Motors with IP55 protection rating
- Class F(B) insulation

Options

- Special voltages (IEC 60038)
- Surface treatments
- Increased seal version
- VFD compatible motor
- PTO/PTC thermal protector



GOR



GVR

PERFORMANCE TABLE

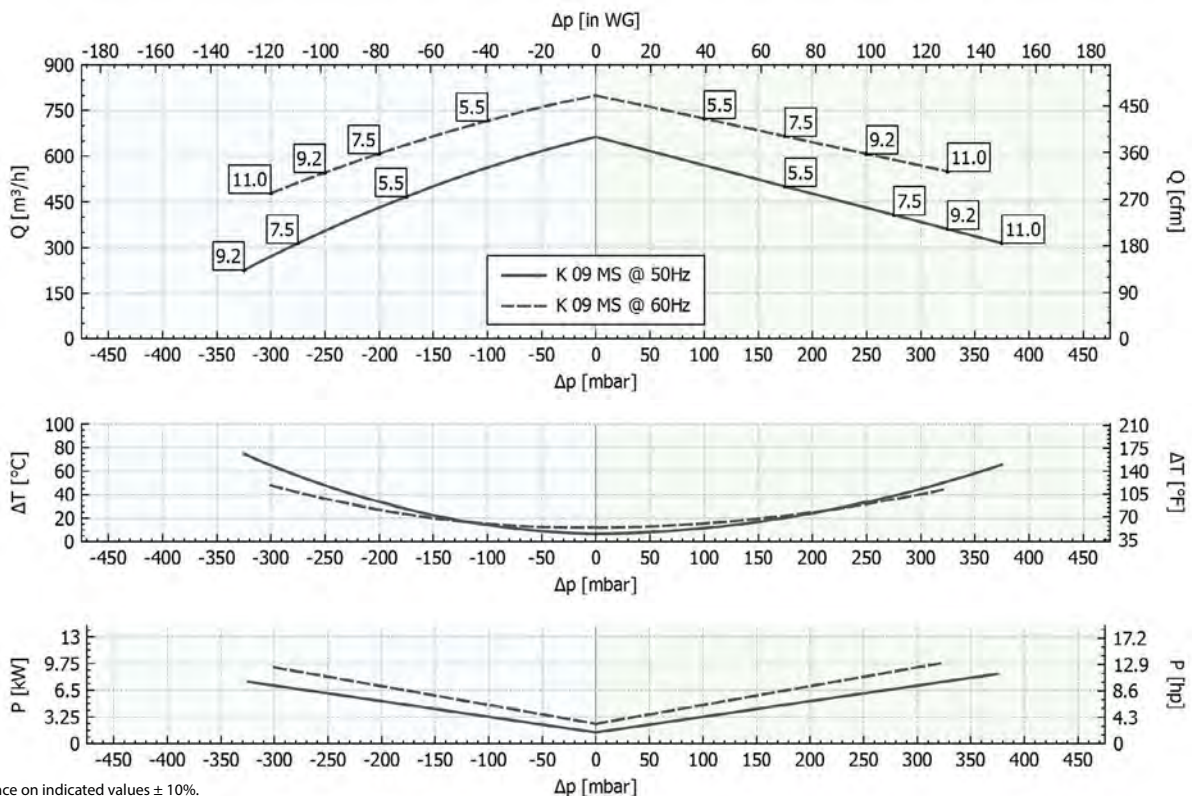
P _n [kW]	Frequency [Hz]	Δp _{max} [mbar]		Q _{max} [m ³ /h]	Leq ¹ [dB(A)]	Weight [kg] GOR / GVR	H ³ [mm]
		Suction	Compression				
5.5	50	175	175	663	77.1	103.5 / 91.0	653
5.5	60	100	100	800	79.1	103.5 / 91.0	653
7.5	50	275	275	663	77.1	121.0 / 108.0	714
7.5	60	200	175	800	79.1	121.0 / 108.0	714
9.2	50	325	325	663	77.1	127.0 / 114.0	752
9.2	60	250	250	800	79.1	127.0 / 114.0	752
11	50	-	375	663	77.1	131.0 / 118.0	752
11	60	300	325	800	79.1	131.0 / 118.0	752

1. Noise level measured at a distance of 1 m with ducted intake and delivery, in accordance with Standard ISO 3744.

2. See figure "dimensions" at following page.

SUCTION

COMPRESSION

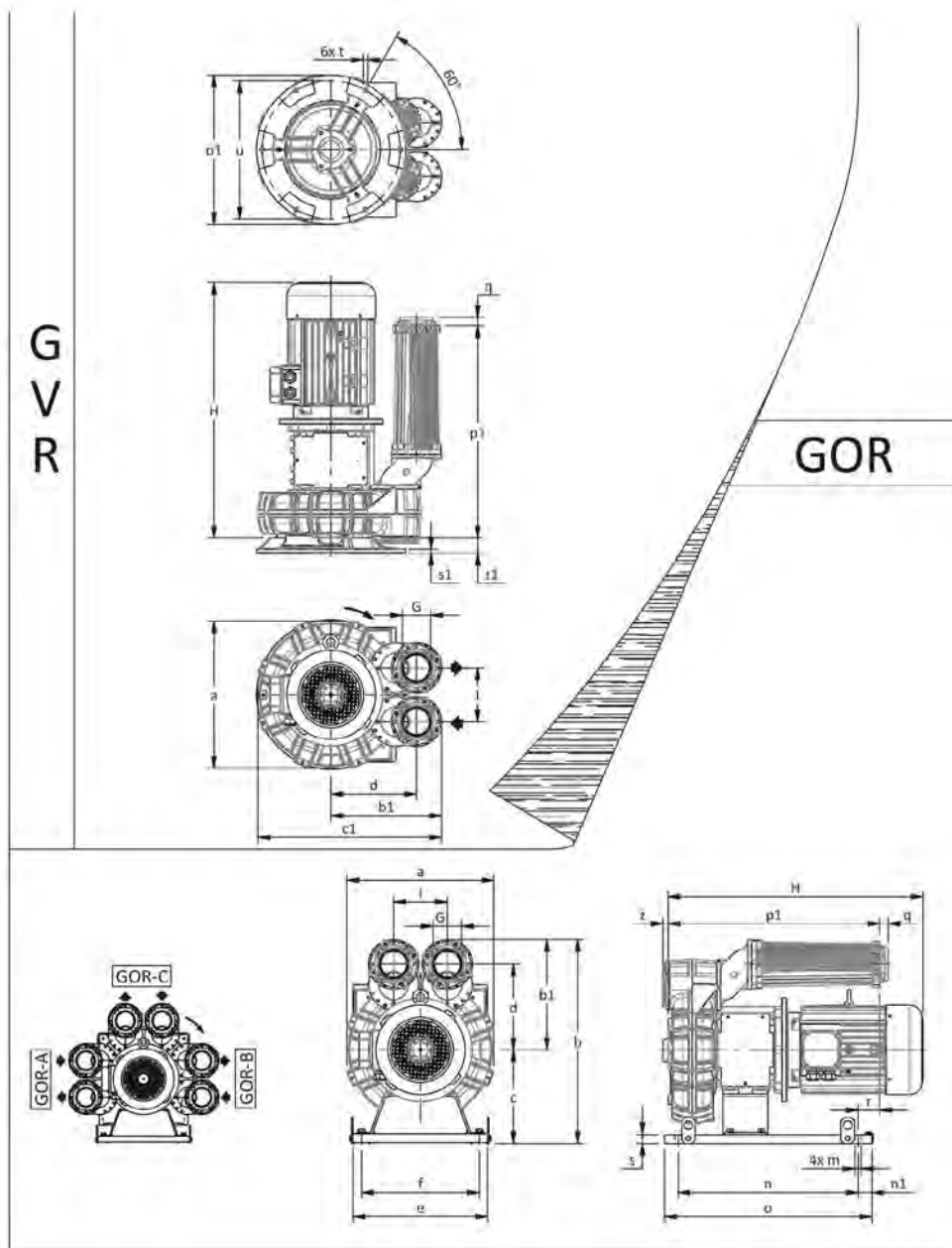


Tolerance on indicated values ± 10%.

Data subject to change without notice.

Curves referring to air at a temperature of 20 °C and atmospheric pressure of 1013 mbar (abs).

DIMENSIONS



Configuration with a vertical silencer is only available with the CK accessory kit; for all assembly options refer to FPZ.

Dimensions in mm

NOT Binding

a	b	b1	c	c1	d	d1	e	f	G	l	l1	l2	m				
492	675	360	315	606	275	-	460	400	G 4"	182	-	-	18				
n	n1	o	o1	p1	p2	q	r	r1	s	s1	t	u	v	w	x	z	z1
600	40	680	500	702	-	25	75	-	30	12	13	460	-	-	-	16	45

INSTALLATION

- For proper operation of the machine, it must be provided with a suction FILTER and a vacuum/pressure limiting VALVE.
- Other accessories are available on request.
- Permissible ambient and fluid temperature in suction from -15 °C to +40 °C.
- Read the instruction manual carefully before installing the machine.

SIDE CHANNEL BLOWER • VERSION IE3

K10MS GOR/GVR

Technical characteristics

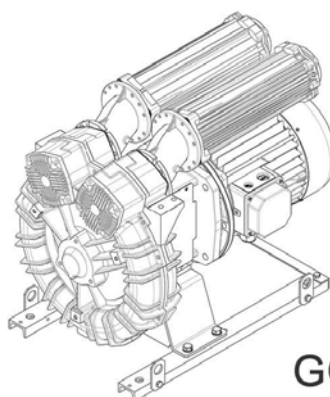
- Aluminium alloy construction
- Smooth operation
- Maintenance free

Electric motor

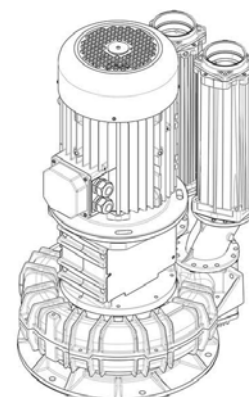
- Motors with IP55 protection rating
- Class F(B) insulation

Options

- Special voltages (IEC 60038)
- Surface treatments
- Increased seal version
- VFD compatible motor
- PTO/PTC thermal protector



GOR



GVR

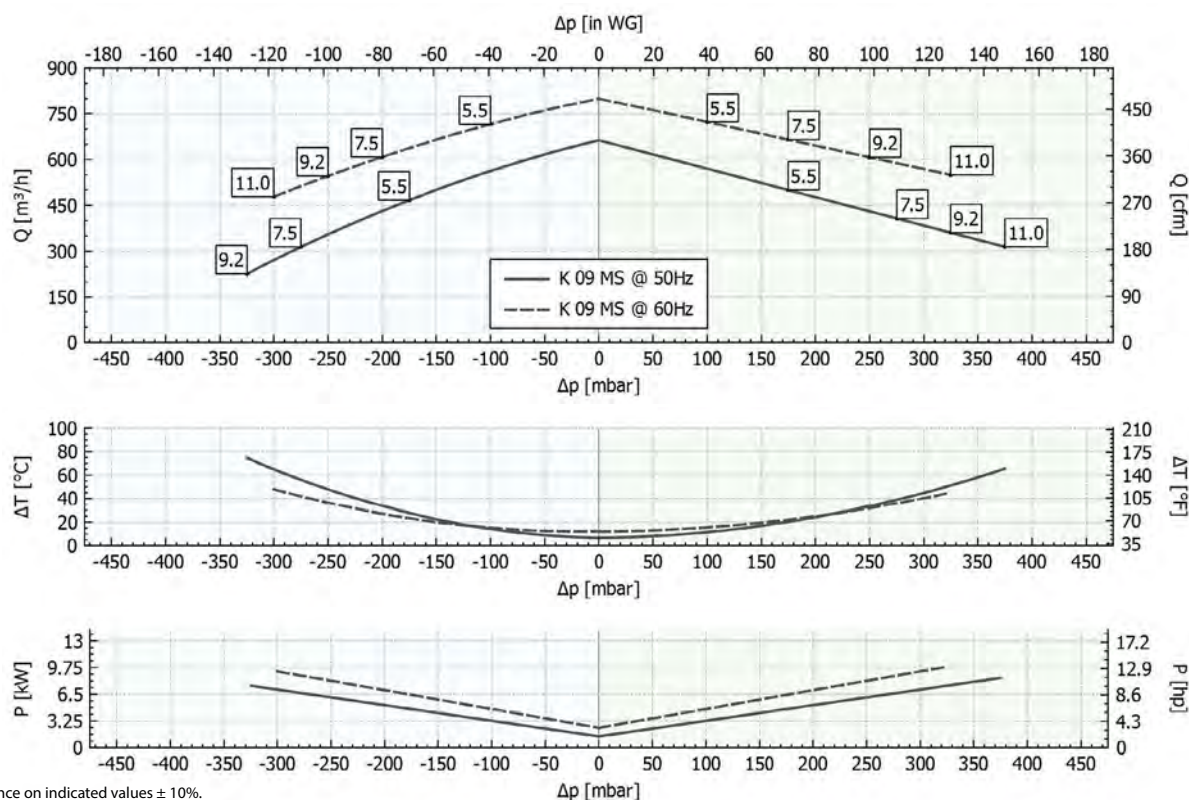
PERFORMANCE TABLE

P _n [kW]	Frequency [Hz]	Δp _{max} [mbar]		Q _{max} [m³/h]	Leq ¹ [dB(A)]	Weight [kg] GOR / GVR	H ³ [mm]
		Suction	Compression				
5.5	50	150	125	782	77.4	105.0 / 92.5	653
7.5	50	225	200	782	77.4	122.0 / 109.5	714
7.5	60	125	125	944	79.4	122.0 / 109.5	714
9.2	50	275	275	782	77.4	128.0 / 115.5	752
9.2	60	175	175	944	79.4	128.0 / 115.5	752
11	50	300	350	782	77.4	132.0 / 119.5	752
11	60	250	250	944	79.4	132.0 / 119.5	752
15	50	-	400	782	77.4	172.5 / 158.5	856
15	60	325	375	944	79.4	172.5 / 158.5	856

1. Noise level measured at a distance of 1 m with ducted intake and delivery, in accordance with Standard ISO 3744.
 2. See figure "dimensions" at following page.

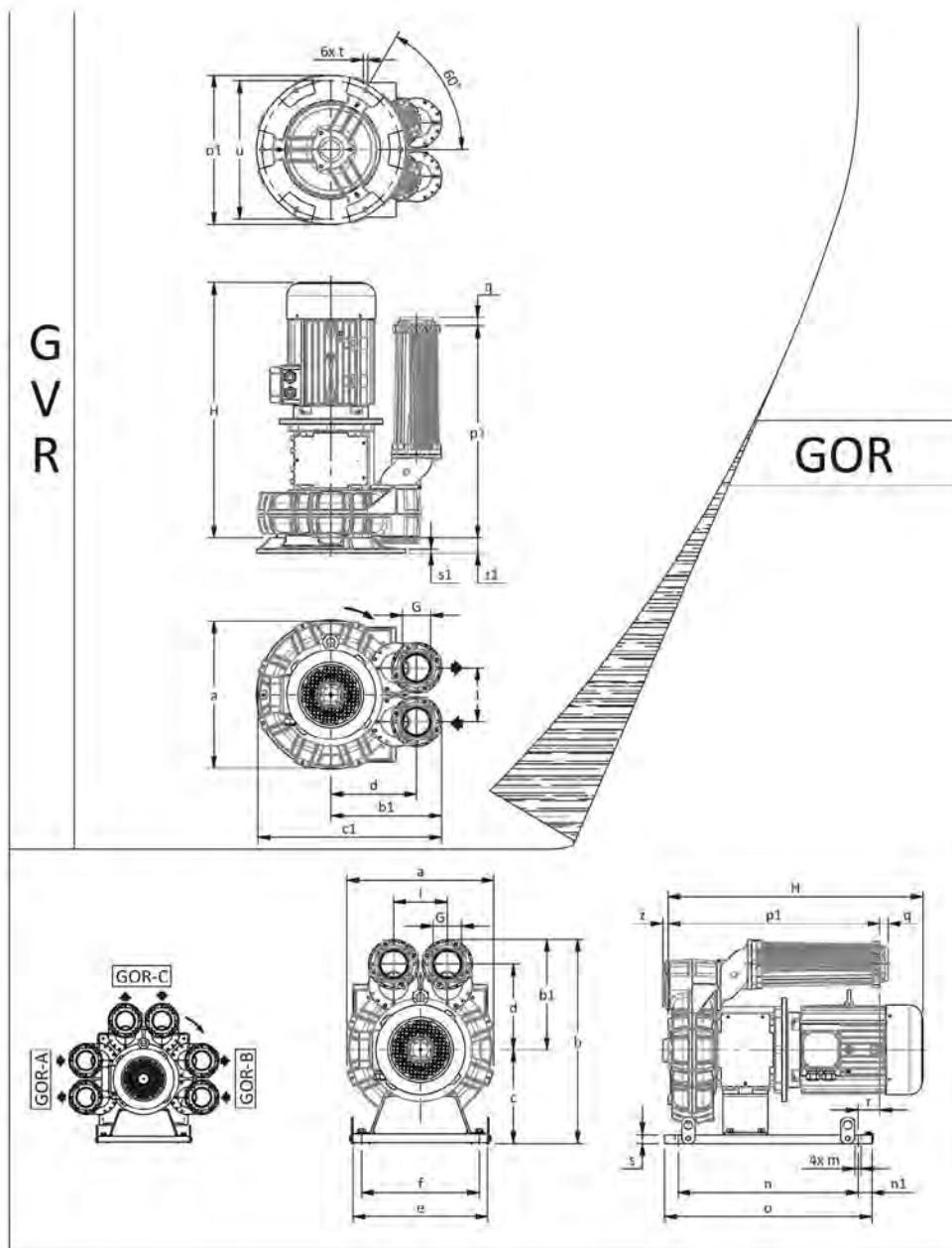
SUCTION

COMPRESSION



Tolerance on indicated values ± 10%.
 Data subject to change without notice.
 Curves referring to air at a temperature of 20 °C and atmospheric pressure of 1013 mbar (abs).

DIMENSIONS



Configuration with a vertical silencer is only available with the CK accessory kit; for all assembly options refer to FPZ.

Dimensions in mm

NOT Binding

a	b	b1	c	c1	d	d1	e	f	G	l	l1	l2	m				
516	675	360	315	618	275	-	460	400	G 4"	182	-	-	18				
n	n1	o	o1	p1	p2	q	r	r1	s	s1	t	u	v	w	x	z	z1
600	40	680	500	702	-	25	75	-	30	12	13	460	-	-	-	16	45

INSTALLATION

- For proper operation of the machine, it must be provided with a suction FILTER and a vacuum/pressure limiting VALVE.
- Other accessories are available on request.
- Permissible ambient and fluid temperature in suction from -15 °C to +40 °C.
- Read the instruction manual carefully before installing the machine.

SIDE CHANNEL BLOWER • VERSION IE3

K11MS GOR/GVR

Technical characteristics

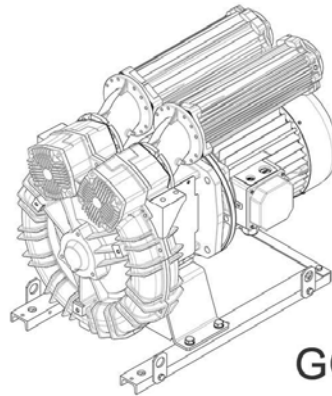
- Aluminium alloy construction
- Smooth operation
- Maintenance free

Electric motor

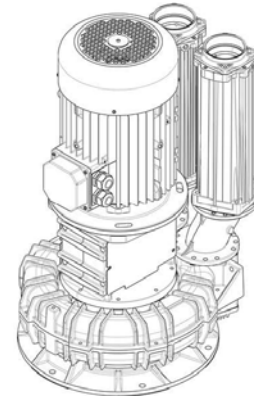
- Motors with IP55 protection rating
- Class F(B) insulation

Options

- Special voltages (IEC 60038)
- Surface treatments
- Increased seal version
- VFD compatible motor
- PTO/PTC thermal protector



GOR



GVR

PERFORMANCE TABLE

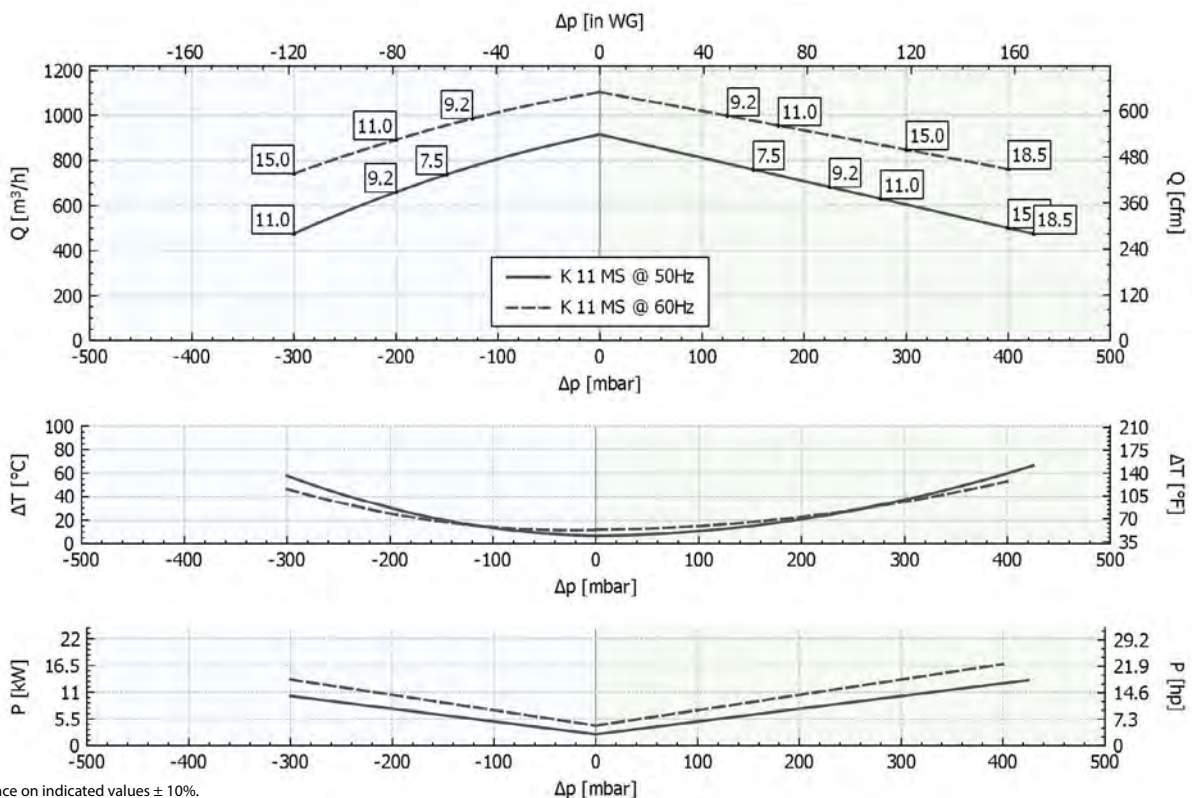
P _n [kW]	Frequency [Hz]	Δp _{max} [mbar]		Q _{max} [m³/h]	Leq ¹ [dB(A)]	Weight [kg] GOR / GVR	H ³ [mm]
		Suction	Compression				
7.5	50	150	150	915	80	127.5 / 114.5	719
9.2	50	200	225	915	80	133.5 / 120.5	757
9.2	60	125	125	1105	82	133.5 / 120.5	757
11	50	300	275	915	80	137.5 / 124.5	757
11	60	200	175	1105	82	137.5 / 124.5	757
15	50	-	400	915	80	177.5 / 163.5	862
15	60	300	300	1105	82	177.5 / 163.5	862
18.5	50	-	425	915	80	182.5 / 168.6	905
18.5	60	-	400	1105	82	182.5 / 168.6	905

1. Noise level measured at a distance of 1 m with ducted intake and delivery, in accordance with Standard ISO 3744.

2. See figure "dimensions" at following page.

SUCTION

COMPRESSION

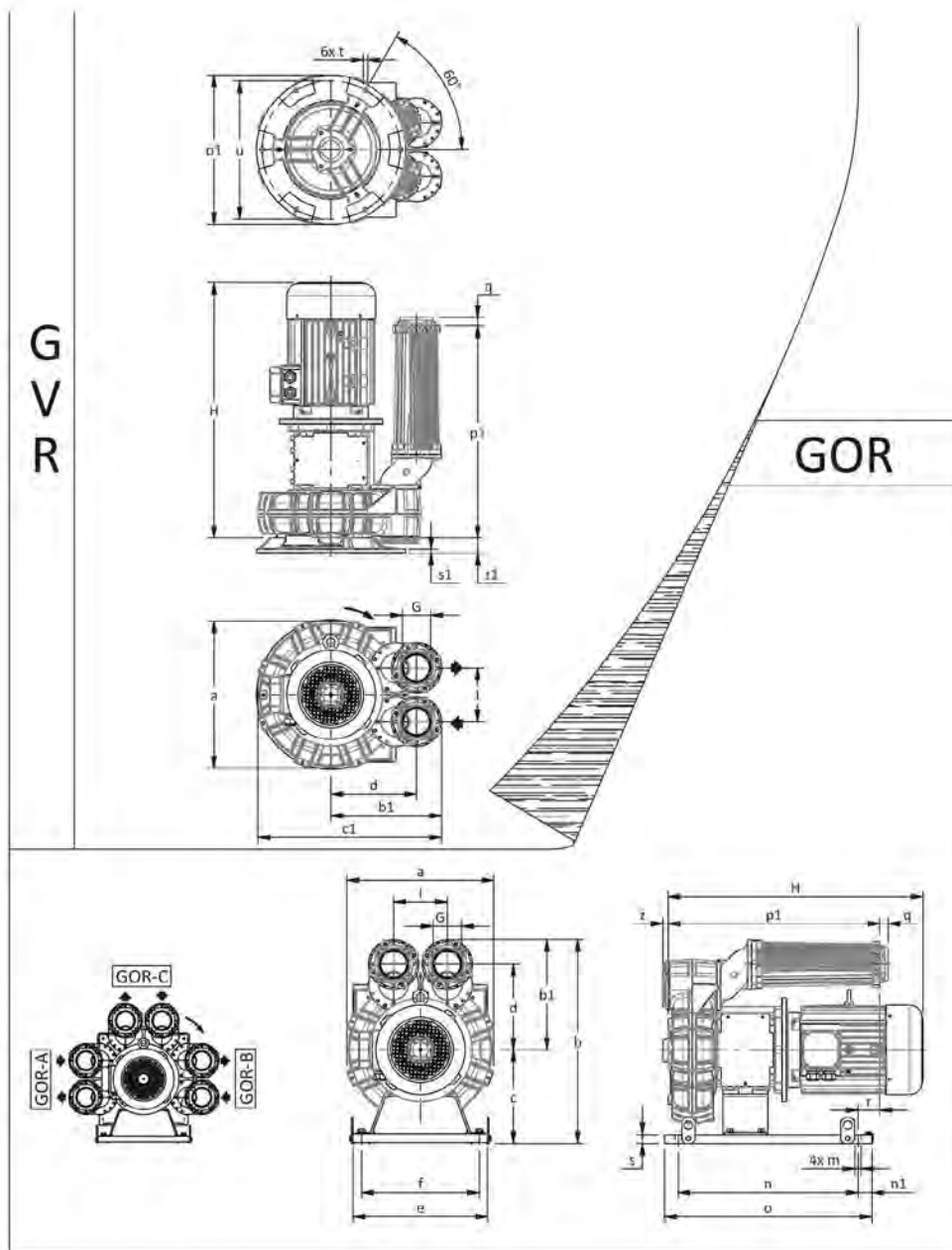


Tolerance on indicated values ± 10%.

Data subject to change without notice.

Curves referring to air at a temperature of 20 °C and atmospheric pressure of 1013 mbar (abs).

DIMENSIONS



Configuration with a vertical silencer is only available with the CK accessory kit; for all assembly options refer to FPZ.

Dimensions in mm

NOT Binding

a	b	b1	c	c1	d	d1	e	f	G	l	l1	l2	m				
542	695	380	315	651	297	-	460	400	G 4"	200	-	-	18				
n	n1	o	o1	p1	p2	q	r	r1	s	s1	t	u	v	w	x	z	z1
600	40	680	500	712	-	25	80	-	30	12	13	460	-	-	-	16	45

INSTALLATION

- For proper operation of the machine, it must be provided with a suction FILTER and a vacuum/pressure limiting VALVE.
- Other accessories are available on request.
- Permissible ambient and fluid temperature in suction from -15 °C to +40 °C.
- Read the instruction manual carefully before installing the machine.

SIDE CHANNEL BLOWER • VERSION IE3

K12MS GOR/GVR

Technical characteristics

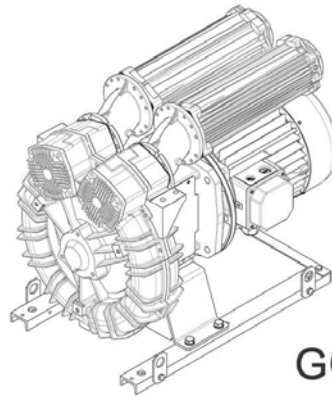
- Aluminium alloy construction
- Smooth operation
- Maintenance free

Electric motor

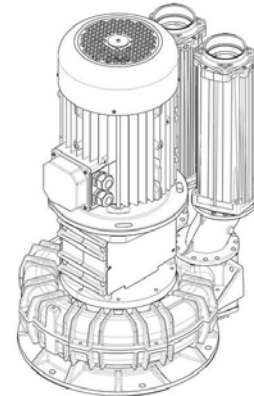
- Motors with IP55 protection rating
- Class F(B) insulation

Options

- Special voltages (IEC 60038)
- Surface treatments
- Increased seal version
- VFD compatible motor
- PTO/PTC thermal protector



GOR



GVR

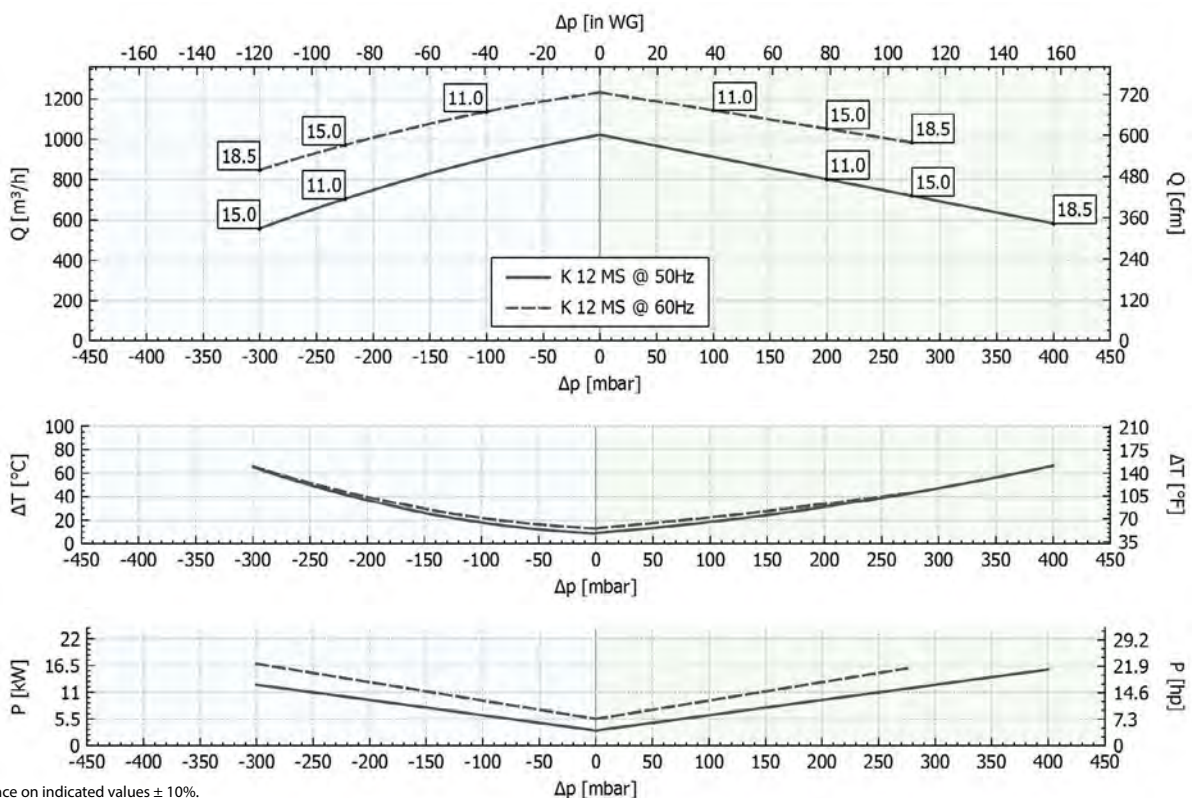
PERFORMANCE TABLE

P _n [kW]	Frequency [Hz]	Δp _{max} [mbar]		Q _{max} [m ³ /h]	Leq ¹ [dB(A)]	Weight [kg] GOR / GVR	H ³ [mm]
		Suction	Compression				
11	50	225	200	1022	81	138.5 / 126.0	760
11	60	100	100	1234	83	138.5 / 126.0	760
15	50	300	275	1022	81	179.0 / 165.0	865
15	60	225	200	1234	83	179.0 / 165.0	865
18.5	50	-	400	1022	81	184.0 / 170.0	909
18.5	60	300	275	1234	83	184.0 / 170.0	909

1. Noise level measured at a distance of 1 m with ducted intake and delivery, in accordance with Standard ISO 3744.
2. See figure "dimensions" at following page.

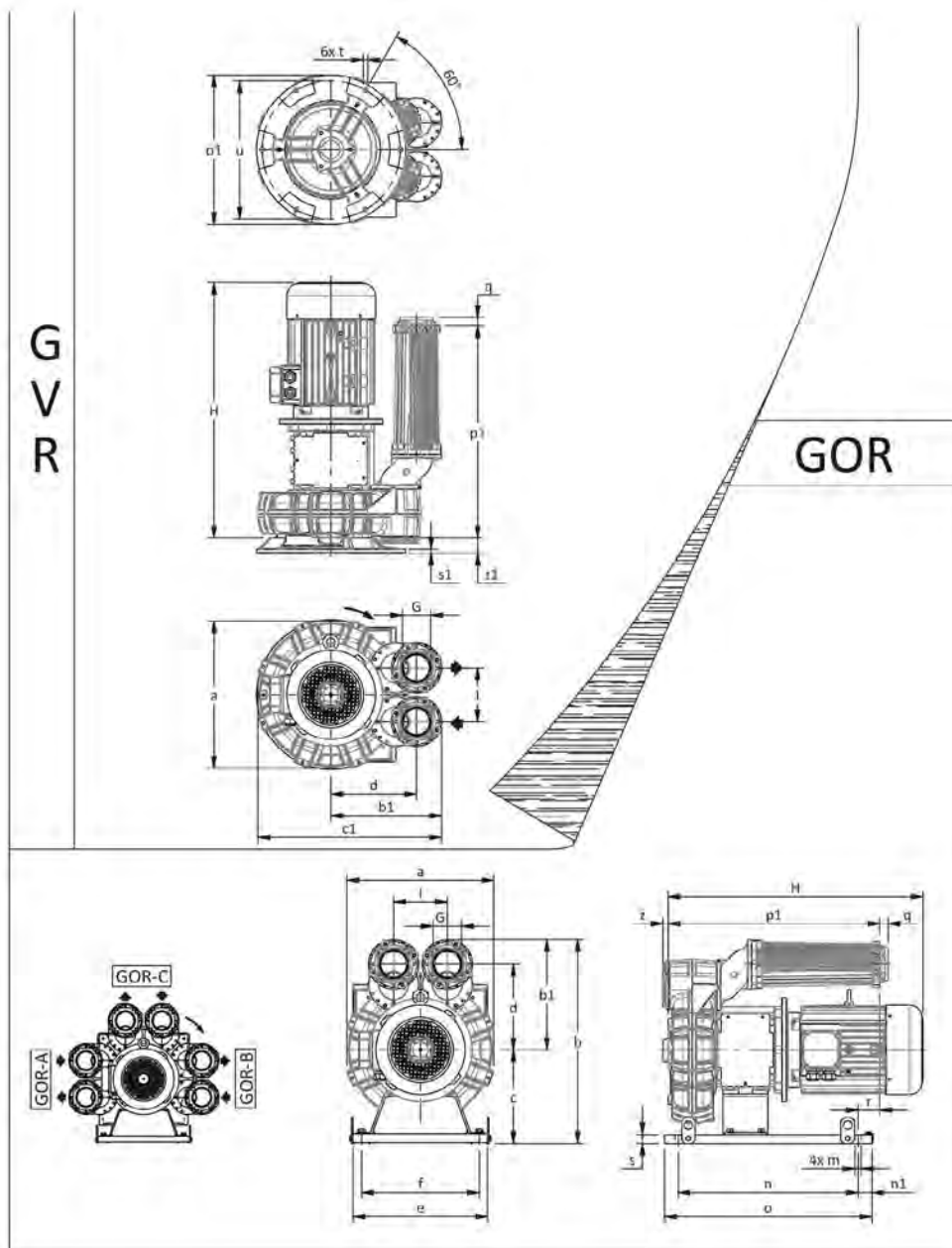
SUCTION

COMPRESSION



Tolerance on indicated values ± 10%.
 Data subject to change without notice.
 Curves referring to air at a temperature of 20 °C and atmospheric pressure of 1013 mbar (abs).

DIMENSIONS



Configuration with a vertical silencer is only available with the CK accessory kit; for all assembly options refer to FPZ.

Dimensions in mm

NOT Binding

a	b	b1	c	c1	d	d1	e	f	G	l	l1	l2	m				
548	695	380	315	654	297	-	460	400	G 4"	200	-	-	18				
n	n1	o	o1	p1	p2	q	r	r1	s	s1	t	u	v	w	x	z	z1
600	40	680	500	712	-	25	80	-	30	12	13	460	-	-	-	13	45

INSTALLATION

- For proper operation of the machine, it must be provided with a suction FILTER and a vacuum/pressure limiting VALVE.
- Other accessories are available on request.
- Permissible ambient and fluid temperature in suction from -15 °C to +40 °C.
- Read the instruction manual carefully before installing the machine.

SIDE CHANNEL BLOWER • VERSION IE3
R20MD GOR
Technical characteristics

- Aluminium alloy construction
- Painted

Electric motor

- Motors with IP55 protection rating (not applied to single-phase)
- Class F insulation

Options

- Special voltages (IEC 60038)
- Sealed version
- PTO/PTC thermal protector
- VFD compatible motor
- Unpainted


PERFORMANCE TABLE

P _n [kW]	Frequency [Hz]	Δ p _{max} [mbar]		Q _{max} [m ³ /h]	Leq ¹ [dB(A)]
		Suction	Compression		
0.75	50	300	325	60	66.0
0.9	60	300	275	70	68.0
1.1	50	(300)	400	60	66.5
1.3	60	350	450	70	68.5

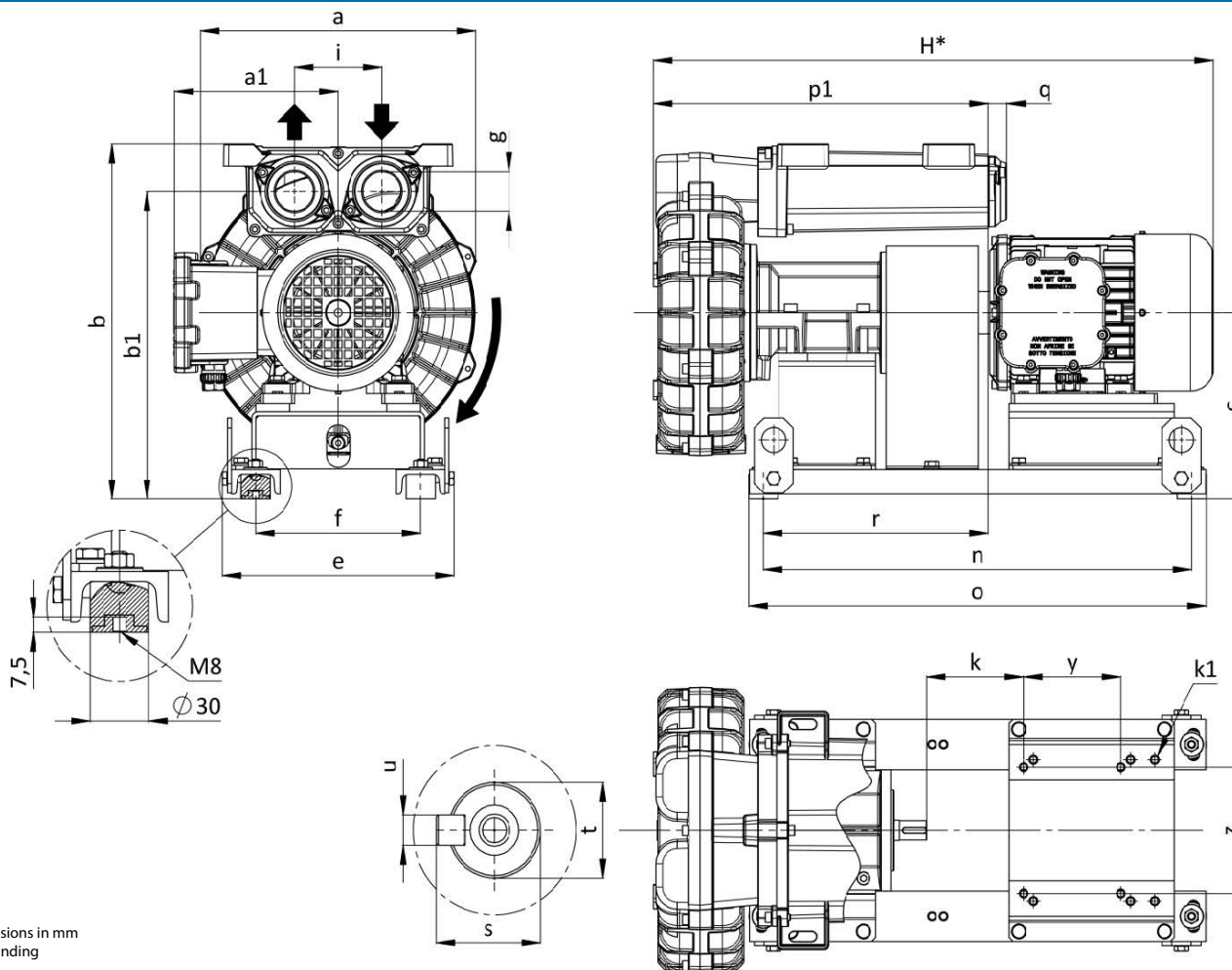
1. Noise level measured at a distance of 1 m with ducted intake and delivery, in accordance with Standard ISO 3744.

BLOWER CONFIGURATIONS

~3	[V] (Δ / Y)	[Hz]
IE2	230 / 400	50
	265 / 460 (not IE2)	60
Wide range	200 - 240 / 345 - 415	50
	220 - 280 / 380 - 480	60
SINGLE-PHASE	230	50

Supply voltage - IE2 only at 50 Hz

DIMENSIONS



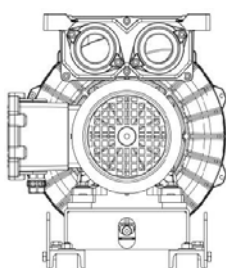
Dimensions in mm
NOT Binding

M.E.	a	a1	b	b1	c	e	f	g	H*	i	k
GR. 80 B3	283	169	352	305	185	239	170	G 1" 1/4	577	90	100
k1	n	o	p1	q	r	s	t	u	y	z	max weight (kg)**
M8	445	475	345	18	234	21.5	19	6	100	125	23

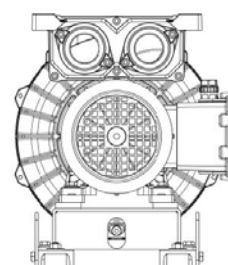
INSTALLATION

- For proper operation of the machine, it must be provided with a suction FILTER and a vacuum/pressure limiting VALVE.
- Other accessories are available on request.
- Permissible ambient and fluid temperature in suction from -15 °C to +40 °C.
- Read the instruction manual carefully before installing the machine.

POSITION OF TERMINAL BOX



Standard version



Available on request

* The value indicated refers to the machine with motor of maximum length.

** The value indicated refers to the weight of the machine without electric motor.

SIDE CHANNEL BLOWER • VERSION IE3
R30MD GOR
Technical characteristics

- Aluminium alloy construction
- Painted

Electric motor

- Motors with IP55 protection rating (not applied to single-phase)
- Class F insulation

Options

- Special voltages (IEC 60038)
- Sealed version
- PTO/PTC thermal protector
- VFD compatible motor
- Unpainted


PERFORMANCE TABLE

P _n [kW]	Frequency [Hz]	Δ p _{max} [mbar]		Q _{max} [m ³ /h]	Leq ¹ [dB(A)]
		Suction	Compression		
1.1	50	300	325	91	69.2
1.3	60	325	300	110	72.2
1.5	50	350	425	91	69.7
1.7	60	375	425	110	72.8

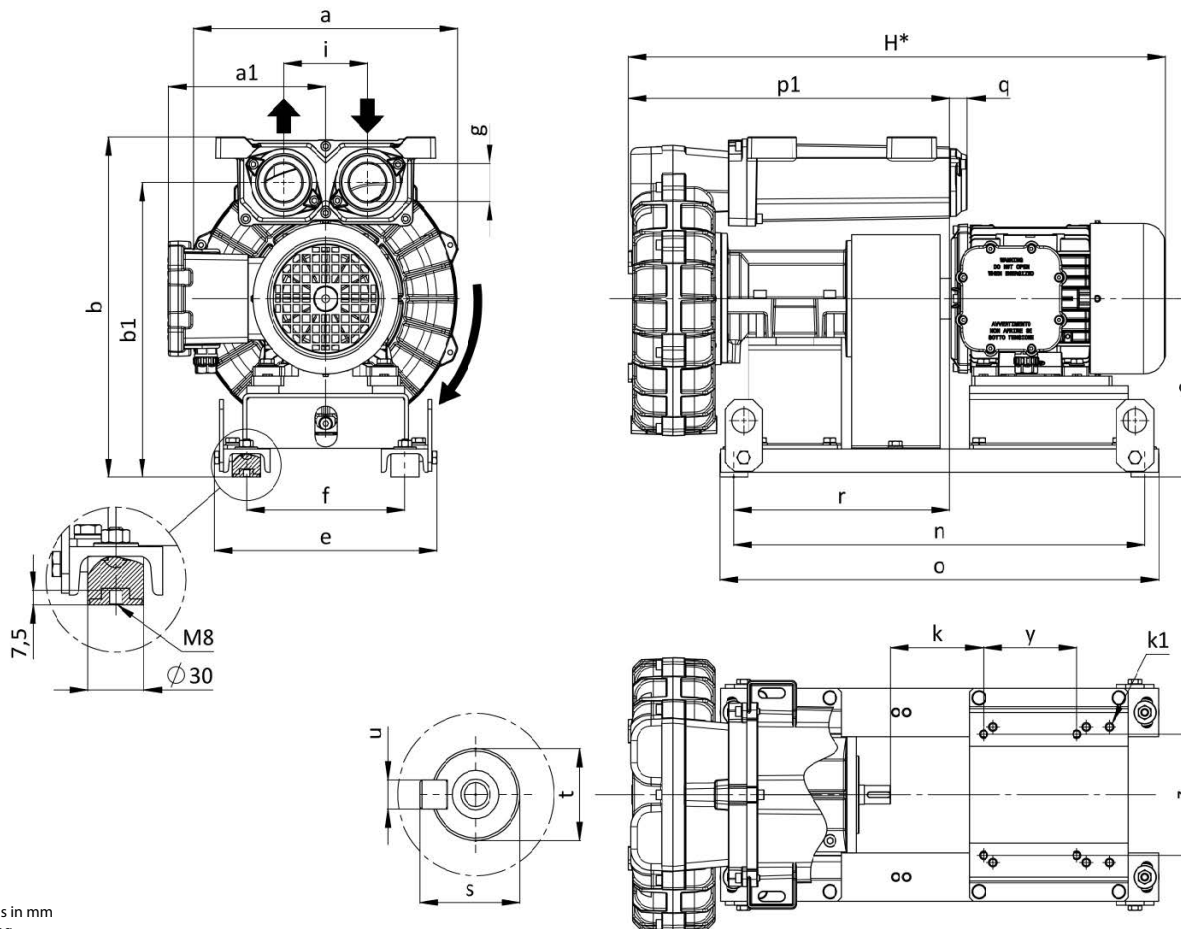
1. Noise level measured at a distance of 1 m with ducted intake and delivery, in accordance with Standard ISO 3744.

BLOWER CONFIGURATIONS

~3	[V] (Δ / Y)	[Hz]
IE2	230 / 400	50
	265 / 460 (not IE2)	60
Wide range	200 - 240 / 345 - 415	50
	220 - 280 / 380 - 480	60
SINGLE-PHASE	230	50

Supply voltage - IE2 only at 50 Hz

DIMENSIONS



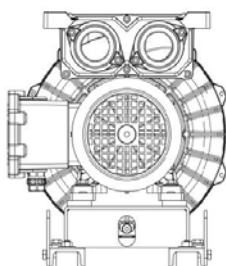
Dimensions in mm
NOT Binding

M.E.	a	a1	b	b1	c	e	f	g	H*	l	k
GR. 80 B3	319	169	372	325	185	239	170	G 1" 1/4	583	90	100
GR. 90S B3		174							606		110
k1	n	o	p1	q	r	s	t	u	y	z	max weight (kg)**
M8	445	475	354	18	237	21.5	19	6	100	125	26
										140	

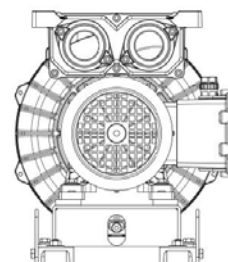
INSTALLATION

- For proper operation of the machine, it must be provided with a suction FILTER and a vacuum/pressure limiting VALVE.
- Other accessories are available on request.
- Permissible ambient and fluid temperature in suction from -15 °C to +40 °C.
- Read the instruction manual carefully before installing the machine.

POSITION OF TERMINAL BOX



Standard version



Available on request

* The value indicated refers to the machine with motor of maximum length.
** The value indicated refers to the weight of the machine without electric motor.

SIDE CHANNEL BLOWER • VERSION IE3
R40MD GOR
Technical characteristics

- Aluminium alloy construction
- Painted

Electric motor

- Motors with IP55 protection rating (not applied to single-phase)
- Class F insulation

Options

- Special voltages (IEC 60038)
- Sealed version
- PTO/PTC thermal protector
- VFD compatible motor
- Unpainted


PERFORMANCE TABLE

P _n [kW]	Frequency [Hz]	Δ p _{max} [mbar]		Q _{max} [m ³ /h]	Leq ¹ [dB(A)]
		Suction	Compression		
2.2	50	350	425	117	70.8
2.6	60	375	400	137	72.8
3.0	50	(350)	500	117	71.3
3.5	60	(375)	500	137	73.3

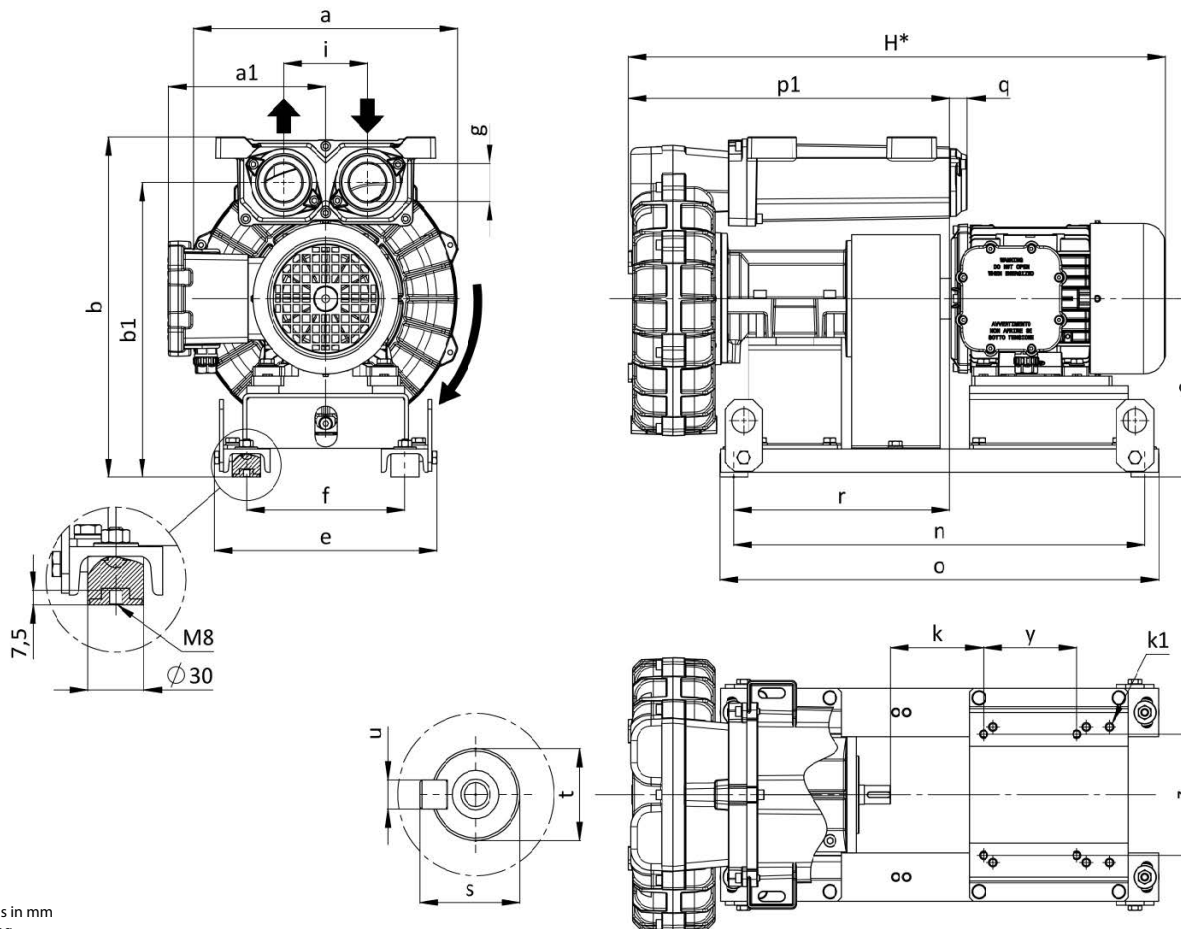
1. Noise level measured at a distance of 1 m with ducted intake and delivery, in accordance with Standard ISO 3744.

BLOWER CONFIGURATIONS

~3	[V] (Δ / Y)	[Hz]
IE2	230 / 400	50
	265 / 460 (not IE2)	60
Wide range	200 - 240 / 345 - 415	50
	220 - 280 / 380 - 480	60
SINGLE-PHASE	230	50

Supply voltage - IE2 only at 50 Hz

DIMENSIONS



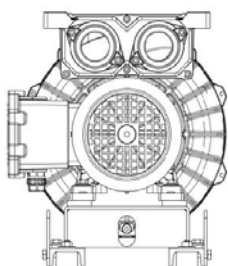
Dimensions in mm
NOT Binding

M.E.	a	a1	b	b1	c	e	f	g	H*	l	k	
GR. 90L B3	350	174	402	355	205	259	190	G 1" 1/4	711	90	111	
GR. 100 B3		185							742		128	
	k1	n	o	p1	q	r	s	t	u	y	z	max weight (kg)**
	M8	560	590	364	18	233	31	28	8	125	140	34
										M10	140	

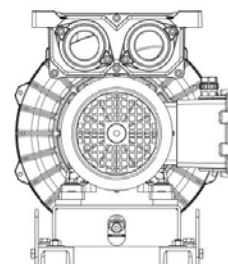
INSTALLATION

- For proper operation of the machine, it must be provided with a suction FILTER and a vacuum/pressure limiting VALVE.
- Other accessories are available on request.
- Permissible ambient and fluid temperature in suction from -15 °C to +40 °C.
- Read the instruction manual carefully before installing the machine.

POSITION OF TERMINAL BOX

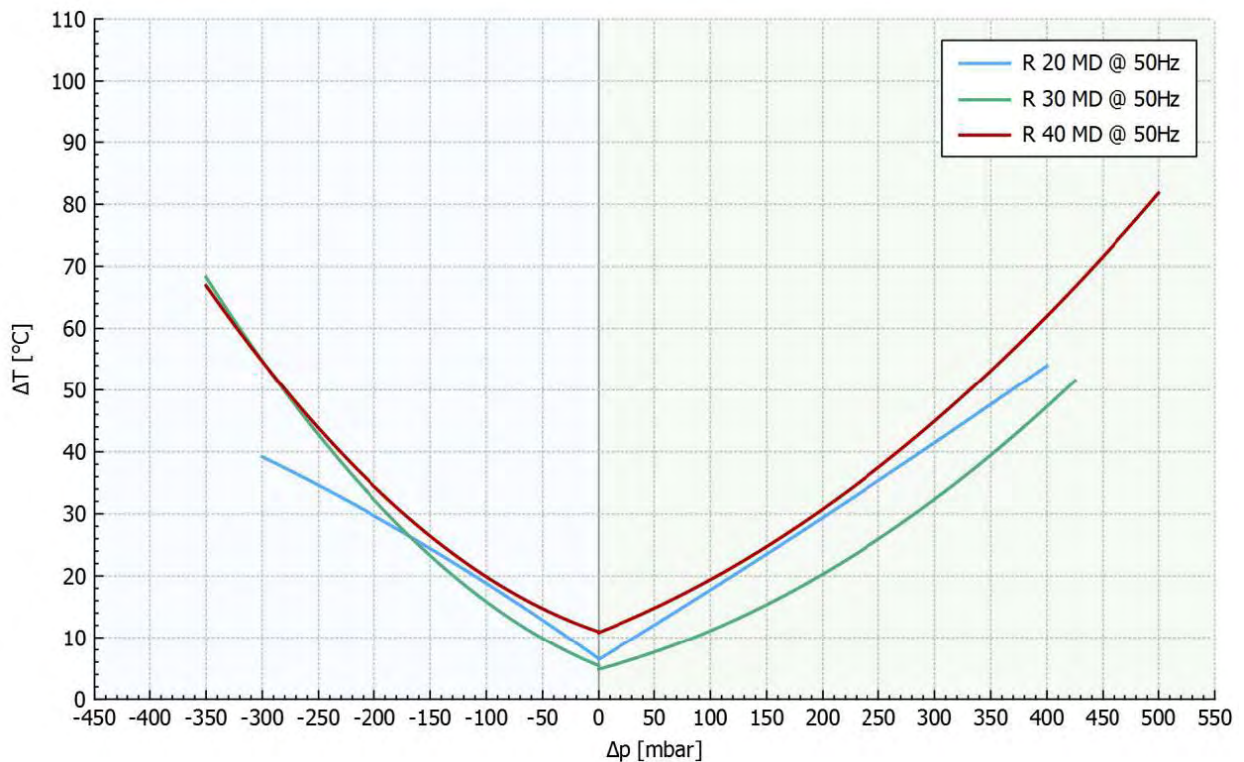


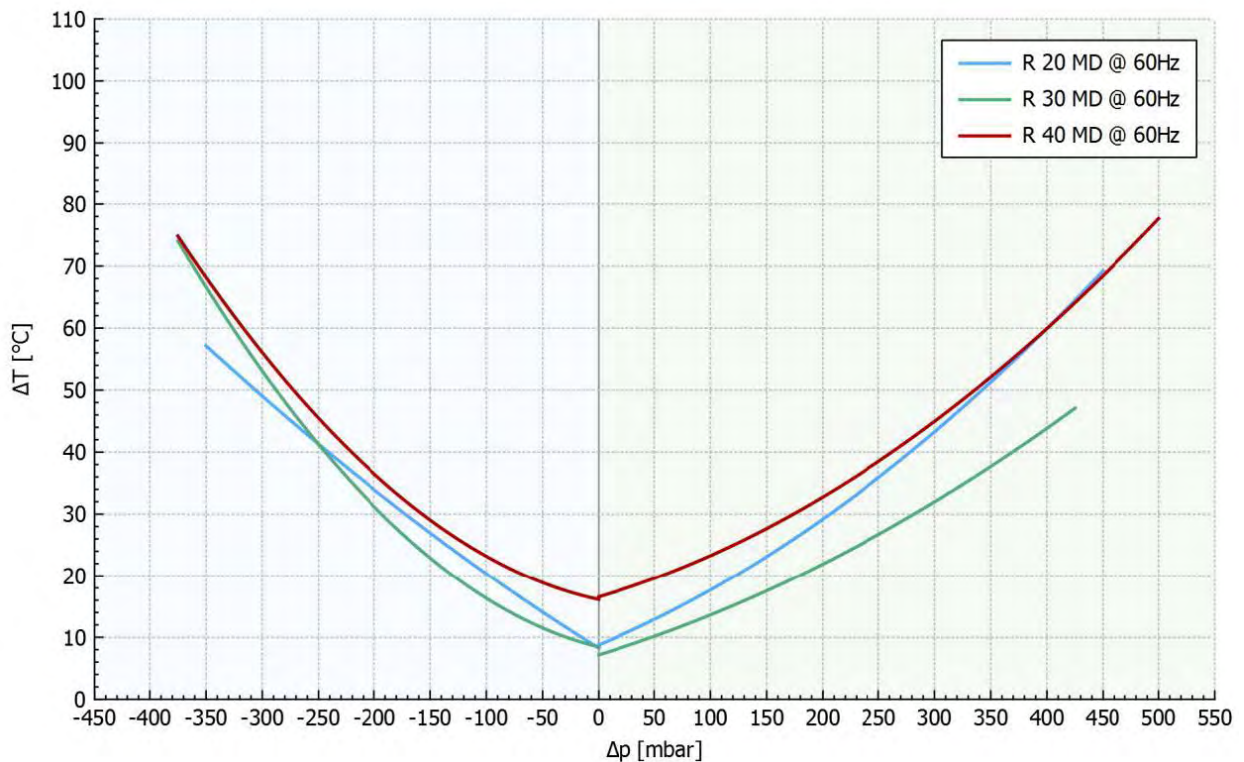
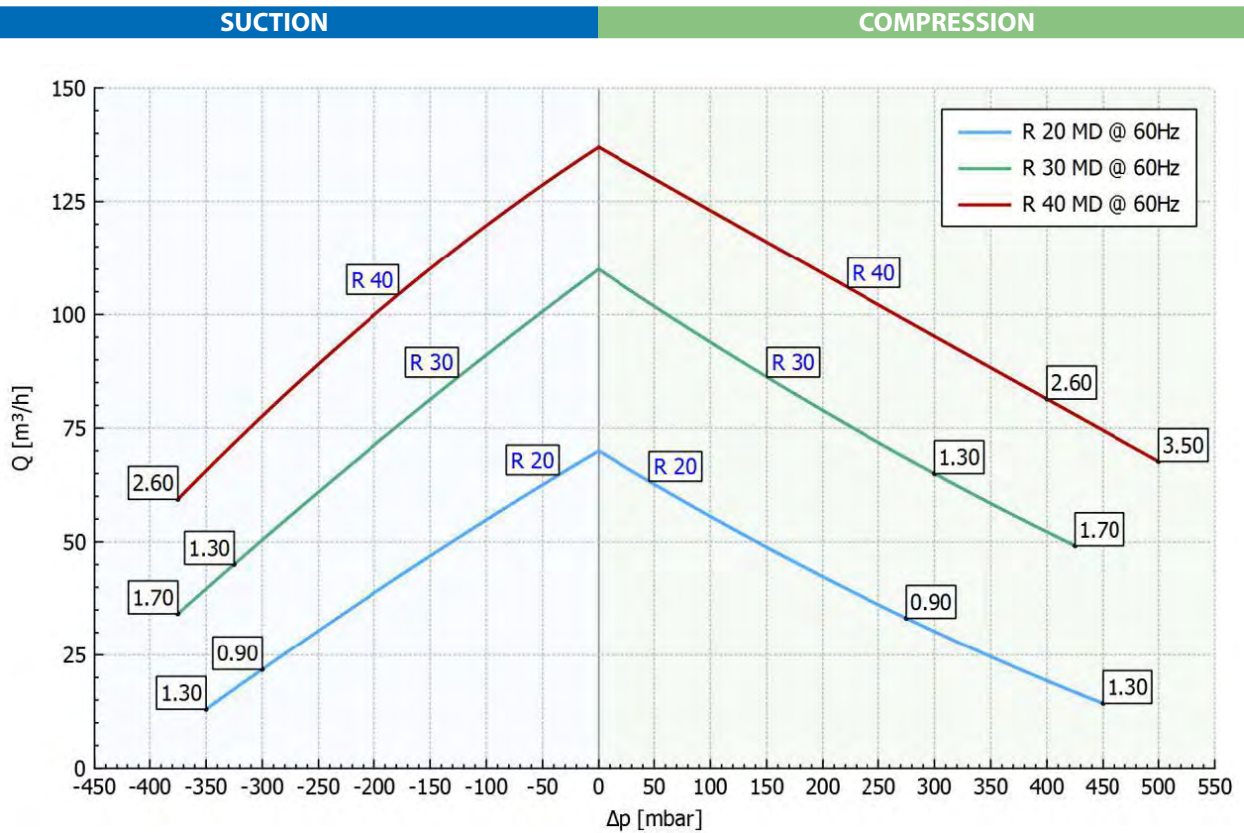
Standard version



Available on request

* The value indicated refers to the machine with motor of maximum length.
** The value indicated refers to the weight of the machine without electric motor.

Operation @ 50Hz


Operation @ 60Hz


SIDE CHANNEL BLOWER • VERSION IE3

K07RMD GOR/GVR

Technical characteristics

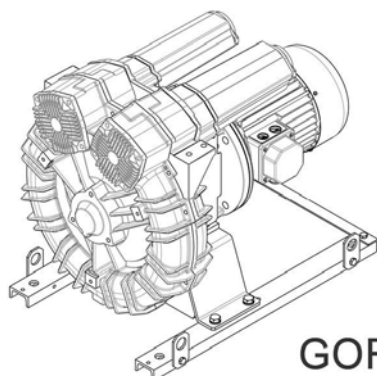
- Aluminium alloy construction
- Smooth operation
- Maintenance free

Electric motor

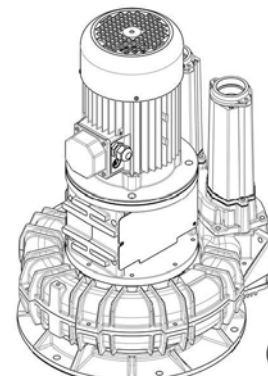
- Motors with IP55 protection rating
- Class F(B) insulation

Options

- Special voltages (IEC 60038)
- Surface treatments
- Increased seal version
- VFD compatible motor
- PTO/PTC thermal protector



GOR



GVR

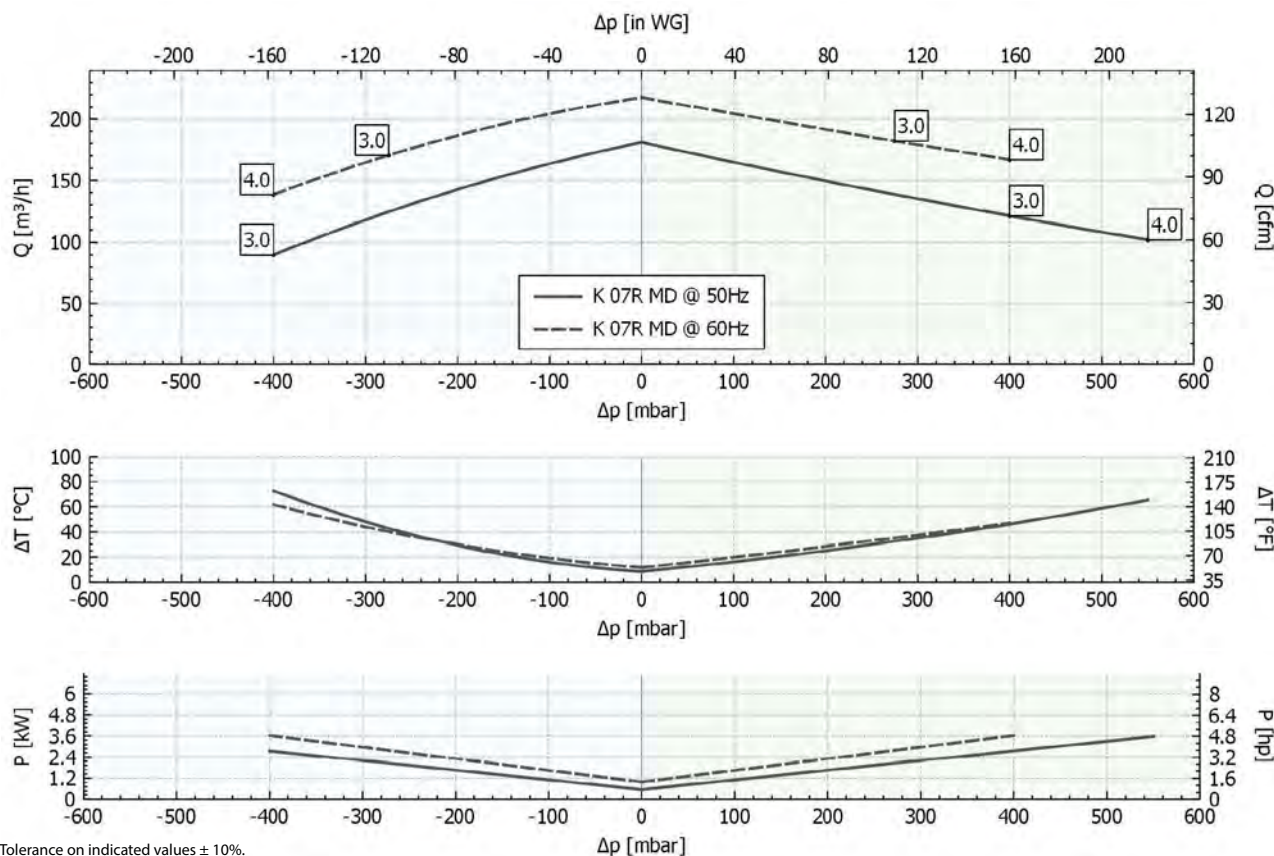
PERFORMANCE TABLE

P _n [kW]	Frequency [Hz]	Δp _{max} [mbar]		Q _{max} [m ³ /h]	Leq ¹ [dB(A)]	Weight [kg] GOR / GVR	H ³ [mm]
		Suction	Compression				
3	50	400	400	181	70.5	72.5 / 63.0	618
3	60	275	275	218	72.5	72.5 / 63.0	618
4	50	-	550	181	70.5	78.0 / 69.0	641
4	60	400	400	218	72.5	78.0 / 69.0	641

1. Noise level measured at a distance of 1 m with ducted intake and delivery, in accordance with Standard ISO 3744.
2. See figure "dimensions" at following page.

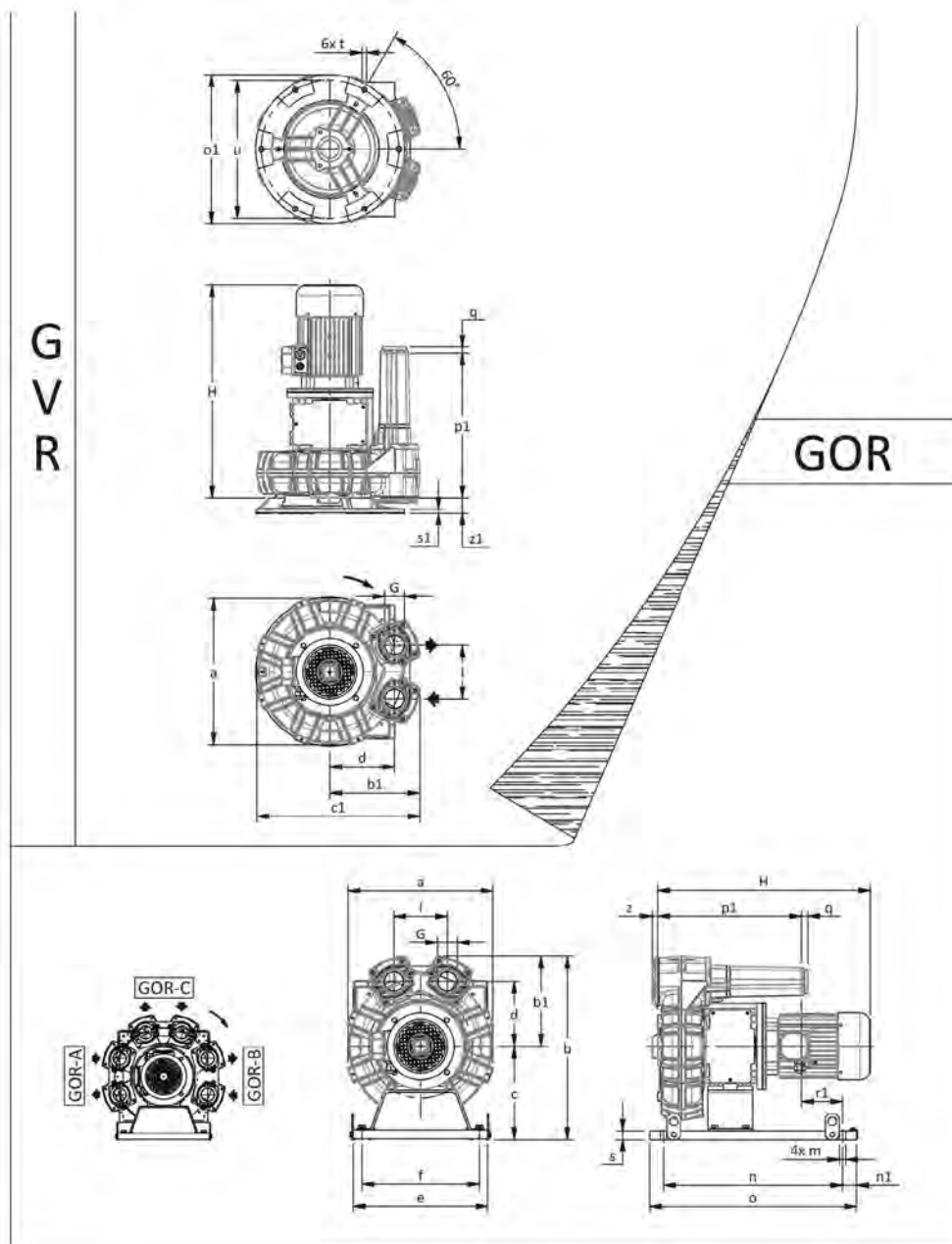
SUCTION

COMPRESSION



Tolerance on indicated values ± 10%.
 Data subject to change without notice.
 Curves referring to air at a temperature of 20 °C and atmospheric pressure of 1013 mbar (abs).

DIMENSIONS



Dimensions in mm
NOT Binding

a	b	b1	c	c1	d	d1	e	f	G	l	l1	l2	m				
424	532	262	270	474	187	-	390	340	G 2"	155	-	-	18				
n	n1	o	o1	p1	p2	q	r	r1	s	s1	t	u	v	w	x	z	z1
520	40	600	430	418	-	18	-	119	25	12	13	400	-	-	-	16	45

INSTALLATION

- For proper operation of the machine, it must be provided with a suction FILTER and a vacuum/pressure limiting VALVE.
- Other accessories are available on request.
- Permissible ambient and fluid temperature in suction from -15 °C to +40 °C.
- Read the instruction manual carefully before installing the machine.

SIDE CHANNEL BLOWER • VERSION IE3

K08RMD GOR/GVR

Technical characteristics

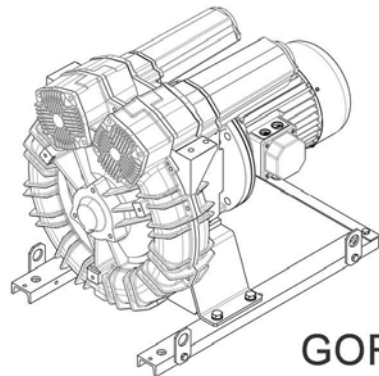
- Aluminium alloy construction
- Smooth operation
- Maintenance free

Electric motor

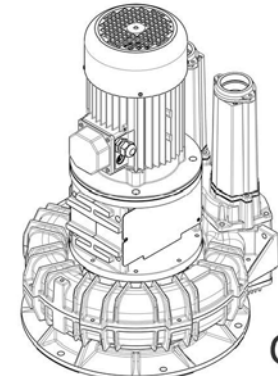
- Motors with IP55 protection rating
- Class F(B) insulation

Options

- Special voltages (IEC 60038)
- Surface treatments
- Increased seal version
- VFD compatible motor
- PTO/PTC thermal protector



GOR



GVR

PERFORMANCE TABLE

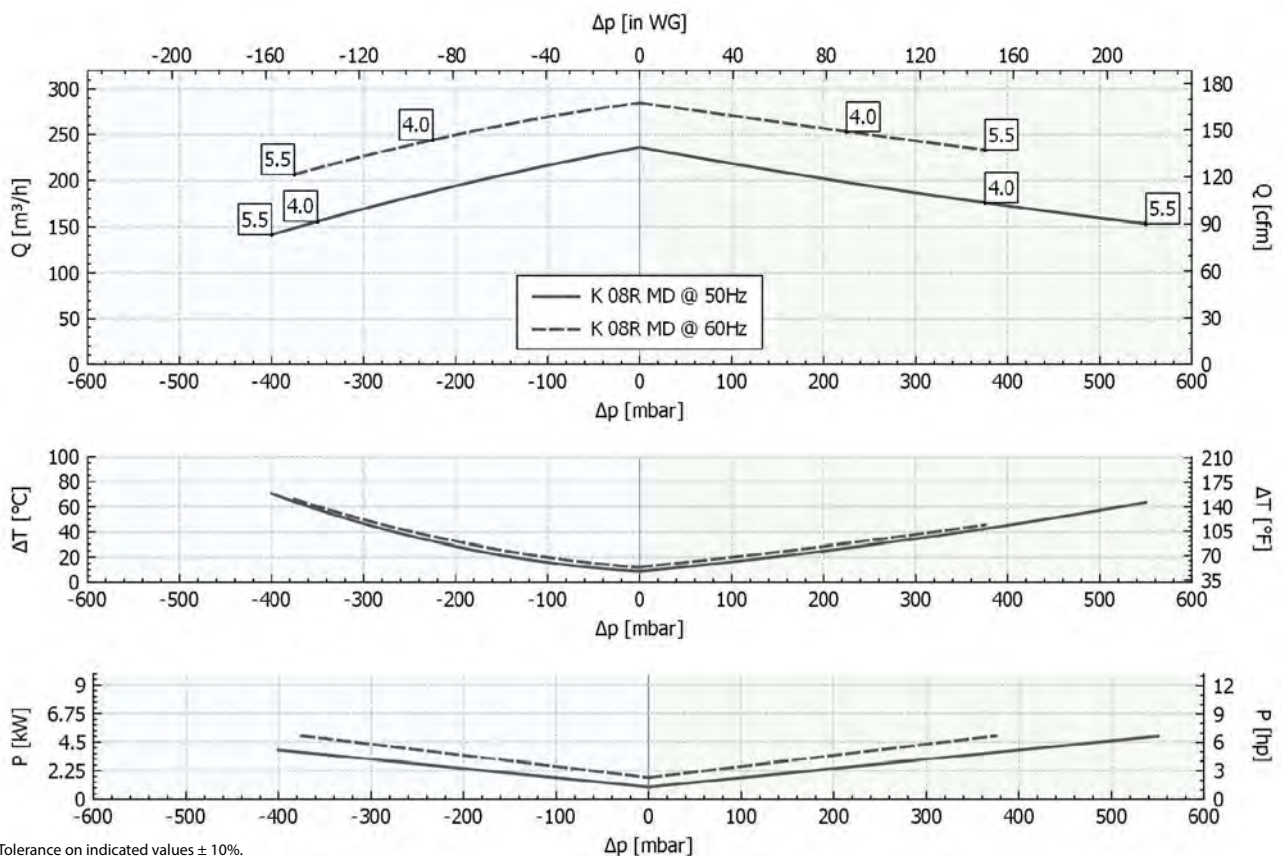
P _n [kW]	Frequency [Hz]	Δp _{max} [mbar]		Q _{max} [m ³ /h]	Leq ¹ [dB(A)]	Weight [kg] GOR / GVR	H ³ [mm]
		Suction	Compression				
4	50	350	375	236	73.4	81.5 / 72.5	641
4	60	225	225	285	75.4	81.5 / 72.5	641
5.5	50	400	550	236	73.4	88.0 / 79.0	641
5.5	60	375	375	285	75.4	88.0 / 79.0	641

1. Noise level measured at a distance of 1 m with ducted intake and delivery, in accordance with Standard ISO 3744.

2. See figure "dimensions" at following page.

SUCTION

COMPRESSION

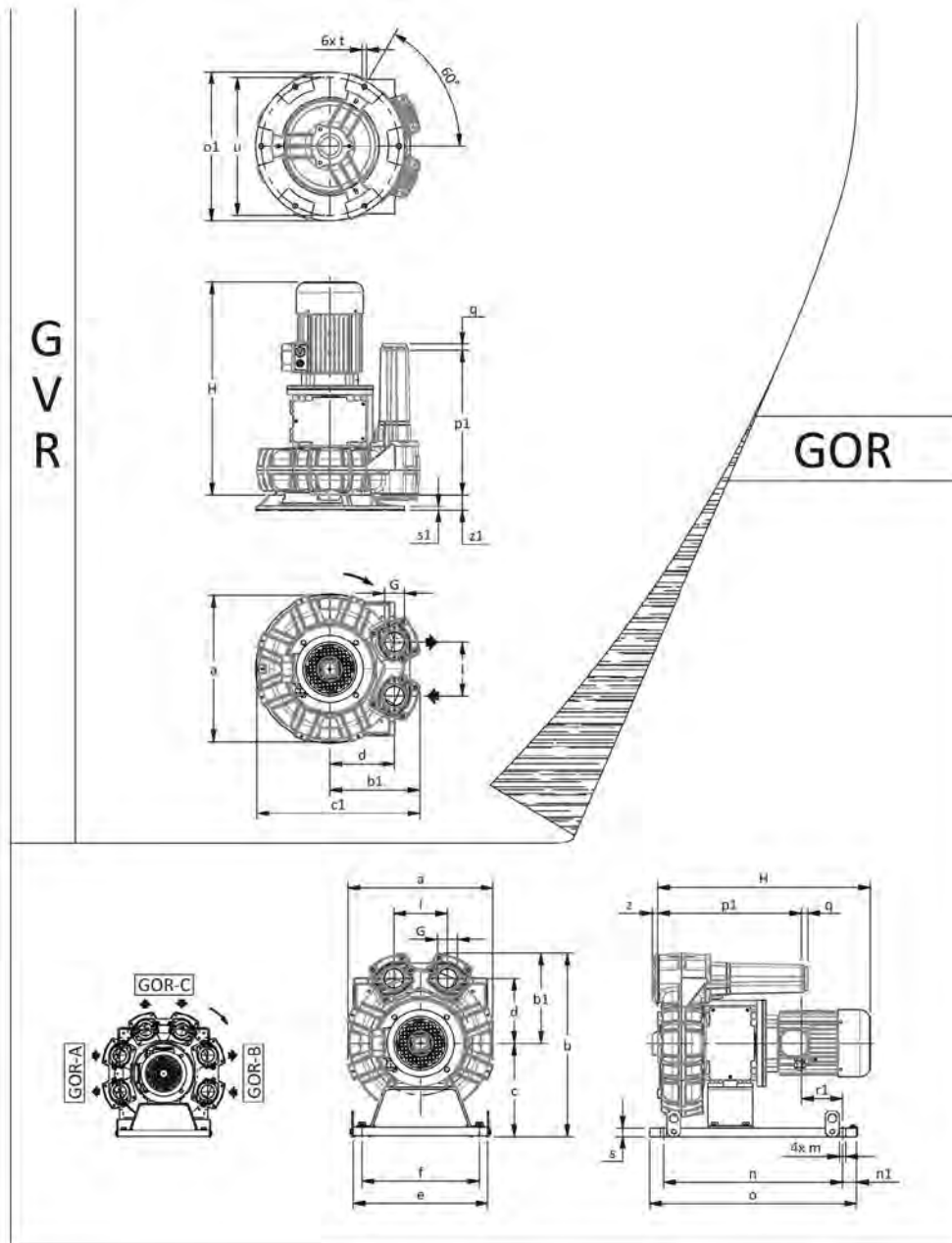


Tolerance on indicated values ± 10%.

Data subject to change without notice.

Curves referring to air at a temperature of 20 °C and atmospheric pressure of 1013 mbar (abs).

DIMENSIONS



Dimensions in mm
NOT Binding

a	b	b1	c	c1	d	d1	e	f	G	l	l1	l2	m				
457	532	262	270	490.5	187	-	390	340	G 2"	155	-	-	18				
n	n1	o	o1	p1	p2	q	r	r1	s	s1	t	u	v	w	x	z	z1
520	40	600	430	418	-	18	-	131	25	12	13	400	-	-	-	16	45

INSTALLATION

- For proper operation of the machine, it must be provided with a suction FILTER and a vacuum/pressure limiting VALVE.
- Other accessories are available on request.
- Permissible ambient and fluid temperature in suction from -15 °C to +40 °C.
- Read the instruction manual carefully before installing the machine.

SIDE CHANNEL BLOWER • VERSION IE3

K09MD GOR/GVR

Technical characteristics

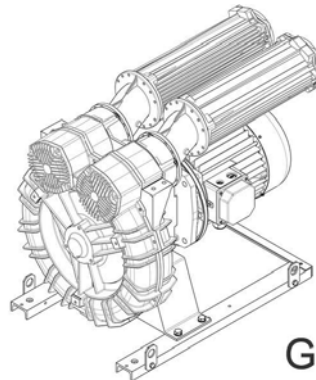
- Aluminium alloy construction
- Smooth operation
- Maintenance free

Electric motor

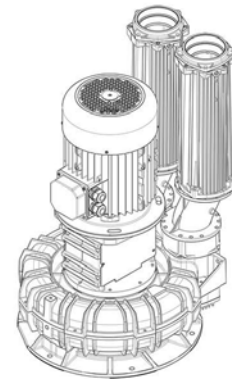
- Motors with IP55 protection rating
- Class F(B) insulation

Options

- Special voltages (IEC 60038)
- Surface treatments
- Increased seal version
- VFD compatible motor
- PTO/PTC thermal protector



GOR



GVR

PERFORMANCE TABLE

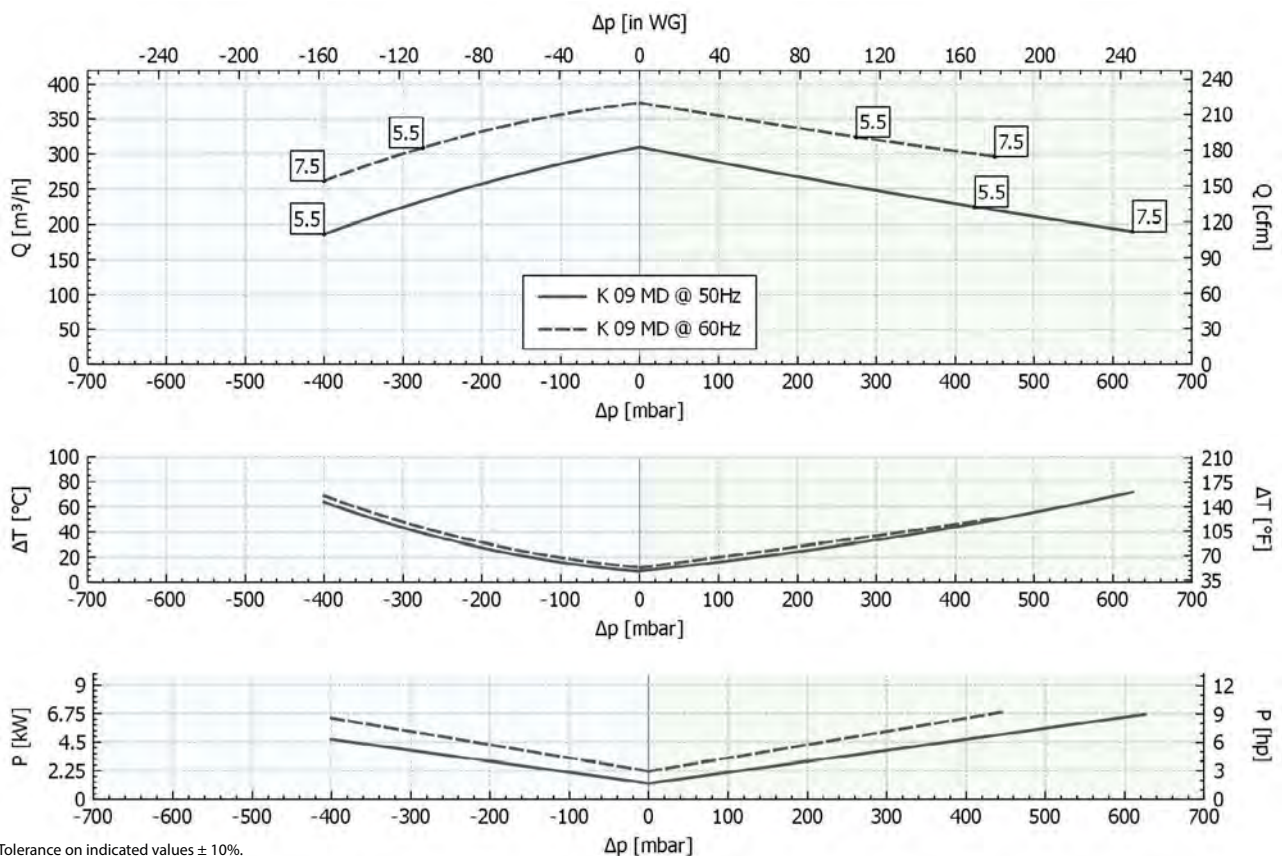
P _n [kW]	Frequency [Hz]	Δp _{max} [mbar]		Q _{max} [m ³ /h]	Leq ¹ [dB(A)]	Weight [kg] GOR / GVR	H ³ [mm]
		Suction	Compression				
5.5	50	400	425	310	74.4	108.0 / 95.0	653
5.5	60	275	275	374	76.4	108.0 / 95.0	653
7.5	50	-	625	310	74.4	125.0 / 112.5	714
7.5	60	400	450	374	76.4	125.0 / 112.5	714

1. Noise level measured at a distance of 1 m with ducted intake and delivery, in accordance with Standard ISO 3744.

2. See figure "dimensions" at following page.

SUCTION

COMPRESSION

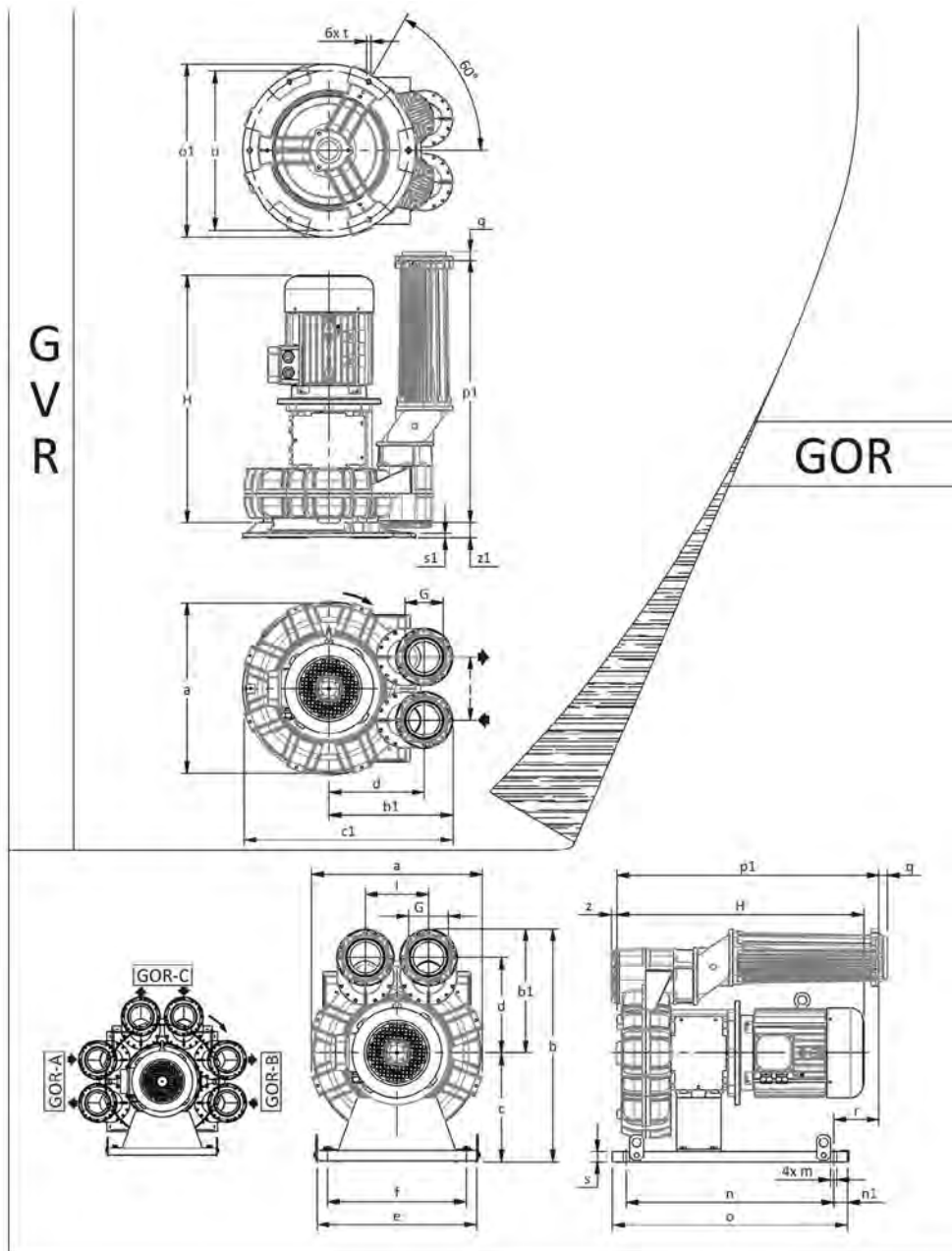


Tolerance on indicated values $\pm 10\%$.

Data subject to change without notice.

Curves referring to air at a temperature of 20 $^{\circ}C$ and atmospheric pressure of 1013 mbar (abs).

DIMENSIONS



Dimensions in mm
NOT Binding

a	b	b1	c	c1	d	d1	e	f	G	l	l1	l2	m				
492	675	360	315	606	275	-	460	400	G 4"	182	-	-	18				
n	n1	o	o1	p1	p2	q	r	r1	s	s1	t	u	v	w	x	z	z1
600	40	680	500	702	-	25	131	-	30	12	13	460	-	-	-	16	45

INSTALLATION

- For proper operation of the machine, it must be provided with a suction FILTER and a vacuum/pressure limiting VALVE.
- Other accessories are available on request.
- Permissible ambient and fluid temperature in suction from -15 °C to +40 °C.
- Read the instruction manual carefully before installing the machine.

SIDE CHANNEL BLOWER • VERSION IE3

K10MD GOR/GVR

Technical characteristics

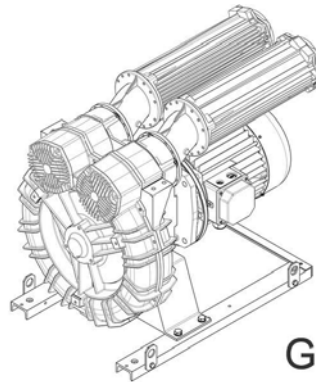
- Aluminium alloy construction
- Smooth operation
- Maintenance free

Electric motor

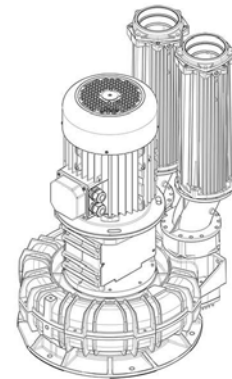
- Motors with IP55 protection rating
- Class F(B) insulation

Options

- Special voltages (IEC 60038)
- Surface treatments
- Increased seal version
- VFD compatible motor
- PTO/PTC thermal protector



GOR



GVR

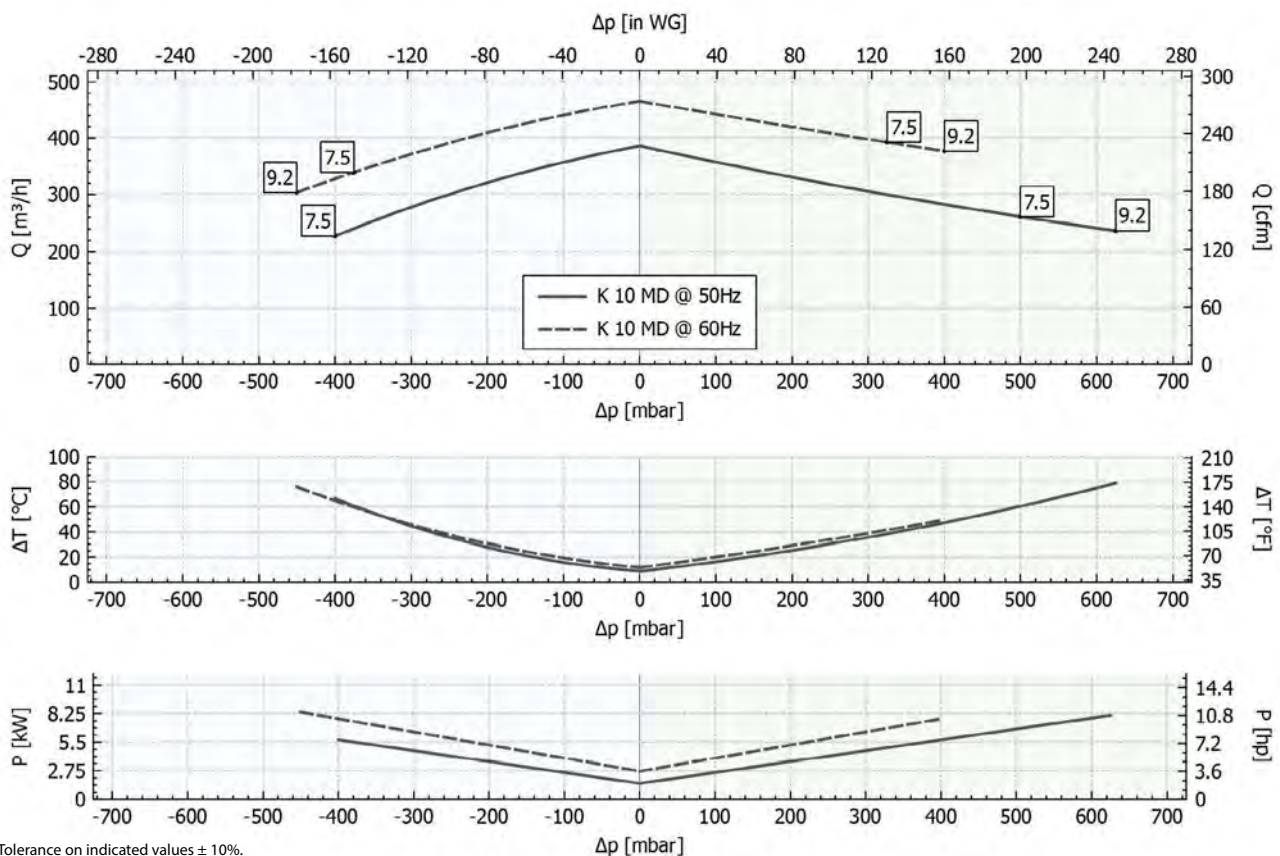
PERFORMANCE TABLE

P _n [kW]	Frequency [Hz]	Δp _{max} [mbar]		Q _{max} [m ³ /h]	Leq ¹ [dB(A)]	Weight [kg] GOR / GVR	H ³ [mm]
		Suction	Compression				
7.5	50	400	500	386	78.4	127.0 / 114.0	714
7.5	60	375	325	466	80.4	127.0 / 114.0	714
9.2	50	-	625	386	78.4	133.0 / 120.0	752
9.2	60	450	400	466	80.4	133.0 / 120.0	752

1. Noise level measured at a distance of 1 m with ducted intake and delivery, in accordance with Standard ISO 3744.
2. See figure "dimensions" at following page.

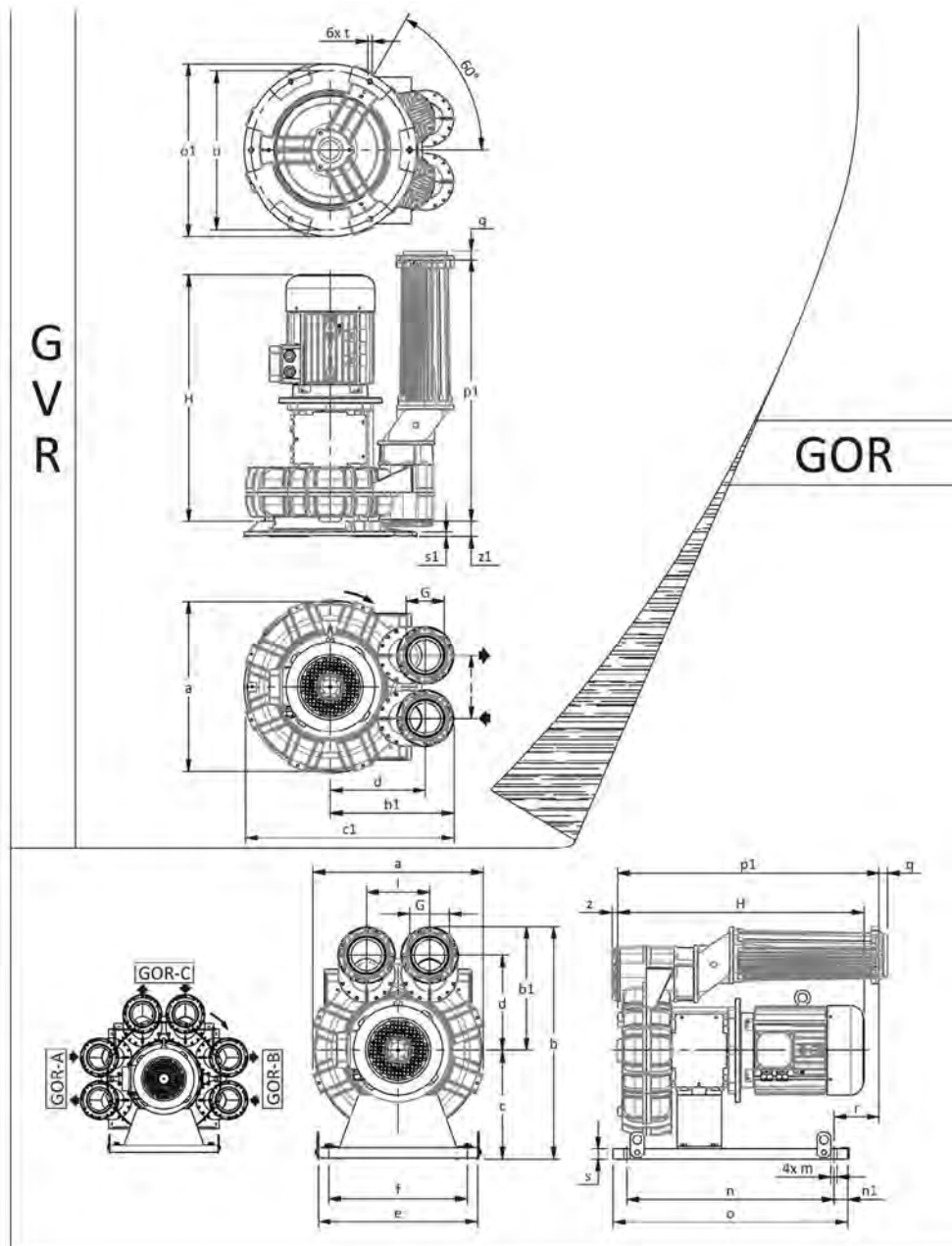
SUCTION

COMPRESSION



Tolerance on indicated values $\pm 10\%$.
 Data subject to change without notice.
 Curves referring to air at a temperature of 20 °C and atmospheric pressure of 1013 mbar (abs).

DIMENSIONS



Dimensions in mm
NOT Binding

a	b	b1	c	c1	d	d1	e	f	G	l	l1	l2	m				
516	675	360	315	618	275	-	460	400	G 4"	182	-	-	18				
n	n1	o	o1	p1	p2	q	r	r1	s	s1	t	u	v	w	x	z	z1
600	40	680	500	702	-	25	131	-	30	12	13	460	-	-	-	16	45

INSTALLATION

- For proper operation of the machine, it must be provided with a suction FILTER and a vacuum/pressure limiting VALVE.
- Other accessories are available on request.
- Permissible ambient and fluid temperature in suction from -15 °C to +40 °C.
- Read the instruction manual carefully before installing the machine.

SIDE CHANNEL BLOWER • VERSION IE3

K11MD GOR/GVR

Technical characteristics

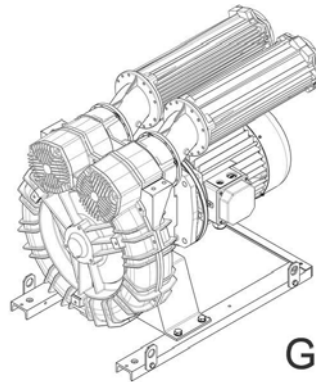
- Aluminium alloy construction
- Smooth operation
- Maintenance free

Electric motor

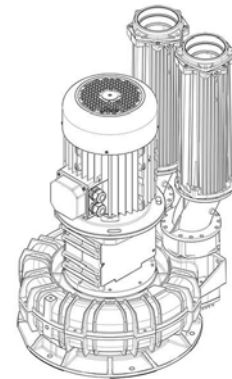
- Motors with IP55 protection rating
- Class F(B) insulation

Options

- Special voltages (IEC 60038)
- Surface treatments
- Increased seal version
- VFD compatible motor
- PTO/PTC thermal protector



GOR



GVR

PERFORMANCE TABLE

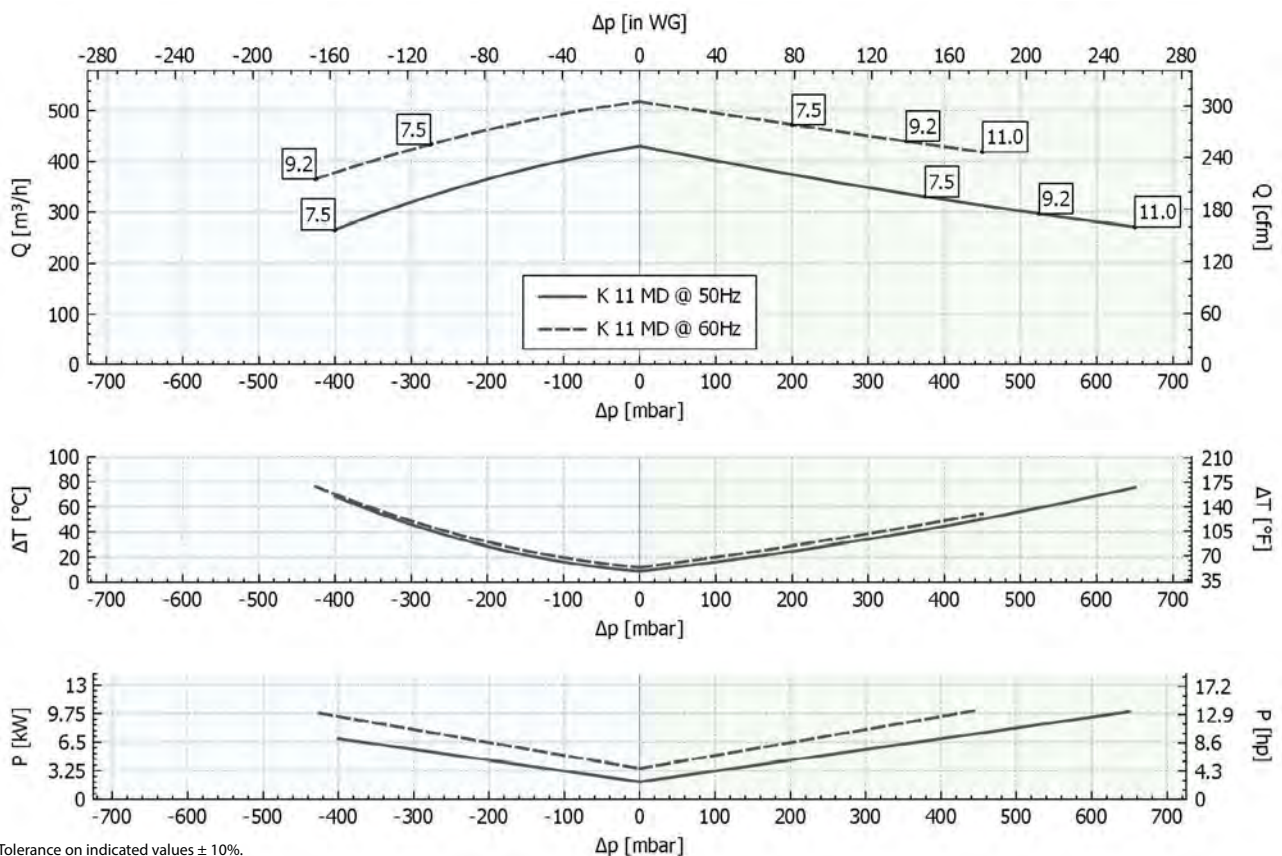
P _n [kW]	Frequency [Hz]	Δp _{max} [mbar]		Q _{max} [m ³ /h]	Leq ¹ [dB(A)]	Weight [kg] GOR / GVR	H ³ [mm]
		Suction	Compression				
7.5	50	400	375	430	78.4	135.0 / 121.5	719
7.5	60	275	200	519	80.4	135.0 / 121.5	719
9.2	50	-	525	430	78.4	140.5 / 127.5	757
9.2	60	425	350	519	80.4	140.5 / 127.5	757
11	50	-	650	430	78.4	144.5 / 131.5	757
11	60	-	450	519	80.4	144.5 / 131.5	757

1. Noise level measured at a distance of 1 m with ducted intake and delivery, in accordance with Standard ISO 3744.

2. See figure "dimensions" at following page.

SUCTION

COMPRESSION

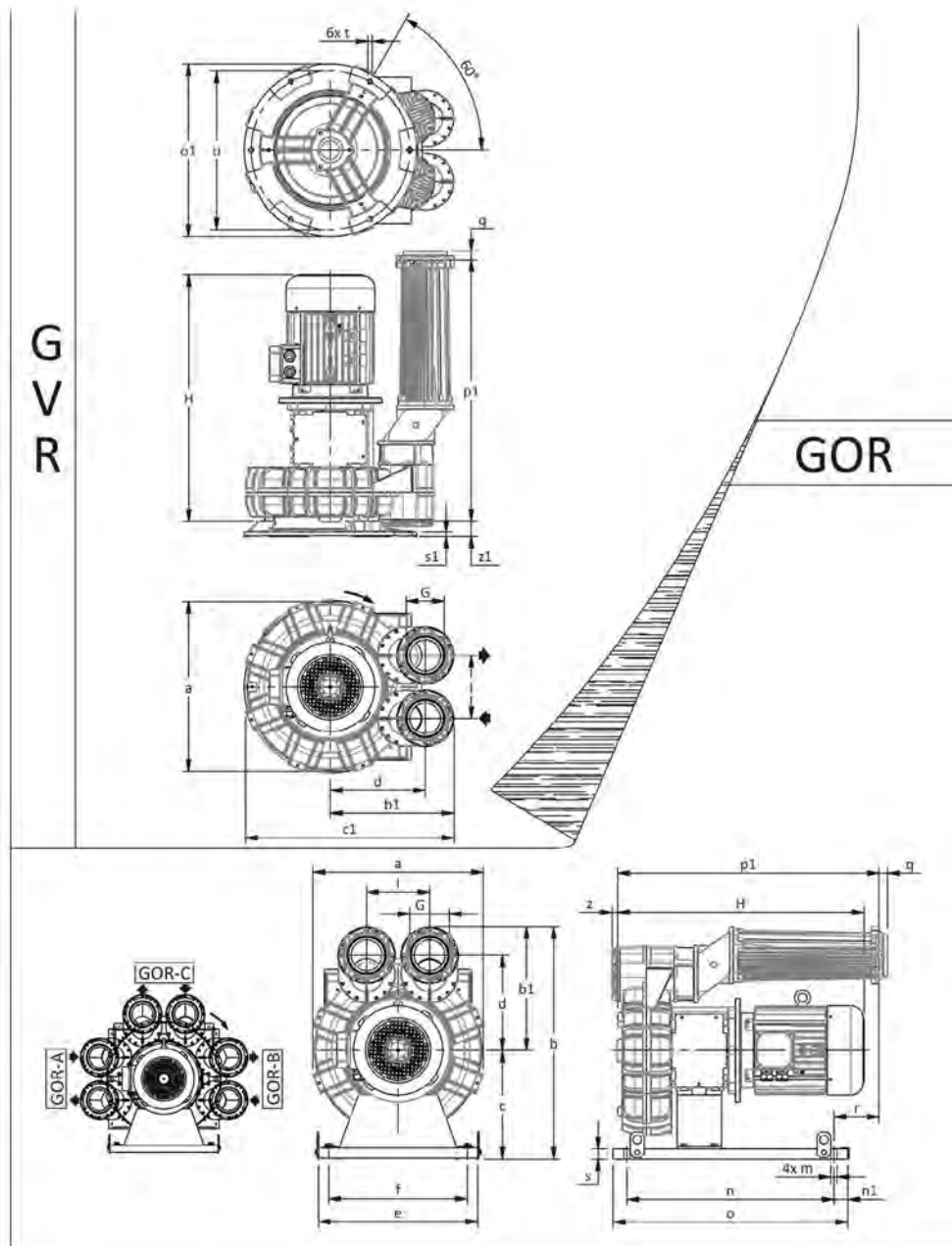


Tolerance on indicated values $\pm 10\%$.

Data subject to change without notice.

Curves referring to air at a temperature of 20 $^{\circ}C$ and atmospheric pressure of 1013 mbar (abs).

DIMENSIONS



Dimensions in mm
NOT Binding

a	b	b1	c	c1	d	d1	e	f	G	l	l1	l2	m				
542	695	380	315	651	297	-	460	400	G 4"	200	-	-	18				
n	n1	o	o1	p1	p2	q	r	r1	s	s1	t	u	v	w	x	z	z1
600	40	680	500	712	-	25	131	-	30	12	13	460	-	-	-	16	45

INSTALLATION

- For proper operation of the machine, it must be provided with a suction FILTER and a vacuum/pressure limiting VALVE.
- Other accessories are available on request.
- Permissible ambient and fluid temperature in suction from -15 °C to +40 °C.
- Read the instruction manual carefully before installing the machine.

SIDE CHANNEL BLOWER • VERSION IE3

K12MD GOR/GVR

Technical characteristics

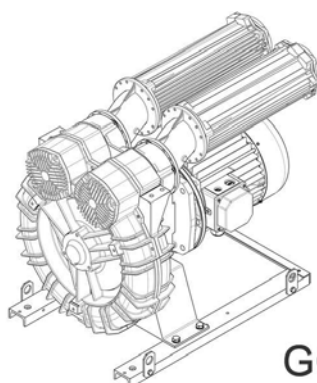
- Aluminium alloy construction
- Smooth operation
- Maintenance free

Electric motor

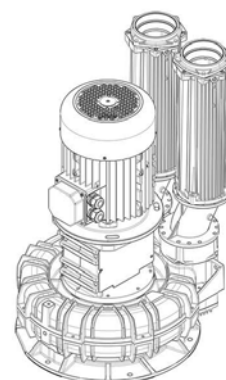
- Motors with IP55 protection rating
- Class F(B) insulation

Options

- Special voltages (IEC 60038)
- Surface treatments
- Increased seal version
- VFD compatible motor
- PTO/PTC thermal protector



GOR



GVR

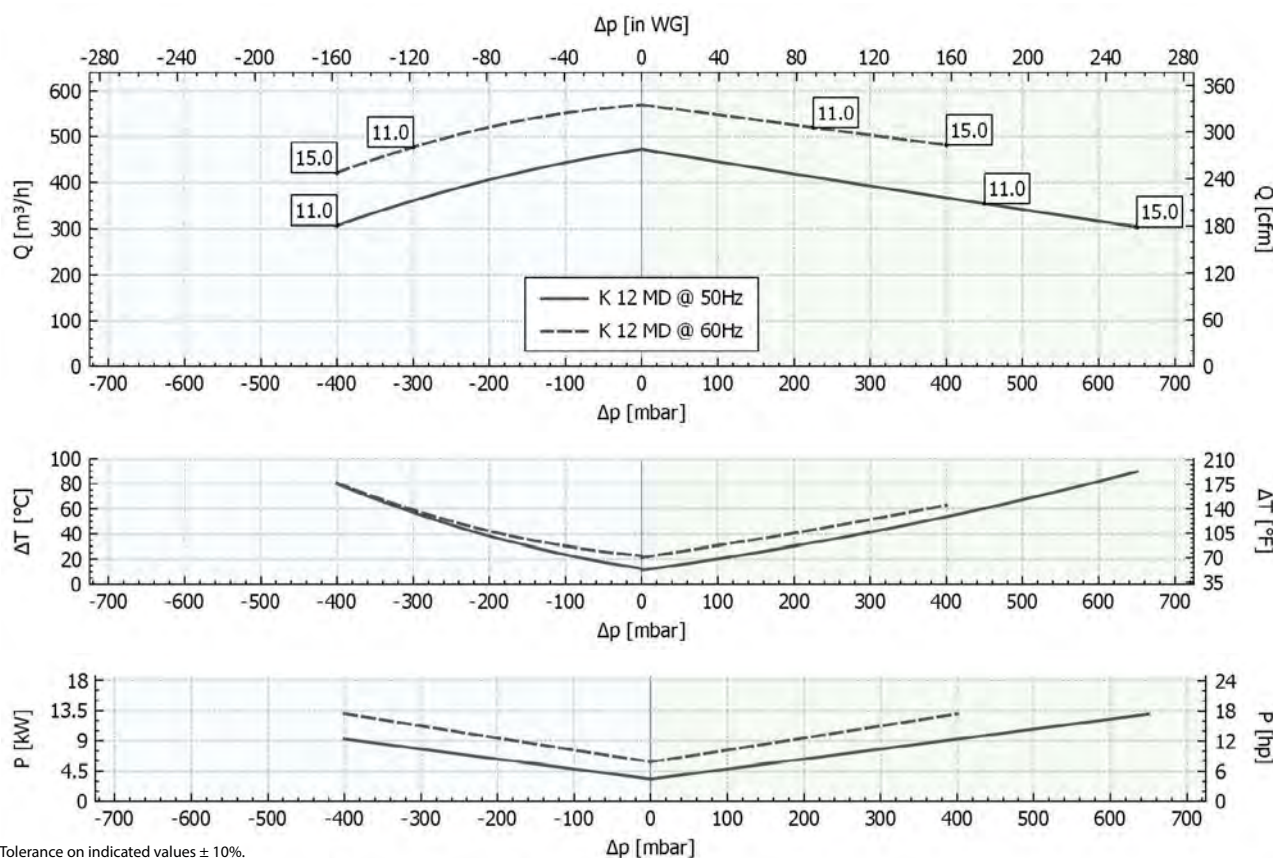
PERFORMANCE TABLE

P _n [kW]	Frequency [Hz]	Δp _{max} [mbar]		Q _{max} [m ³ /h]	Leq ¹ [dB(A)]	Weight [kg] GOR / GVR	H ³ [mm]
		Suction	Compression				
11	50	400	450	472	79.6	143.5 / 131.0	760
11	60	300	225	570	81.9	143.5 / 131.0	760
15	50	-	650	472	79.6	184.0 / 170.0	865
15	60	400	400	570	81.9	184.0 / 170.0	865

1. Noise level measured at a distance of 1 m with ducted intake and delivery, in accordance with Standard ISO 3744.
2. See figure "dimensions" at following page.

SUCTION

COMPRESSION

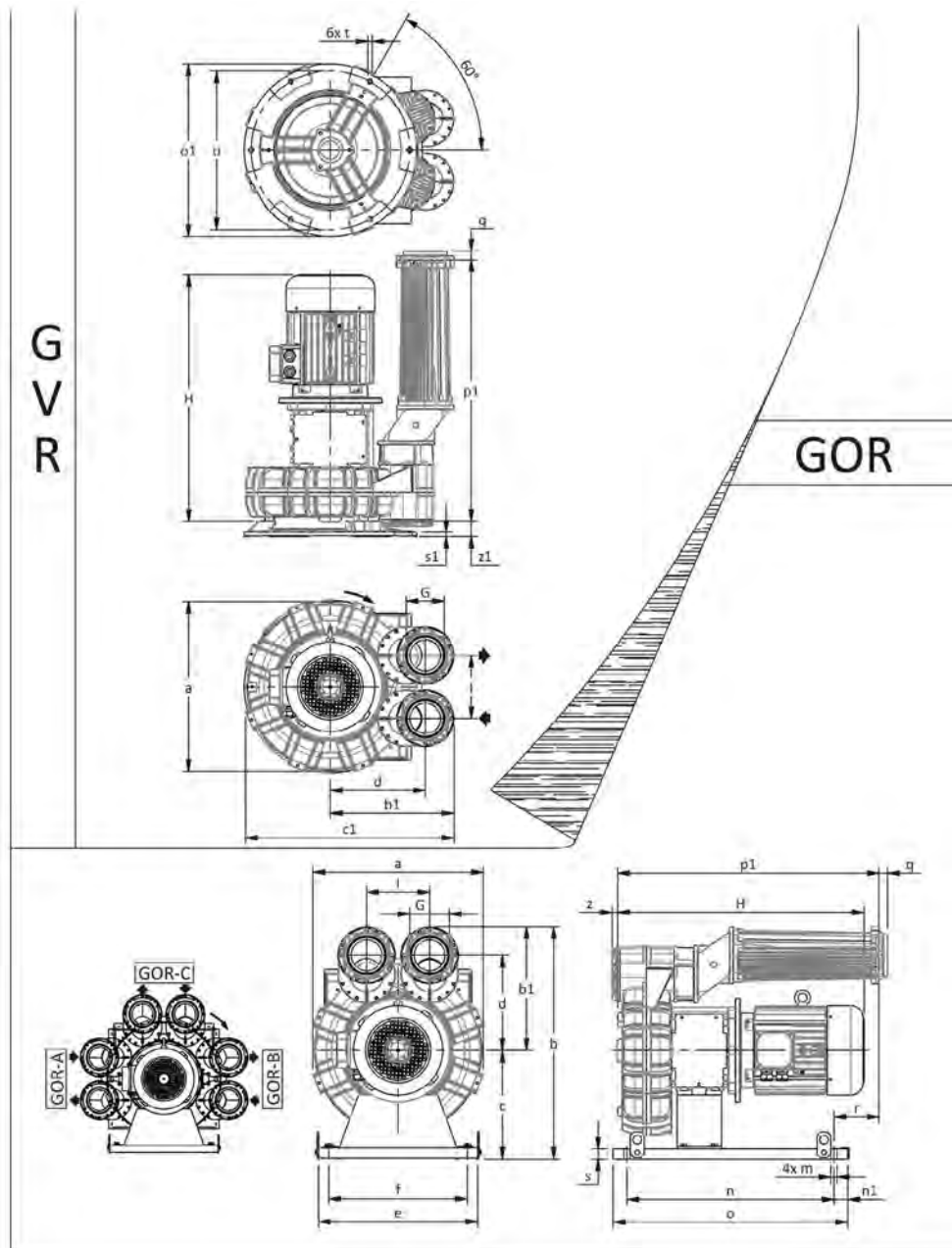


Tolerance on indicated values $\pm 10\%$.

Data subject to change without notice.

Curves referring to air at a temperature of 20 $^{\circ}C$ and atmospheric pressure of 1013 mbar (abs).

DIMENSIONS



Dimensions in mm
NOT Binding

a	b	b1	c	c1	d	d1	e	f	G	l	l1	l2	m				
548	695	380	315	654	297	-	460	400	G 4"	200	-	-	18				
n	n1	o	o1	p1	p2	q	r	r1	s	s1	t	u	v	w	x	z	z1
600	40	680	500	712	-	25	131	-	30	12	13	460	-	-	-	16	45

INSTALLATION

- For proper operation of the machine, it must be provided with a suction FILTER and a vacuum/pressure limiting VALVE.
- Other accessories are available on request.
- Permissible ambient and fluid temperature in suction from -15 °C to +40 °C.
- Read the instruction manual carefully before installing the machine.

SIDE CHANNEL BLOWER • VERSION IE3

K05TS GOR/GVR

Technical characteristics

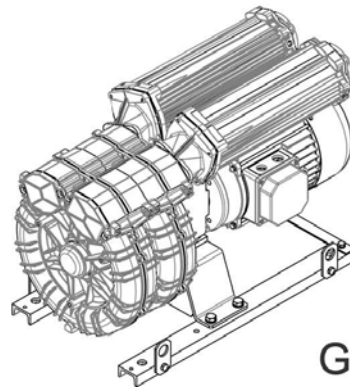
- Aluminium alloy construction
- Smooth operation
- Maintenance free

Electric motor

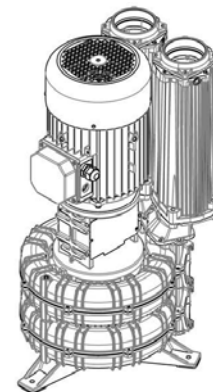
- Motors with IP55 protection rating
- Class F(B) insulation

Options

- Special voltages (IEC 60038)
- Surface treatments
- Increased seal version
- VFD compatible motor
- PTO/PTC thermal protector



GOR



GVR

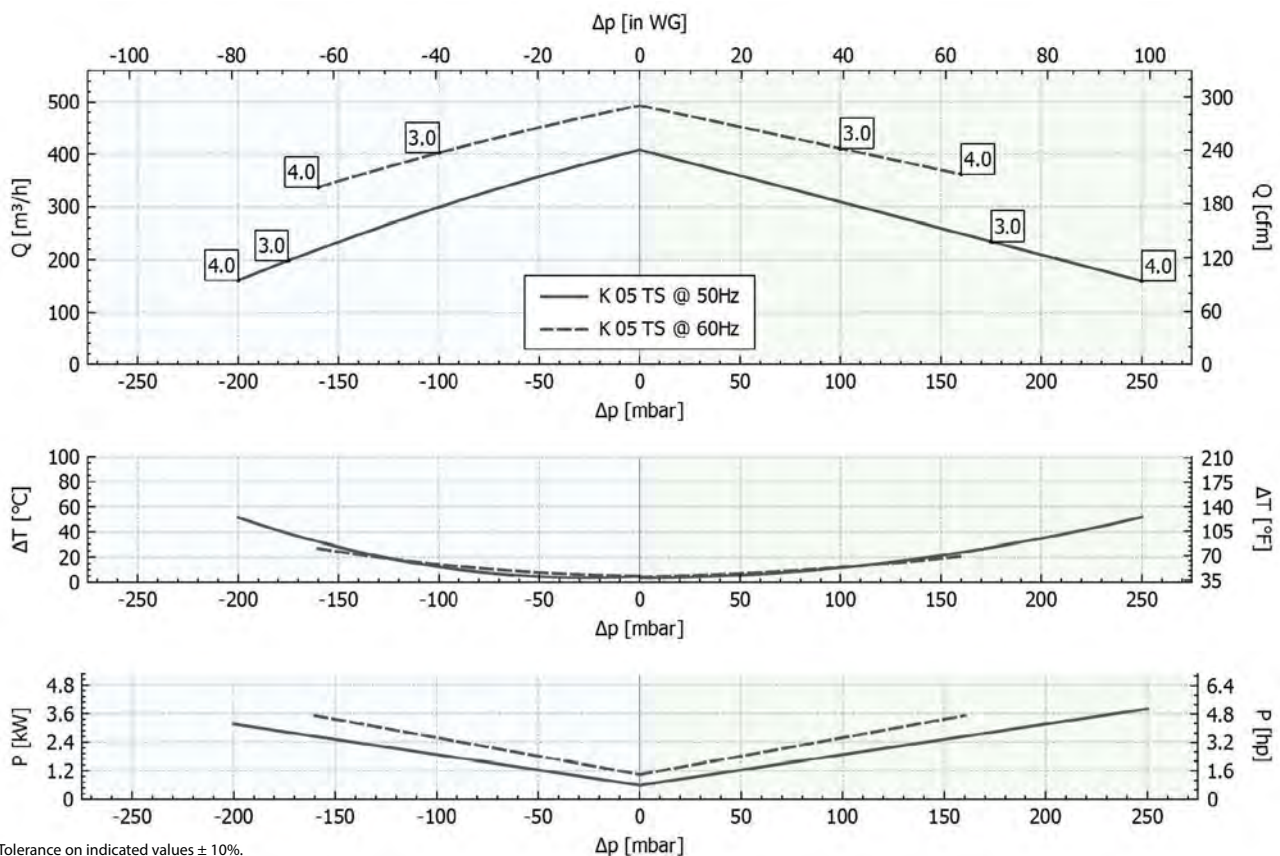
PERFORMANCE TABLE

P _n [kW]	Frequency [Hz]	Δp _{max} [mbar]		Q _{max} [m ³ /h]	Leq ¹ [dB(A)]	Weight [kg] GOR / GVR	H ³ [mm]
		Suction	Compression				
3	50	175	175	408	69.6	64.5 / 55.5	668
3	60	100	100	493	71.6	64.5 / 55.5	668
4	50	200	250	408	69.6	70.0 / 61.0	691
4	60	160	160	493	71.6	70.0 / 61.0	691

1. Noise level measured at a distance of 1 m with ducted intake and delivery, in accordance with Standard ISO 3744.
2. See figure "dimensions" at following page.

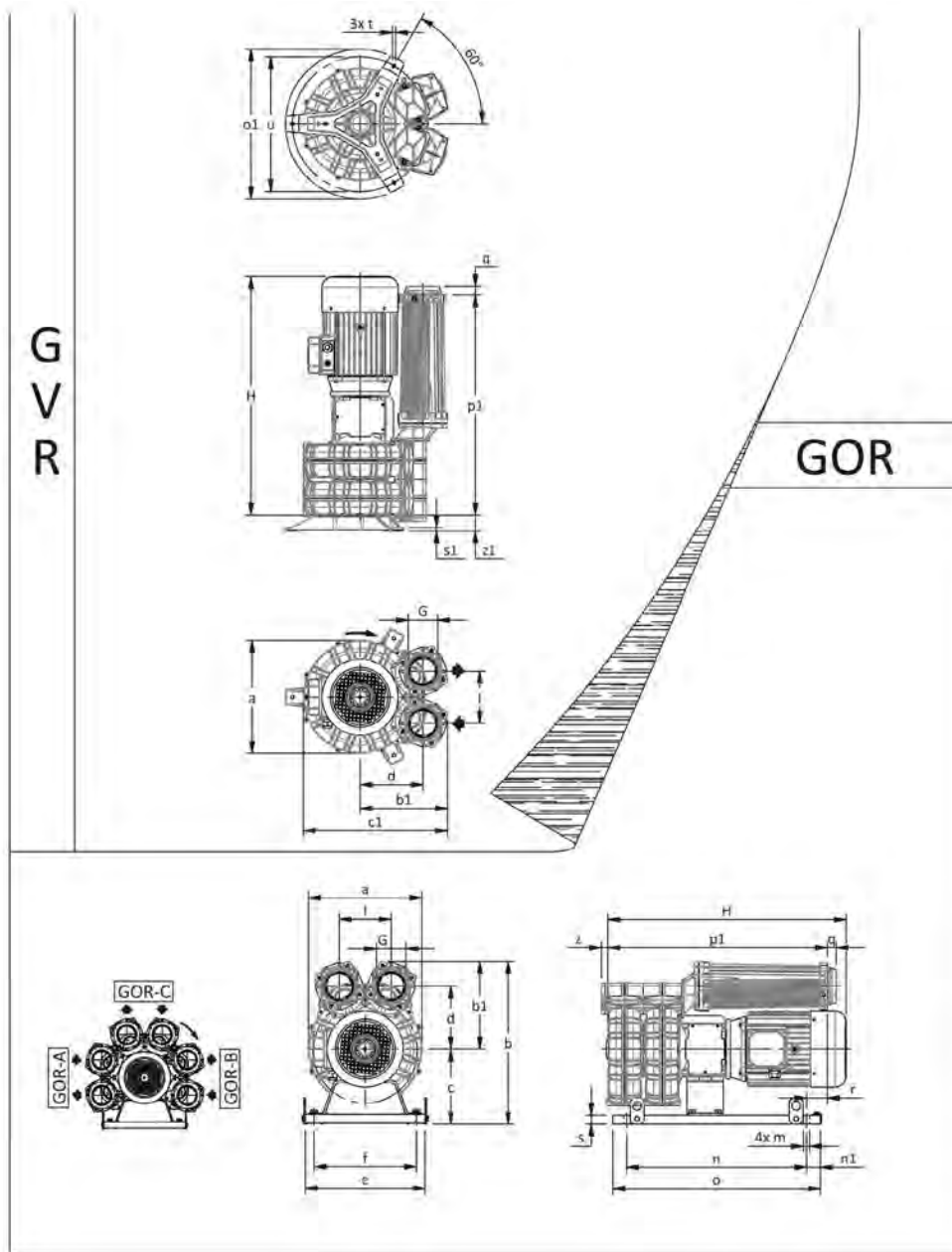
SUCTION

COMPRESSION



Tolerance on indicated values $\pm 10\%$.
 Data subject to change without notice.
 Curves referring to air at a temperature of 20 °C and atmospheric pressure of 1013 mbar (abs).

DIMENSIONS



Configuration with a vertical silencer is only available with the CK accessory kit; for all assembly options refer to FPZ.

Dimensions in mm

NOT Binding

a	b	b1	c	c1	d	d1	e	f	G	l	l1	l2	m				
327	469	252	216	416	181	-	345	295	G 3"	150	-	-	18				
n	n1	o	o1	p1	p2	q	r	r1	s	s1	t	u	v	w	x	z	z1
520	40	600	433	635	-	25	60	-	25	10	9	390	-	-	-	19	47

INSTALLATION

- For proper operation of the machine, it must be provided with a suction FILTER and a vacuum/pressure limiting VALVE.
- Other accessories are available on request.
- Permissible ambient and fluid temperature in suction from -15 °C to +40 °C.
- Read the instruction manual carefully before installing the machine.

SIDE CHANNEL BLOWER • VERSION IE3

K06TS GOR/GVR

Technical characteristics

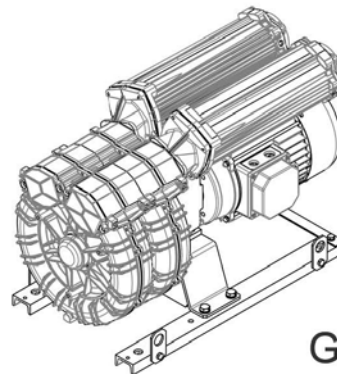
- Aluminium alloy construction
- Smooth operation
- Maintenance free

Electric motor

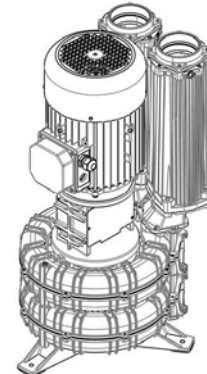
- Motors with IP55 protection rating
- Class F(B) insulation

Options

- Special voltages (IEC 60038)
- Surface treatments
- Increased seal version
- VFD compatible motor
- PTO/PTC thermal protector



GOR



GVR

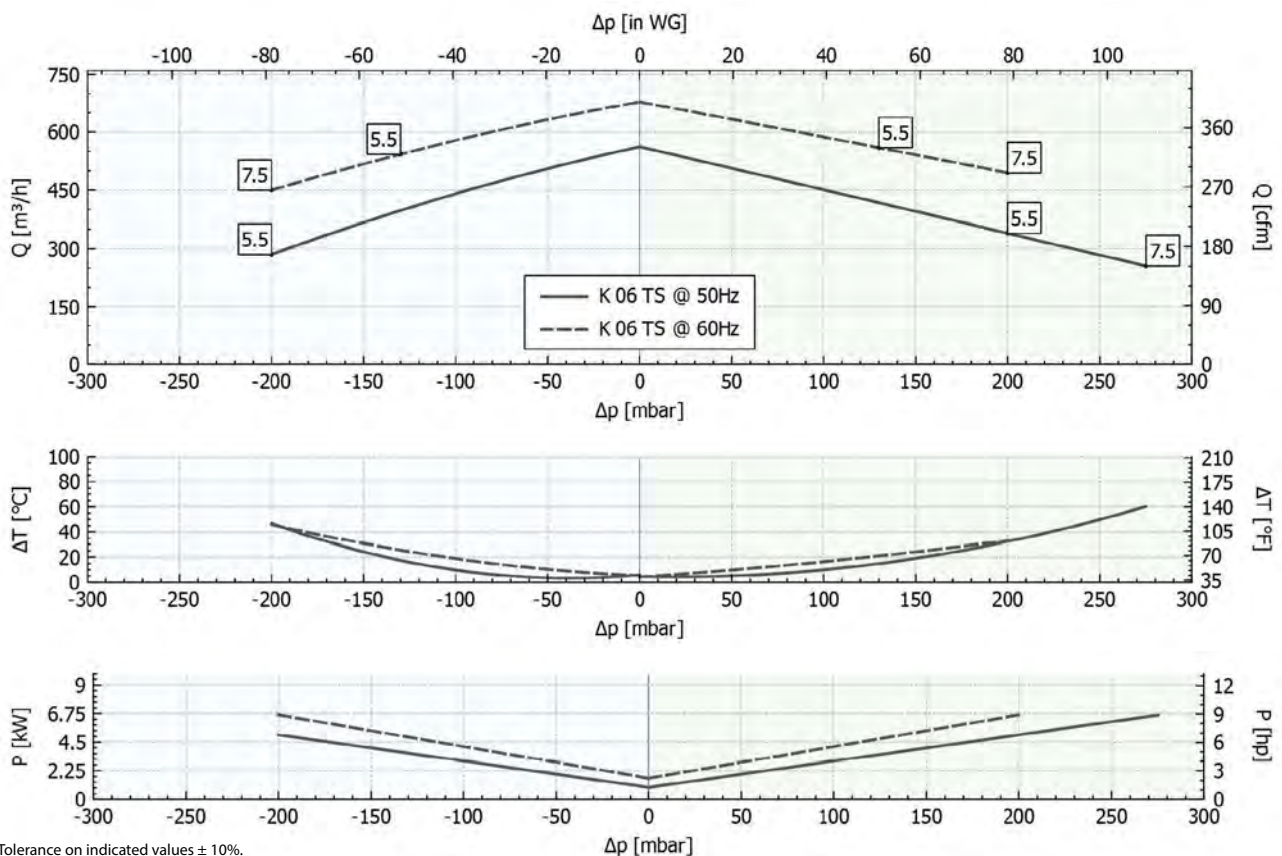
PERFORMANCE TABLE

P _n [kW]	Frequency [Hz]	Δp _{max} [mbar]		Q _{max} [m ³ /h]	Leq ¹ [dB(A)]	Weight [kg] GOR / GVR	H ³ [mm]
		Suction	Compression				
5.5	50	200	200	562	74.8	83.5 / 74.5	715
5.5	60	130	130	679	76.8	83.5 / 74.5	715
7.5	50	-	275	562	74.8	100.0 / 91.0	771
7.5	60	200	200	679	76.8	100.0 / 91.0	771

1. Noise level measured at a distance of 1 m with ducted intake and delivery, in accordance with Standard ISO 3744.
2. See figure "dimensions" at following page.

SUCTION

COMPRESSION

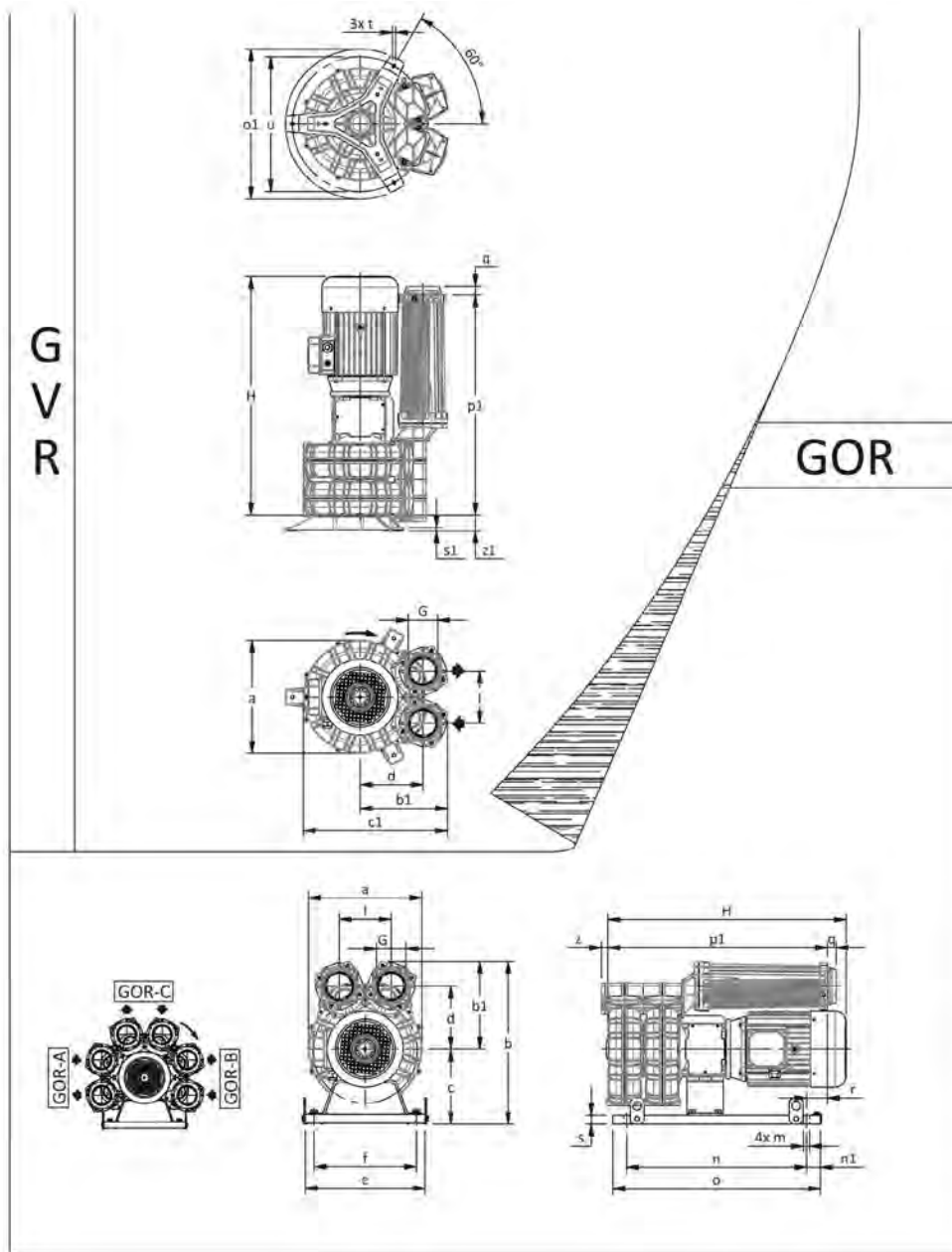


Tolerance on indicated values ± 10%.

Data subject to change without notice.

Curves referring to air at a temperature of 20 °C and atmospheric pressure of 1013 mbar (abs).

DIMENSIONS



Configuration with a vertical silencer is only available with the CK accessory kit; for all assembly options refer to FPZ.

Dimensions in mm

NOT Binding

a	b	b1	c	c1	d	d1	e	f	G	l	l1	l2	m				
376	475	259	216	447	187	-	345	295	G 3"	155	-	-	18				
n	n1	o	o1	p1	p2	q	r	r1	s	s1	t	u	v	w	x	z	z1
520	40	600	433	662	-	25	21	-	25	10	9	390	-	-	-	19	47

INSTALLATION

- For proper operation of the machine, it must be provided with a suction FILTER and a vacuum/pressure limiting VALVE.
- Other accessories are available on request.
- Permissible ambient and fluid temperature in suction from -15°C to $+40^\circ\text{C}$.
- Read the instruction manual carefully before installing the machine.

SIDE CHANNEL BLOWER • VERSION IE3

K07TS GOR/GVR

Technical characteristics

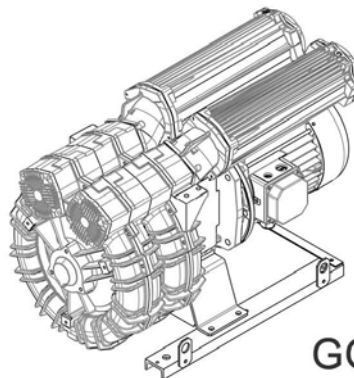
- Aluminium alloy construction
- Smooth operation
- Maintenance free

Electric motor

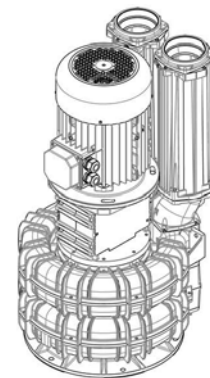
- Motors with IP55 protection rating
- Class F(B) insulation

Options

- Special voltages (IEC 60038)
- Surface treatments
- Increased seal version
- VFD compatible motor
- PTO/PTC thermal protector



GOR



GVR

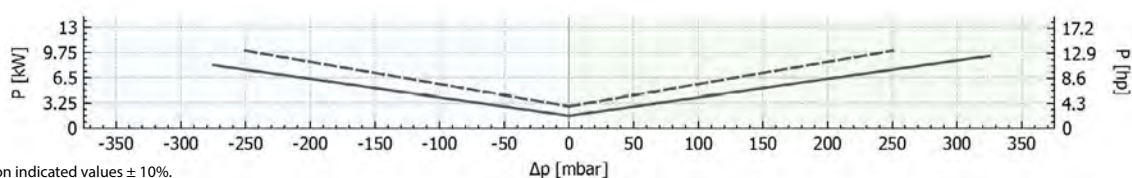
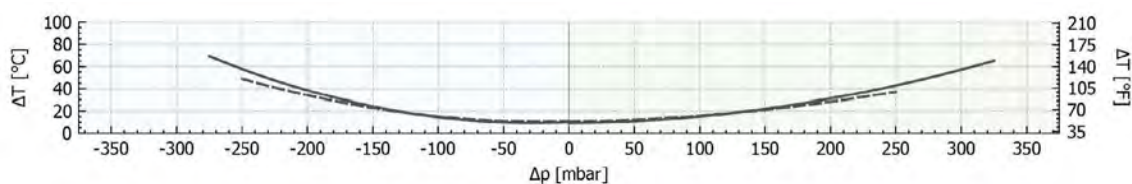
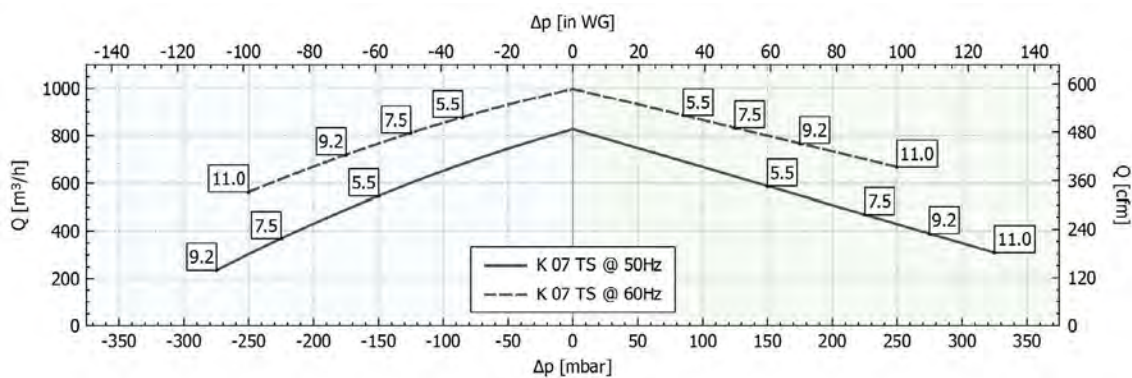
PERFORMANCE TABLE

P _n [kW]	Frequency [Hz]	Δp _{max} [mbar]		Q _{max} [m³/h]	Leq ¹ [dB(A)]	Weight [kg] GOR / GVR	H ³ [mm]
		Suction	Compression				
5.5	50	150	150	827	82.5	115.0 / 106.0	778
5.5	60	85	85	998	84.5	115.0 / 106.0	778
7.5	50	225	225	827	82.5	132.0 / 123.0	839
7.5	60	125	125	998	84.5	132.0 / 123.0	839
9.2	50	275	275	827	82.5	138.5 / 129.0	877
9.2	60	175	175	998	84.5	138.5 / 129.0	877
11	50	-	325	827	82.5	142.0 / 133.0	877
11	60	250	250	998	84.5	142.0 / 133.0	877

1. Noise level measured at a distance of 1 m with ducted intake and delivery, in accordance with Standard ISO 3744.
2. See figure "dimensions" at following page.

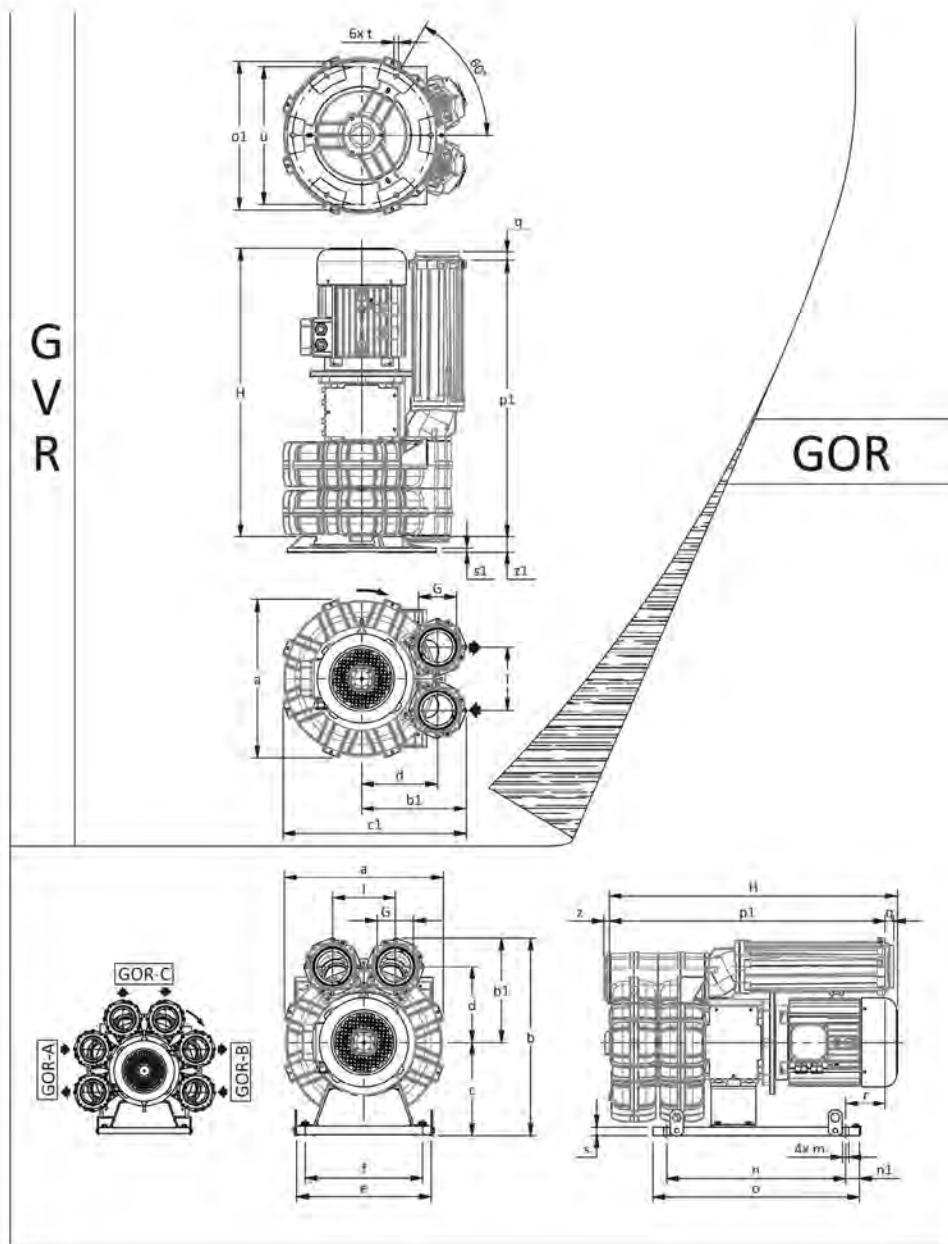
SUCTION

COMPRESSION



Tolerance on indicated values ± 10%.
Data subject to change without notice.
Curves referring to air at a temperature of 20 °C and atmospheric pressure of 1013 mbar (abs).

DIMENSIONS



Configuration with a vertical silencer is only available with the CK accessory kit; for all assembly options refer to FPZ.

Dimensions in mm

NOT Binding

a	b	b1	c	c1	d	d1	e	f	G	l	l1	l2	m				
424	574	304	270	516	220	-	390	340	G 4"	182	-	-	18				
n	n1	o	o1	p1	p2	q	r	r1	s	s1	t	u	v	w	x	z	z1
520	40	600	430	802	-	25	128	-	25	12	13	400	-	-	-	16	45

INSTALLATION

- For proper operation of the machine, it must be provided with a suction FILTER and a vacuum/pressure limiting VALVE.
- Other accessories are available on request.
- Permissible ambient and fluid temperature in suction from -15 °C to +40 °C.
- Read the instruction manual carefully before installing the machine.

SIDE CHANNEL BLOWER • VERSION IE3

K08TS GOR/GVR

Technical characteristics

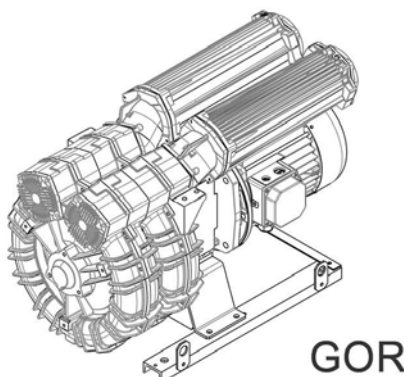
- Aluminium alloy construction
- Smooth operation
- Maintenance free

Electric motor

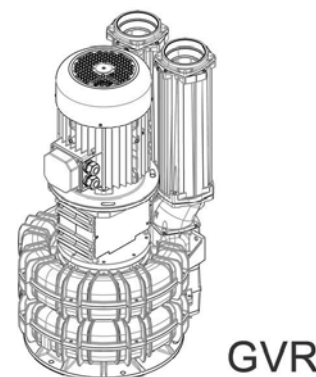
- Motors with IP55 protection rating
- Class F(B) insulation

Options

- Special voltages (IEC 60038)
- Surface treatments
- Increased seal version
- VFD compatible motor
- PTO/PTC thermal protector



GOR



GVR

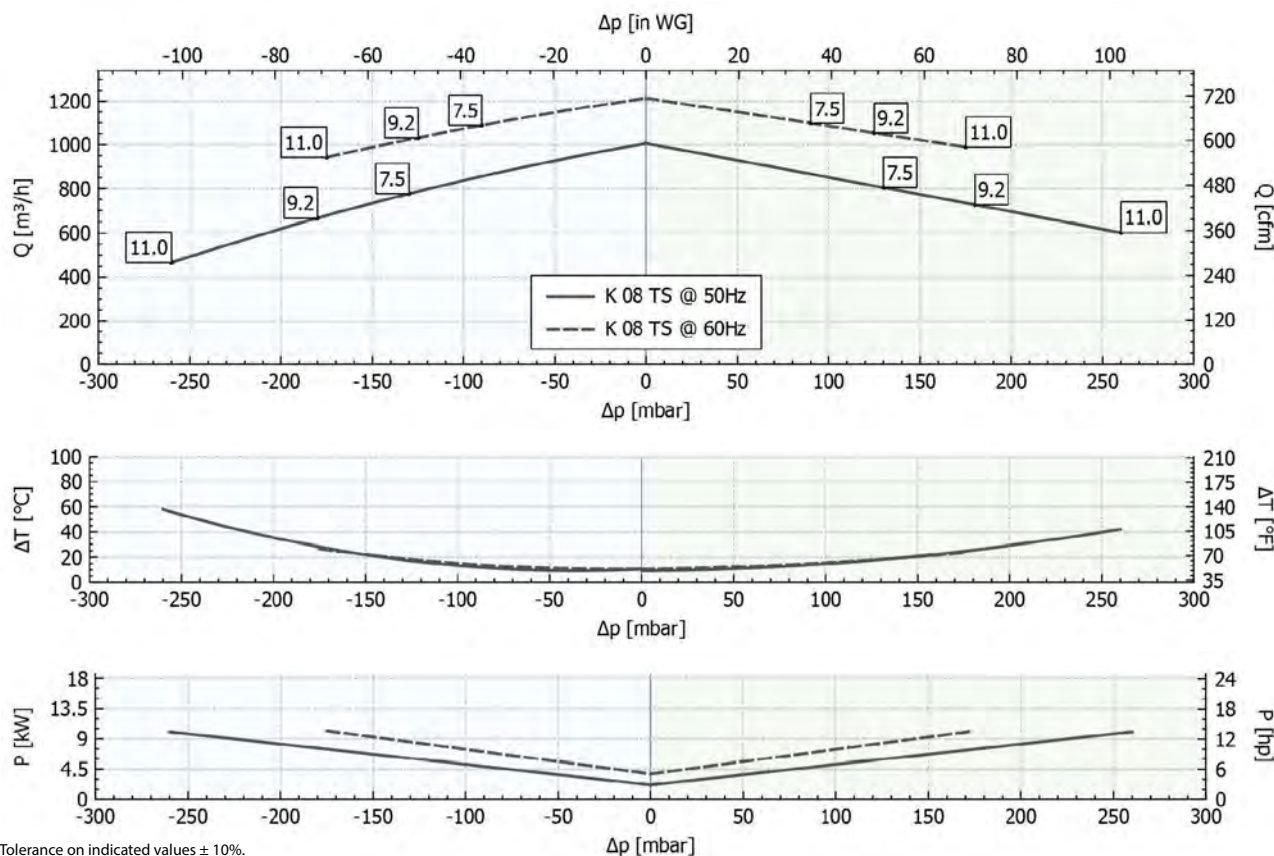
PERFORMANCE TABLE

P _n [kW]	Frequency [Hz]	Δp _{max} [mbar]		Q _{max} [m ³ /h]	Leq ¹ [dB(A)]	Weight [kg] GOR / GVR	H ³ [mm]
		Suction	Compression				
7.5	50	130	130	1006	78.9	137.5 / 128.5	839
7.5	60	90	90	1214	80.9	137.5 / 128.5	839
9.2	50	180	180	1006	78.9	143.5 / 134.5	877
9.2	60	125	125	1214	80.9	143.5 / 134.5	877
11	50	260	260	1006	78.9	147.5 / 138.5	877
11	60	175	175	1214	80.9	147.5 / 138.5	877

1. Noise level measured at a distance of 1 m with ducted intake and delivery, in accordance with Standard ISO 3744.
2. See figure "dimensions" at following page.

SUCTION

COMPRESSION

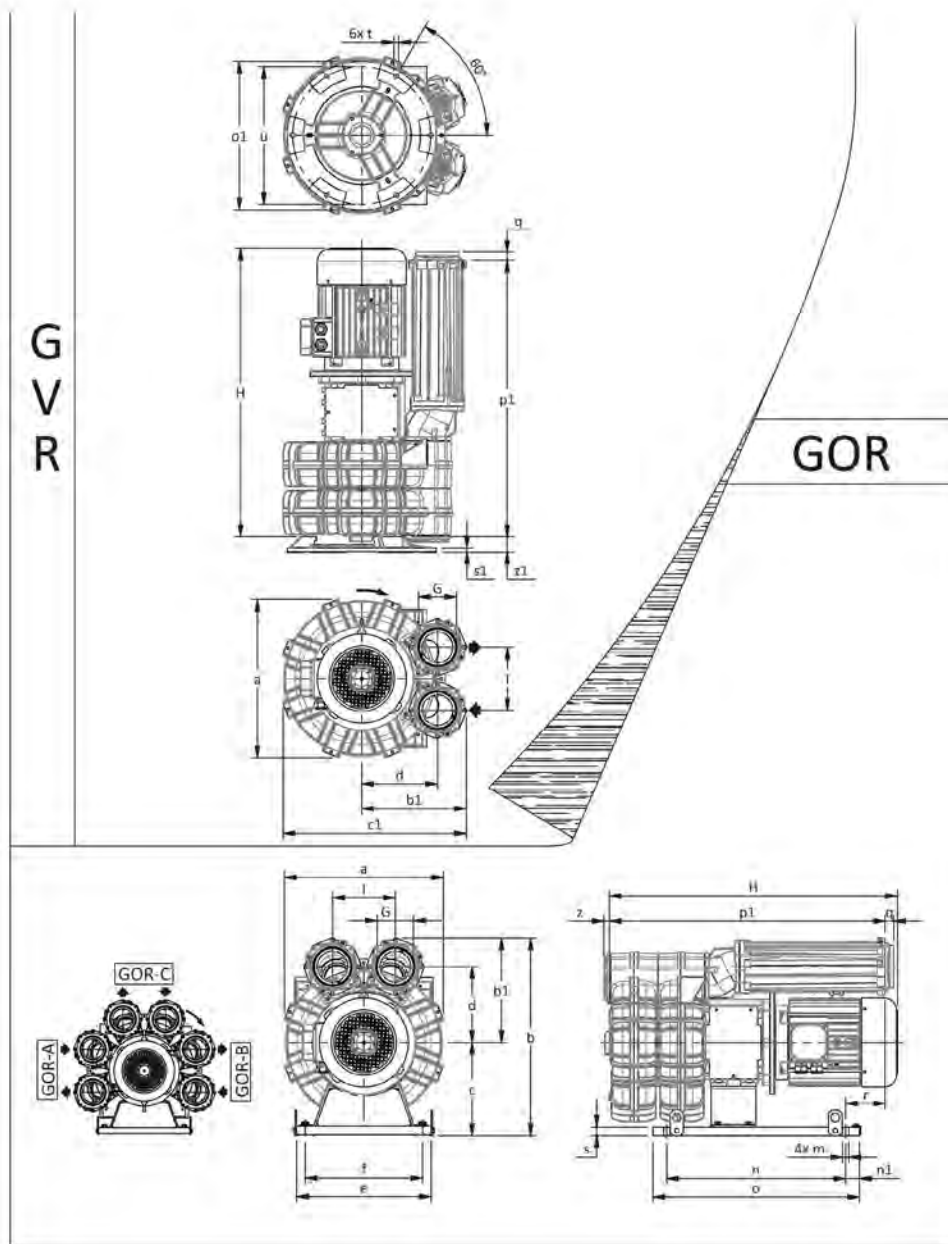


Tolerance on indicated values ± 10%.

Data subject to change without notice.

Curves referring to air at a temperature of 20 °C and atmospheric pressure of 1013 mbar (abs).

DIMENSIONS



Configuration with a vertical silencer is only available with the CK accessory kit; for all assembly options refer to FPZ.

Dimensions in mm

NOT Binding

a	b	b1	c	c1	d	d1	e	f	G	l	l1	l2	m				
457	574	304	270	533	220	-	390	340	G 4"	182	-	-	18				
n	n1	o	o1	p1	p2	q	r	r1	s	s1	t	u	v	w	x	z	z1
520	40	600	430	802	-	25	128	-	25	12	13	400	-	-	-	16	45

INSTALLATION

- For proper operation of the machine, it must be provided with a suction FILTER and a vacuum/pressure limiting VALVE.
- Other accessories are available on request.
- Permissible ambient and fluid temperature in suction from -15 °C to +40 °C.
- Read the instruction manual carefully before installing the machine.

SIDE CHANNEL BLOWER • VERSION IE3

K09TS GOR/GVR

Technical characteristics

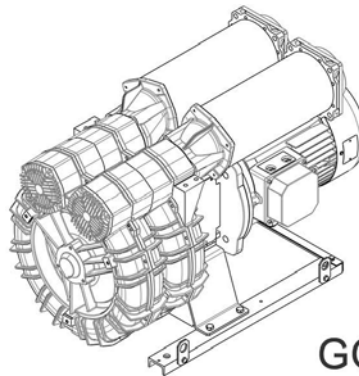
- Aluminium alloy construction
- Smooth operation
- Maintenance free

Electric motor

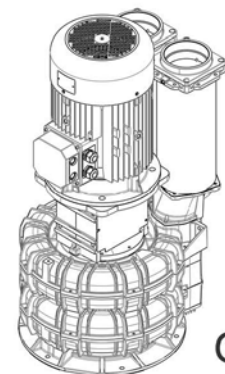
- Motors with IP55 protection rating
- Class F(B) insulation

Options

- Special voltages (IEC 60038)
- Surface treatments
- Increased seal version
- VFD compatible motor
- PTO/PTC thermal protector



GOR



GVR

PERFORMANCE TABLE

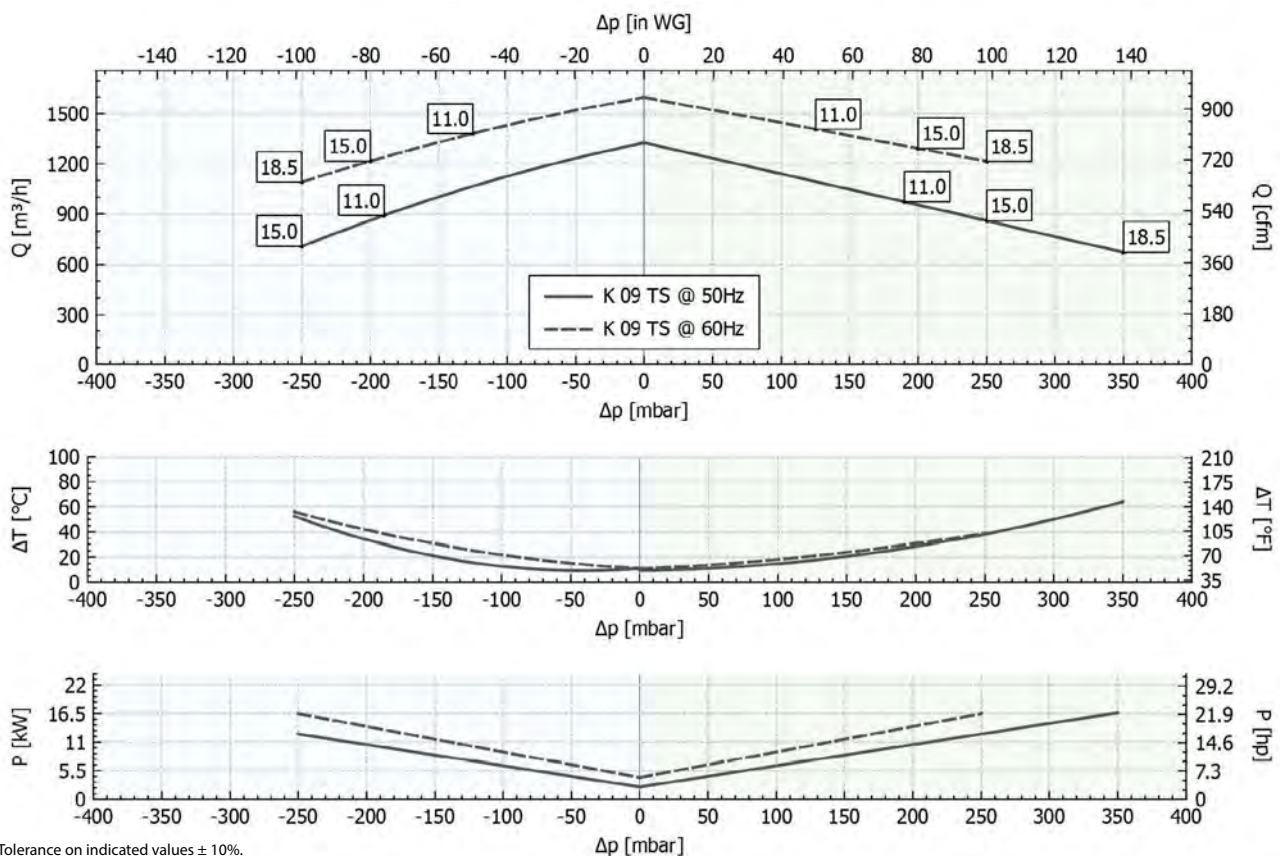
P _n [kW]	Frequency [Hz]	Δp _{max} [mbar]		Q _{max} [m ³ /h]	Leq ¹ [dB(A)]	Weight [kg] GOR / GVR	H ³ [mm]
		Suction	Compression				
11	50	190	190	1325	80.1	173.5 / 160.7	909
11	60	125	125	1599	82.1	173.5 / 160.7	909
15	50	250	250	1325	80.1	212.5 / 198.5	1014
15	60	200	200	1599	82.1	212.5 / 198.5	1014
18.5	50	-	350	1325	80.1	281.0 / 267.0	1058
18.5	60	250	250	1599	82.1	281.0 / 267.0	1058

1. Noise level measured at a distance of 1 m with ducted intake and delivery, in accordance with Standard ISO 3744.

2. See figure "dimensions" at following page.

SUCTION

COMPRESSION

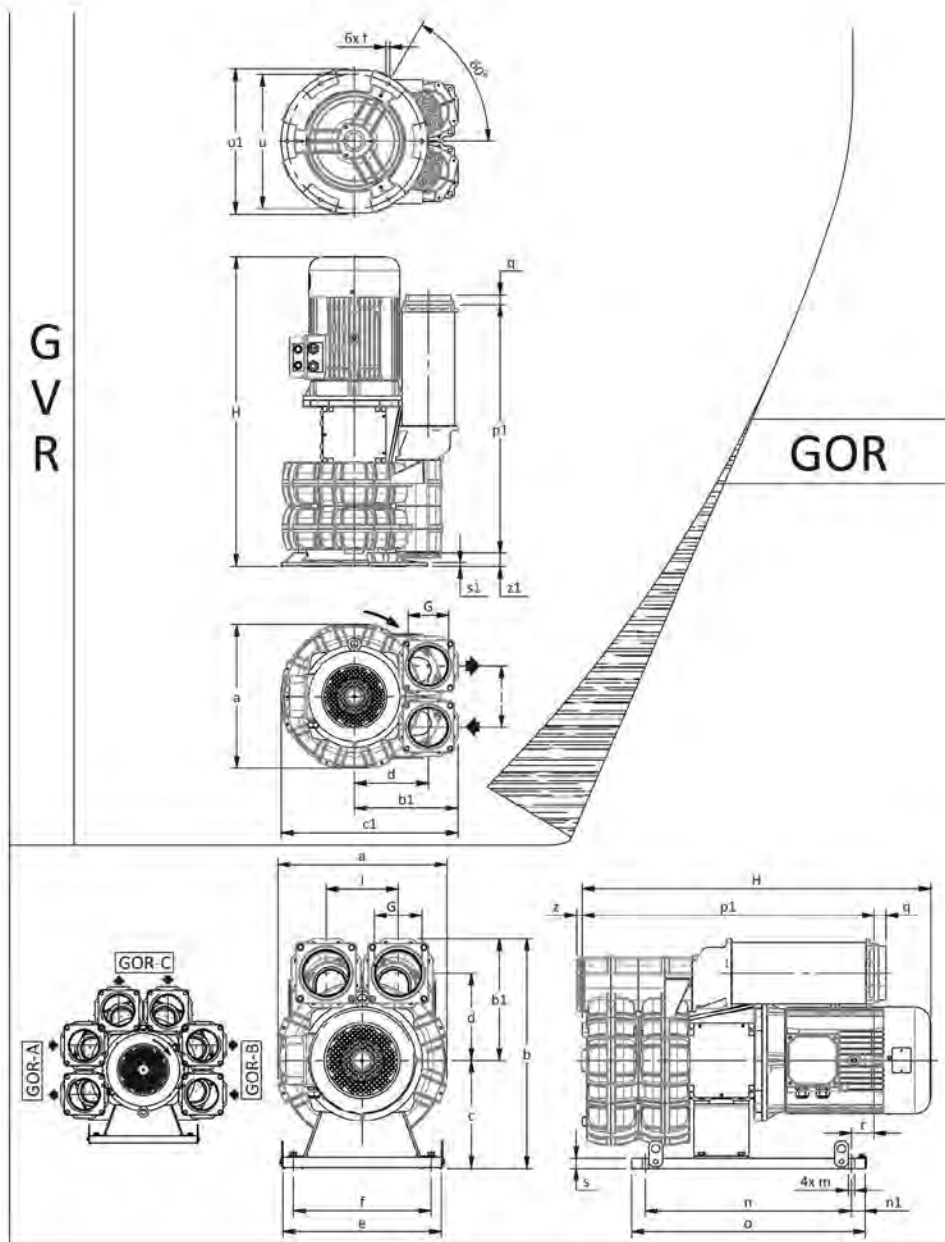


Tolerance on indicated values $\pm 10\%$.

Data subject to change without notice.

Curves referring to air at a temperature of 20 $^{\circ}C$ and atmospheric pressure of 1013 mbar (abs).

DIMENSIONS



Configuration with a vertical silencer is only available with the CK accessory kit; for all assembly options refer to FPZ.

Dimensions in mm

NOT Binding

a	b	b1	c	c1	d	d1	e	f	G	l	l1	l2	m				
492	700	385	315	631	283	-	460	400	G 5"	235	-	-	18				
n	n1	o	o1	p1	p2	q	r	r1	s	s1	t	u	v	w	x	z	z1
600	40	680	500	858	-	35	75	-	30	12	13	460	-	-	-	16	45

INSTALLATION

- For proper operation of the machine, it must be provided with a suction FILTER and a vacuum/pressure limiting VALVE.
- Other accessories are available on request.
- Permissible ambient and fluid temperature in suction from -15 °C to +40 °C.
- Read the instruction manual carefully before installing the machine.

SIDE CHANNEL BLOWER • VERSION IE3

K10TS GOR/GVR

Technical characteristics

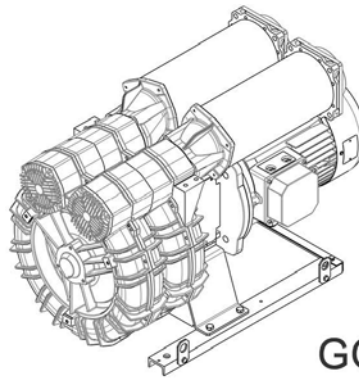
- Aluminium alloy construction
- Smooth operation
- Maintenance free

Electric motor

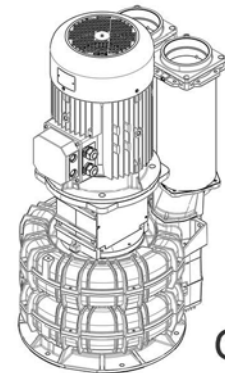
- Motors with IP55 protection rating
- Class F(B) insulation

Options

- Special voltages (IEC 60038)
- Surface treatments
- Increased seal version
- VFD compatible motor
- PTO/PTC thermal protector



GOR



GVR

PERFORMANCE TABLE

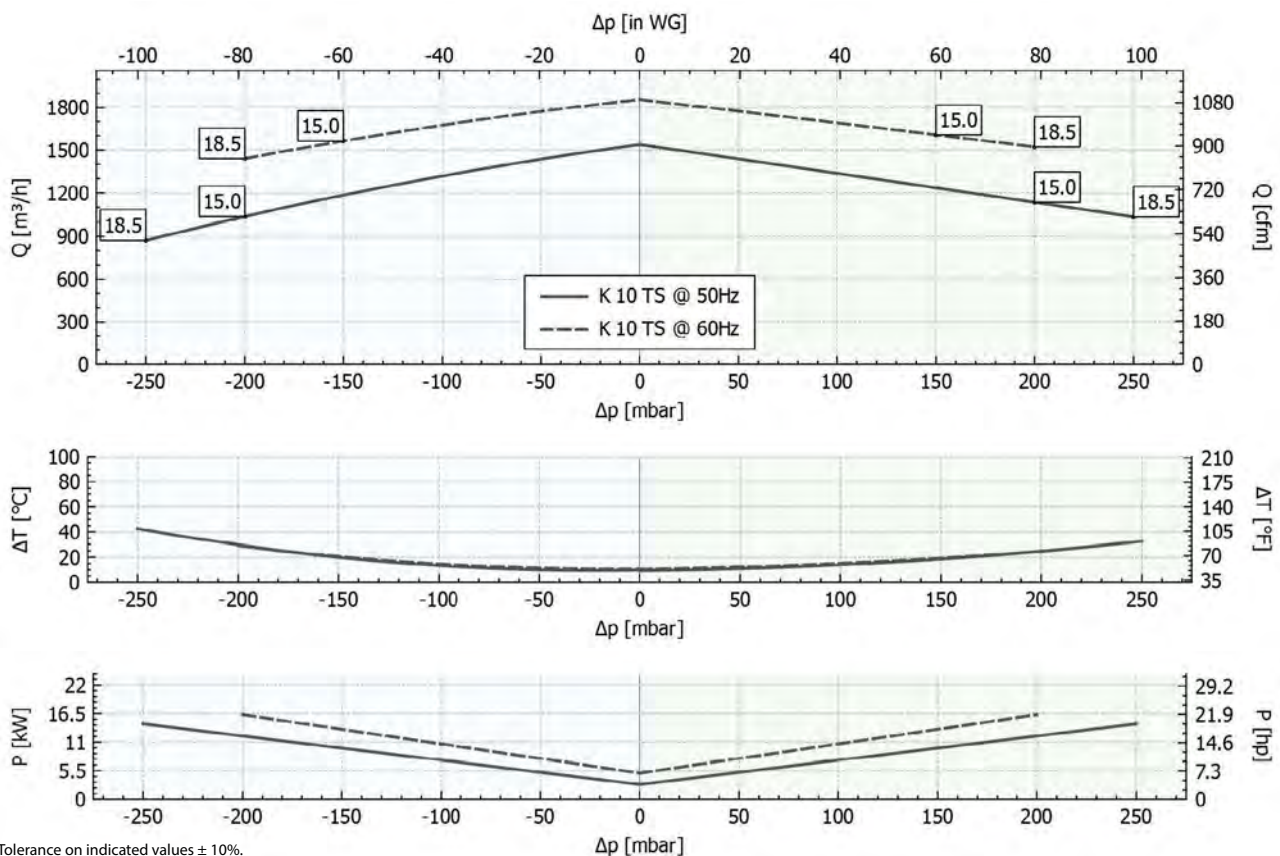
P _n [kW]	Frequency [Hz]	Δp _{max} [mbar]		Q _{max} [m ³ /h]	Leq ¹ [dB(A)]	Weight [kg] GOR / GVR	H ³ [mm]
		Suction	Compression				
15	50	200	200	1539	87.1	216.0 / 202.0	1014
15	60	150	150	1857	89.1	216.0 / 202.0	1014
18.5	50	250	250	1539	87.1	284.5 / 270.5	1058
18.5	60	200	200	1857	89.1	284.5 / 270.5	1058

1. Noise level measured at a distance of 1 m with ducted intake and delivery, in accordance with Standard ISO 3744.

2. See figure "dimensions" at following page.

SUCTION

COMPRESSION

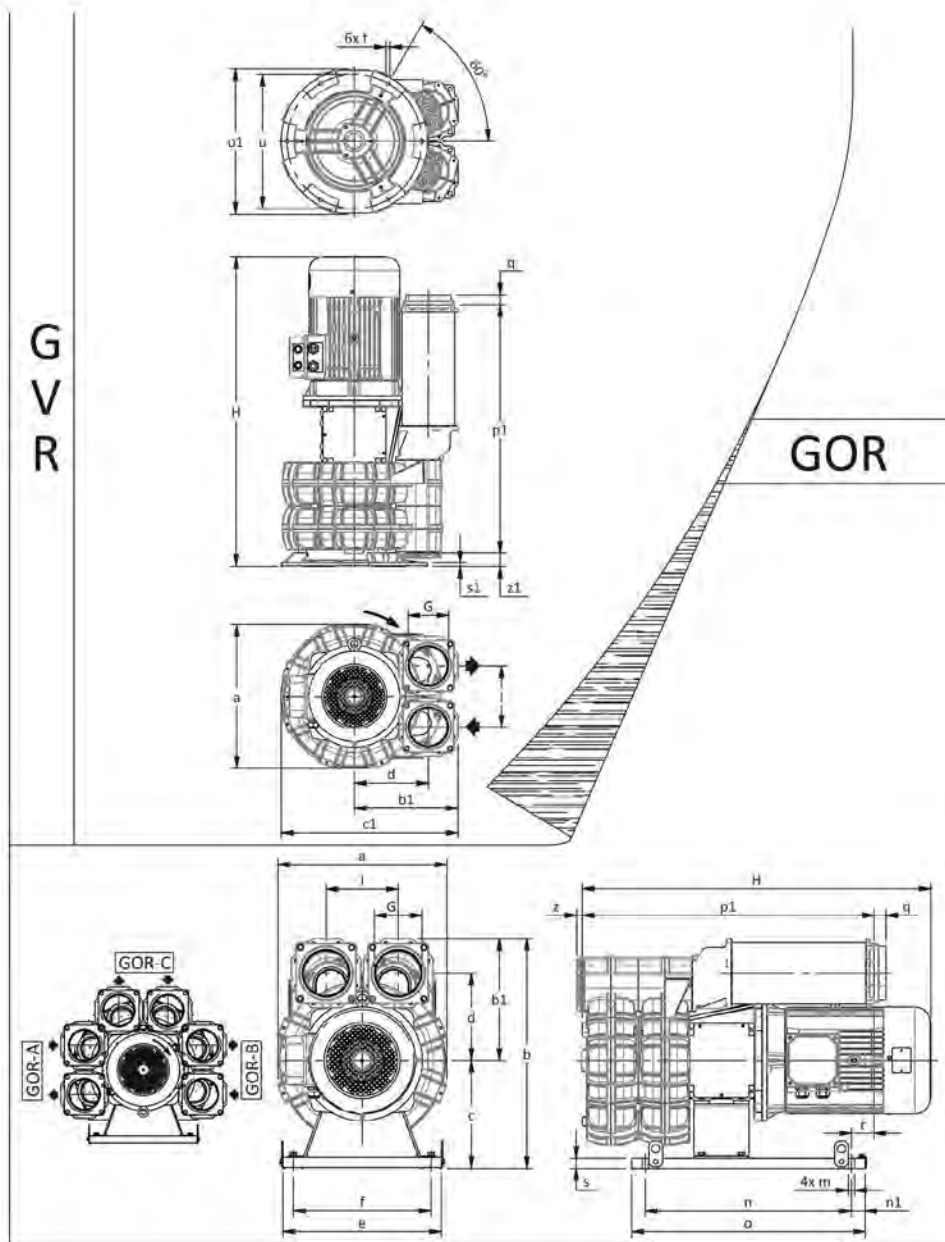


Tolerance on indicated values ± 10%.

Data subject to change without notice.

Curves referring to air at a temperature of 20 °C and atmospheric pressure of 1013 mbar (abs).

DIMENSIONS



Configuration with a vertical silencer is only available with the CK accessory kit; for all assembly options refer to FPZ.

Dimensions in mm
NOT Binding

a	b	b1	c	c1	d	d1	e	f	G	l	l1	l2	m				
516	700	385	315	643	283	-	460	400	G 5"	235	-	-	18				
n	n1	o	o1	p1	p2	q	r	r1	s	s1	t	u	v	w	x	z	z1
600	40	680	500	858	-	35	75	-	30	12	13	460	-	-	-	16	45

INSTALLATION

- For proper operation of the machine, it must be provided with a suction FILTER and a vacuum/pressure limiting VALVE.
- Other accessories are available on request.
- Permissible ambient and fluid temperature in suction from -15 °C to +40 °C.
- Read the instruction manual carefully before installing the machine.

SIDE CHANNEL BLOWER • VERSION IE3
K11TS GOR/GVR
Technical characteristics

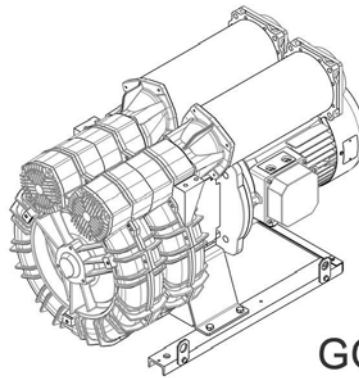
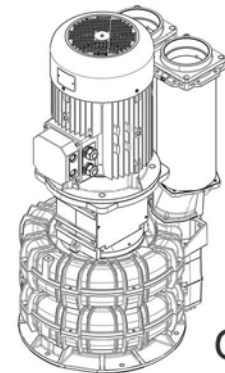
- Aluminium alloy construction
- Smooth operation
- Maintenance free

Electric motor

- Motors with IP55 protection rating
- Class F(B) insulation

Options

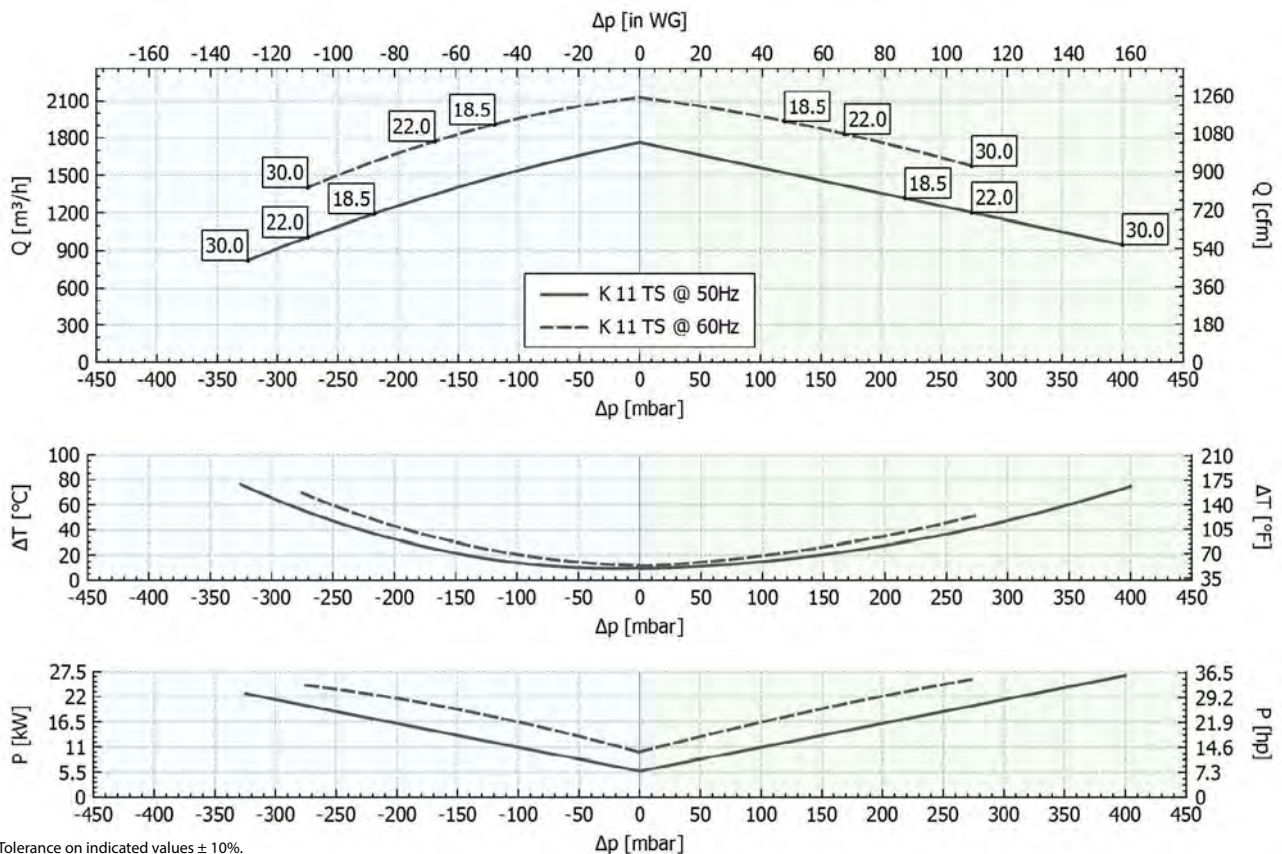
- Special voltages (IEC 60038)
- Surface treatments
- Increased seal version
- VFD compatible motor
- PTO/PTC thermal protector


GOR

GVR
PERFORMANCE TABLE

P _n [kW]	Frequency [Hz]	Δ p _{max} [mbar]		Q _{max} [m ³ /h]	Leq ¹ [dB(A)]	Weight [kg] GOR / GVR	H ³ [mm]
		Suction	Compression				
18.5	50	220	220	1764	87.3	298.0 / 284.0	1073
18.5	60	120	120	2129	90	298.0 / 284.0	1073
22	50	275	275	1764	87.3	325.0 / 311.0	1114
22	60	170	170	2129	90	325.0 / 311.0	1114
30	50	325	400	1764	87.3	386.0 / 372.0	1219
30	60	275	275	2129	90	386.0 / 372.0	1219

1. Noise level measured at a distance of 1 m with ducted intake and delivery, in accordance with Standard ISO 3744.

2. See figure "dimensions" at following page.

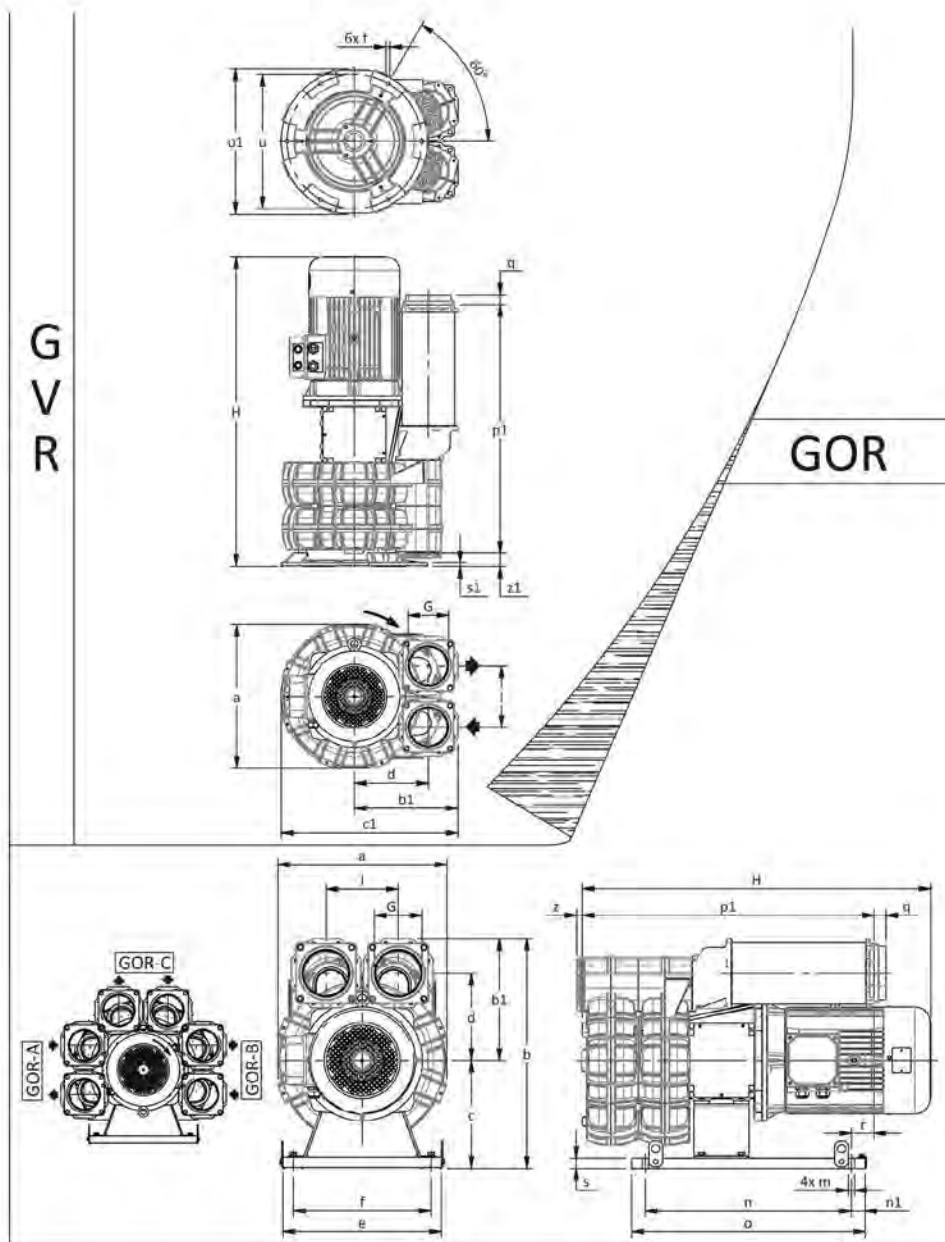
SUCTION
COMPRESSION


Tolerance on indicated values $\pm 10\%$.

Data subject to change without notice.

Curves referring to air at a temperature of 20 °C and atmospheric pressure of 1013 mbar (abs).

DIMENSIONS



Configuration with a vertical silencer is only available with the CK accessory kit; for all assembly options refer to FPZ.
 Dimensions in mm
 NOT Binding

a	b	b1	c	c1	d	d1	e	f	G	l	l1	l2	m				
542	720	405	315	676	305	-	460	400	G 5"	252	-	-	18				
n	n1	o	o1	p1	p2	q	r	r1	s	s1	t	u	v	w	x	z	z1
600	40	680	500	878	-	35	80	-	30	12	13	460	-	-	-	16	45

INSTALLATION

- For proper operation of the machine, it must be provided with a suction FILTER and a vacuum/pressure limiting VALVE.
- Other accessories are available on request.
- Permissible ambient and fluid temperature in suction from -15 °C to +40 °C.
- Read the instruction manual carefully before installing the machine.

SIDE CHANNEL BLOWER • VERSION IE3

K12TS GOR/GVR

Technical characteristics

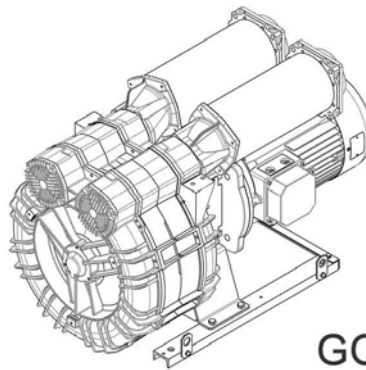
- Aluminium alloy construction
- Smooth operation
- Maintenance free

Electric motor

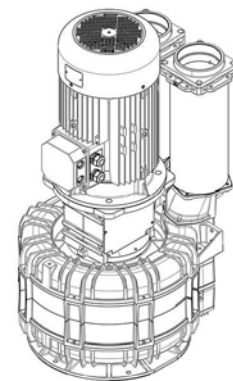
- Motors with IP55 protection rating
- Class F(B) insulation

Options

- Special voltages (IEC 60038)
- Surface treatments
- Increased seal version
- VFD compatible motor
- PTO/PTC thermal protector



GOR



GVR

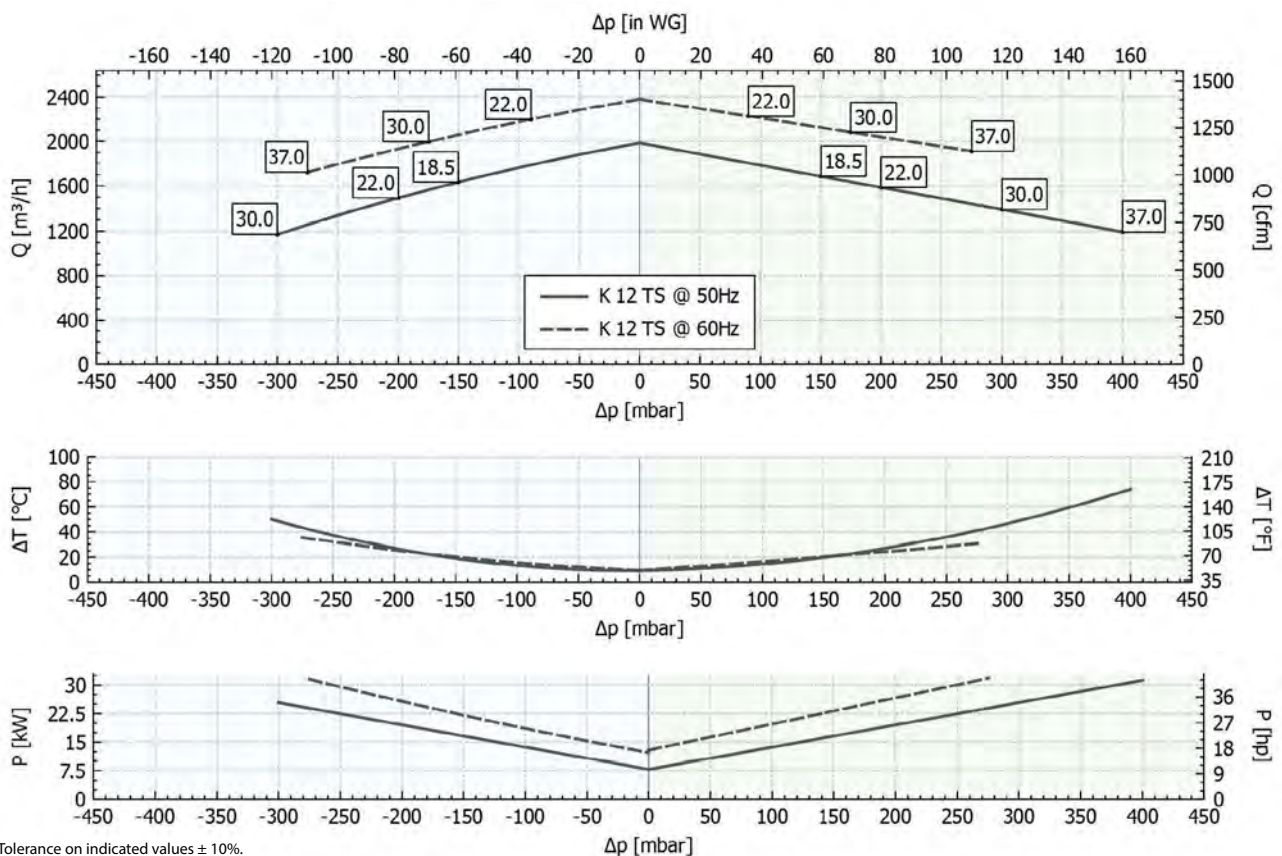
PERFORMANCE TABLE

P _n [kW]	Frequency [Hz]	Δp _{max} [mbar]		Q _{max} [m ³ /h]	Leq ¹ [dB(A)]	Weight [kg] GOR / GVR	H ³ [mm]
		Suction	Compression				
18.5	50	150	150	1985	89.3	298.0 / 284.0	1076
22	50	200	200	1985	89.3	325.0 / 311.0	1117
22	60	90	90	2382	91.3	325.0 / 311.0	1117
30	50	300	300	1985	89.3	386.0 / 372.0	1222
30	60	175	175	2382	91.3	409.0 / 395.0	1222
37	50	-	400	1985	89.3	409.0 / 395.0	1222
37	60	275	275	2382	91.3	409.0 / 395.0	1222

1. Noise level measured at a distance of 1 m with ducted intake and delivery, in accordance with Standard ISO 3744.
2. See figure "dimensions" at following page.

SUCTION

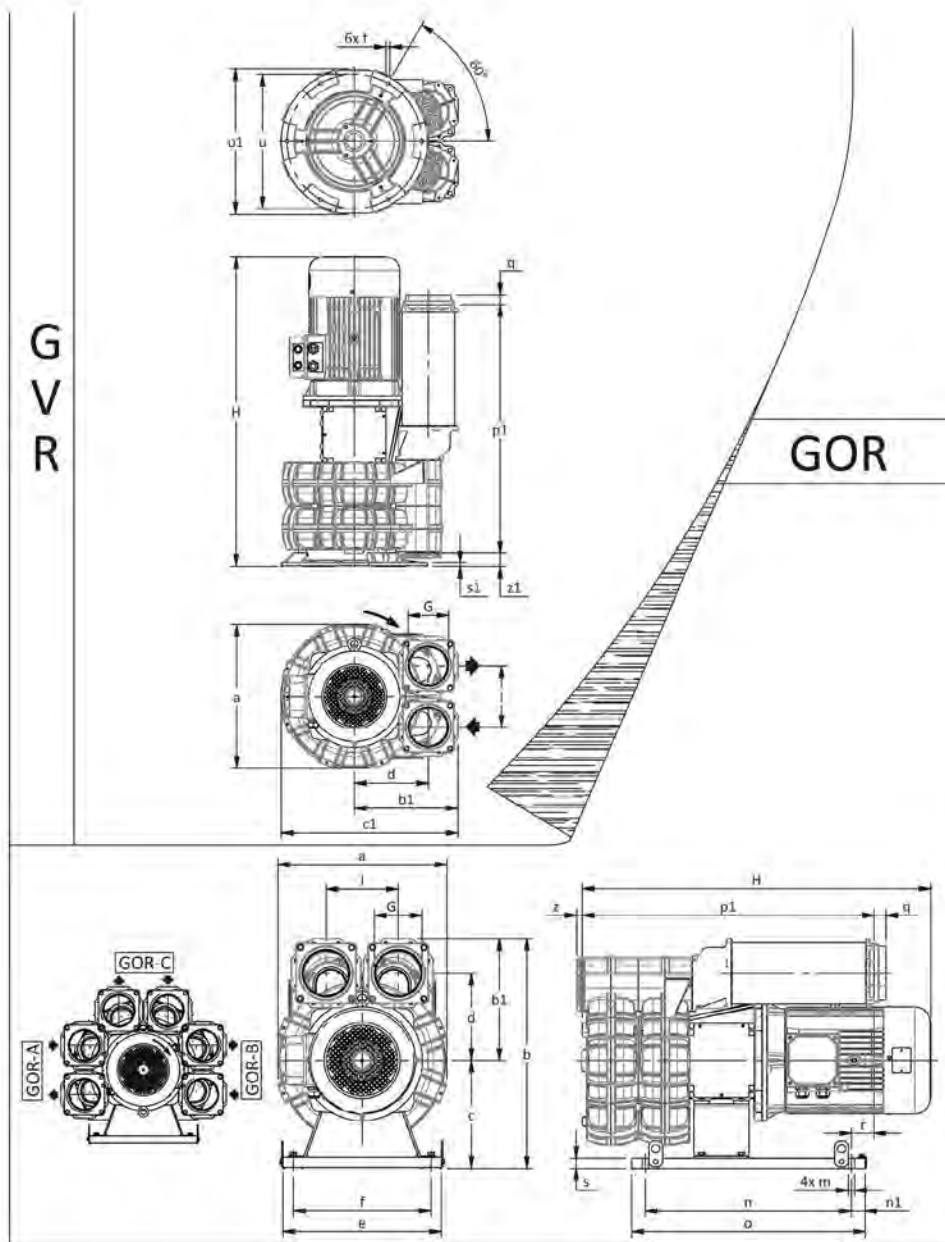
COMPRESSION



Tolerance on indicated values $\pm 10\%$.
 Data subject to change without notice.

Curves referring to air at a temperature of 20 °C and atmospheric pressure of 1013 mbar (abs).

DIMENSIONS



Configuration with a vertical silencer is only available with the CK accessory kit; for all assembly options refer to FPZ.

Dimensions in mm

NOT Binding

a	b	b1	c	c1	d	d1	e	f	G	l	l1	l2	m				
548	720	405	315	679	305	-	460	400	G 5"	252	-	-	18				
n	n1	o	o1	p1	p2	q	r	r1	s	s1	t	u	v	w	x	z	z1
600	40	680	500	881	-	35	80	-	30	12	13	460	-	-	-	16	45

INSTALLATION

- For proper operation of the machine, it must be provided with a suction FILTER and a vacuum/pressure limiting VALVE.
- Other accessories are available on request.
- Permissible ambient and fluid temperature in suction from -15 °C to +40 °C.
- Read the instruction manual carefully before installing the machine.

SIDE CHANNEL BLOWER • VERSION IE3

K04TD GOR

Technical characteristics

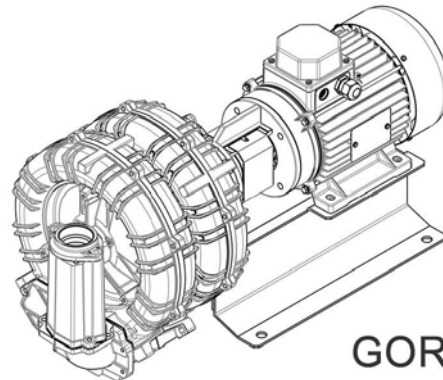
- Aluminium alloy construction
- Smooth operation
- Maintenance free

Electric motor

- Motors with IP55 protection rating
- Class F(B) insulation

Options

- Special voltages (IEC 60038)
- Surface treatments
- Increased seal version
- VFD compatible motor
- PTO/PTC thermal protector



GOR

PERFORMANCE TABLE

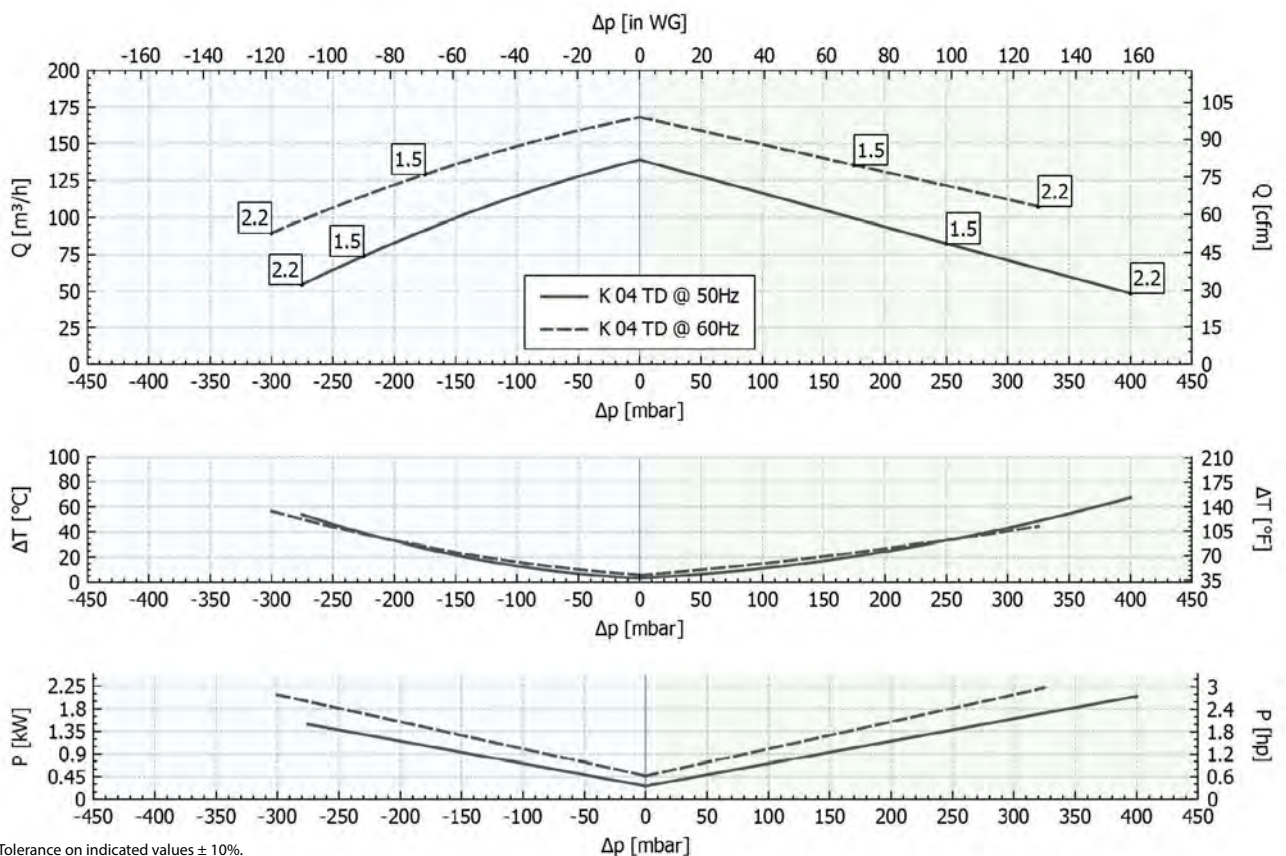
P _n [kW]	Frequency [Hz]	Δp _{max} [mbar]		Q _{max} [m ³ /h]	Leq ¹ [dB(A)]	Weight [kg]	H ³ [mm]
		Suction	Compression				
1.5	50	225	250	139	67.6	33.5	587
1.5	60	175	175	168	69.6	33.5	587
2.2	50	275	400	139	67.6	35.5	612
2.2	60	300	325	168	69.6	35.5	612

1. Noise level measured at a distance of 1 m with ducted intake and delivery, in accordance with Standard ISO 3744.

2. See figure "dimensions" at following page.

SUCTION

COMPRESSION

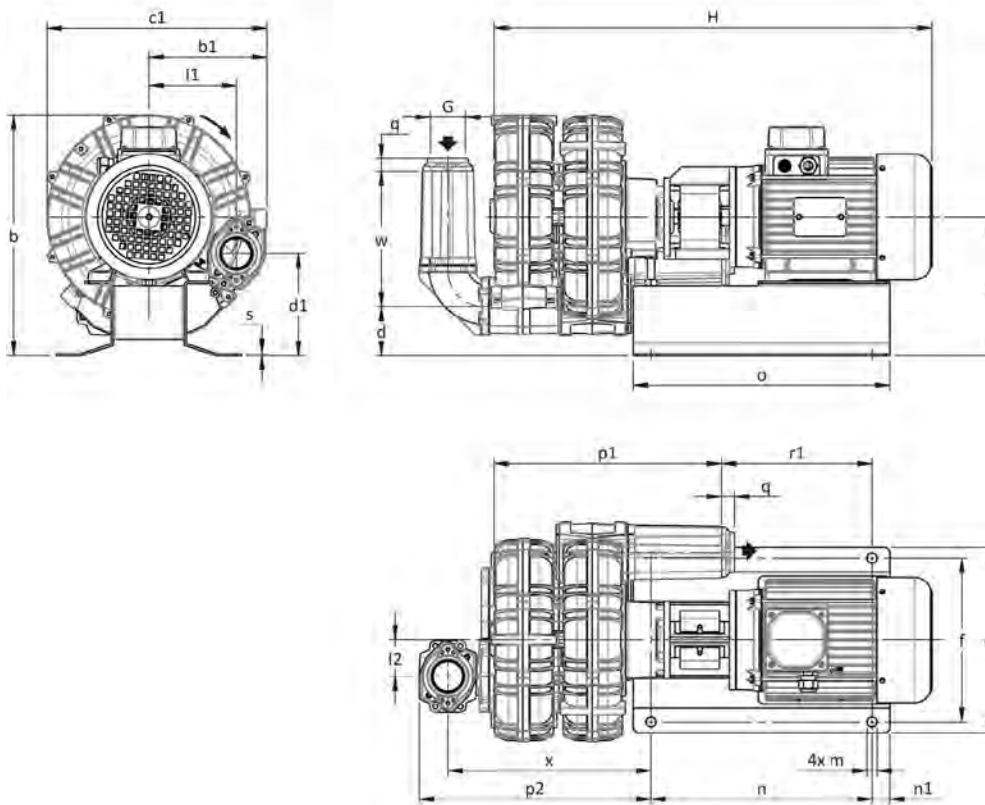


Tolerance on indicated values $\pm 10\%$.

Data subject to change without notice.

Curves referring to air at a temperature of 20 $^{\circ}C$ and atmospheric pressure of 1013 mbar (abs).

DIMENSIONS



For all assembly options refer to FPZ.
 Dimensions in mm
 NOT Binding

a	b	b1	c	c1	d	d1	e	f	G	l	l1	l2	m				
-	337	166	194	309	71	143	260	230	G 1" 1/2	-	123	51	14				
n	n1	o	o1	p1	p2	q	r	r1	s	s1	t	u	v	w	x	z	z1
310	25	360	-	315	325	18	-	215	3	-	-	-	-	187	285	-	-

INSTALLATION

- For proper operation of the machine, it must be provided with a suction FILTER and a vacuum/pressure limiting VALVE.
- Other accessories are available on request.
- Permissible ambient and fluid temperature in suction from -15 °C to +40 °C.
- Read the instruction manual carefully before installing the machine.

SIDE CHANNEL BLOWER • VERSION IE3

K05TD GOR

Technical characteristics

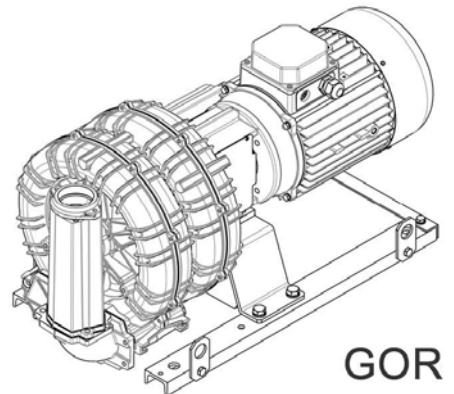
- Aluminium alloy construction
- Smooth operation
- Maintenance free

Electric motor

- Motors with IP55 protection rating
- Class F(B) insulation

Options

- Special voltages (IEC 60038)
- Surface treatments
- Increased seal version
- VFD compatible motor
- PTO/PTC thermal protector

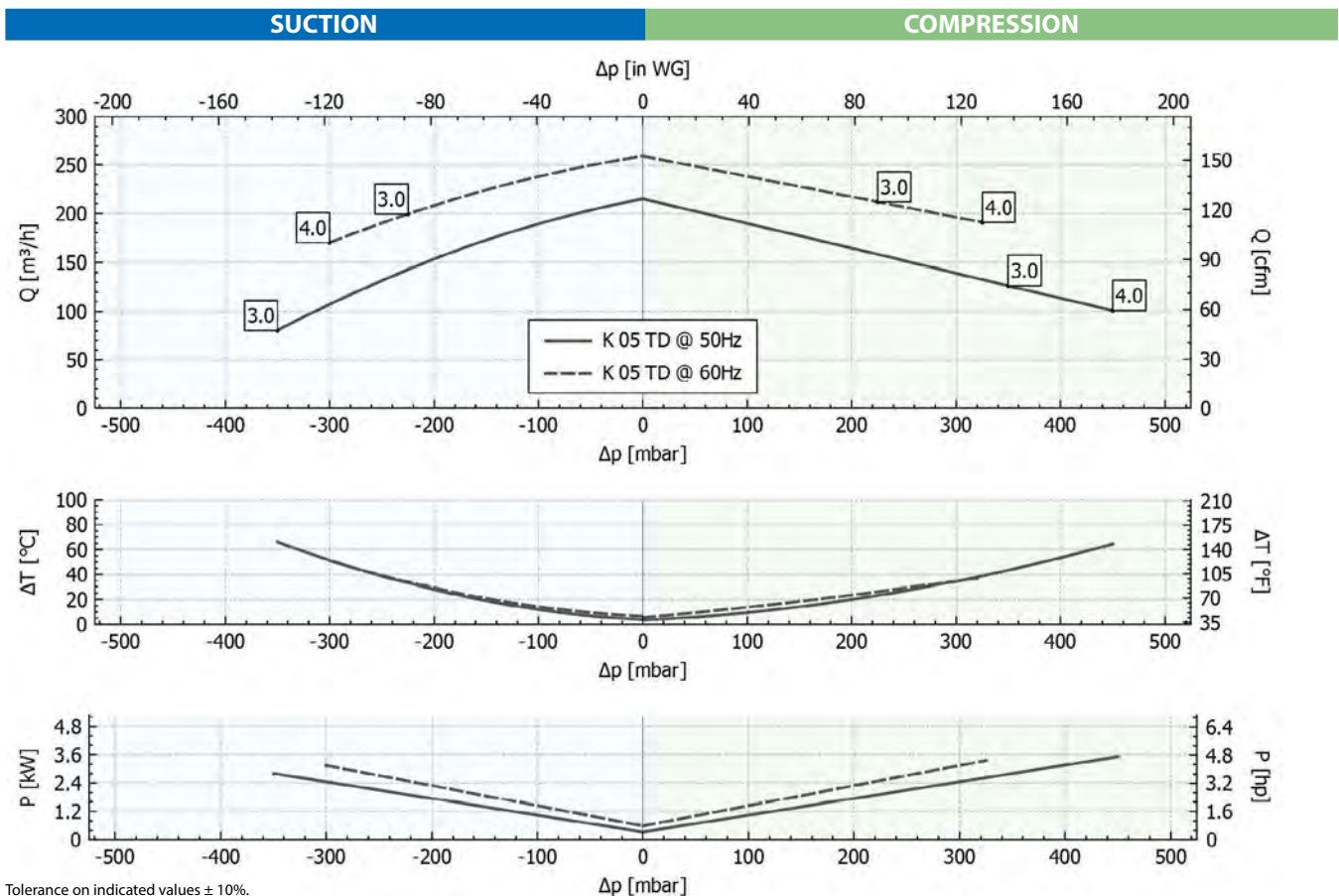


GOR

PERFORMANCE TABLE

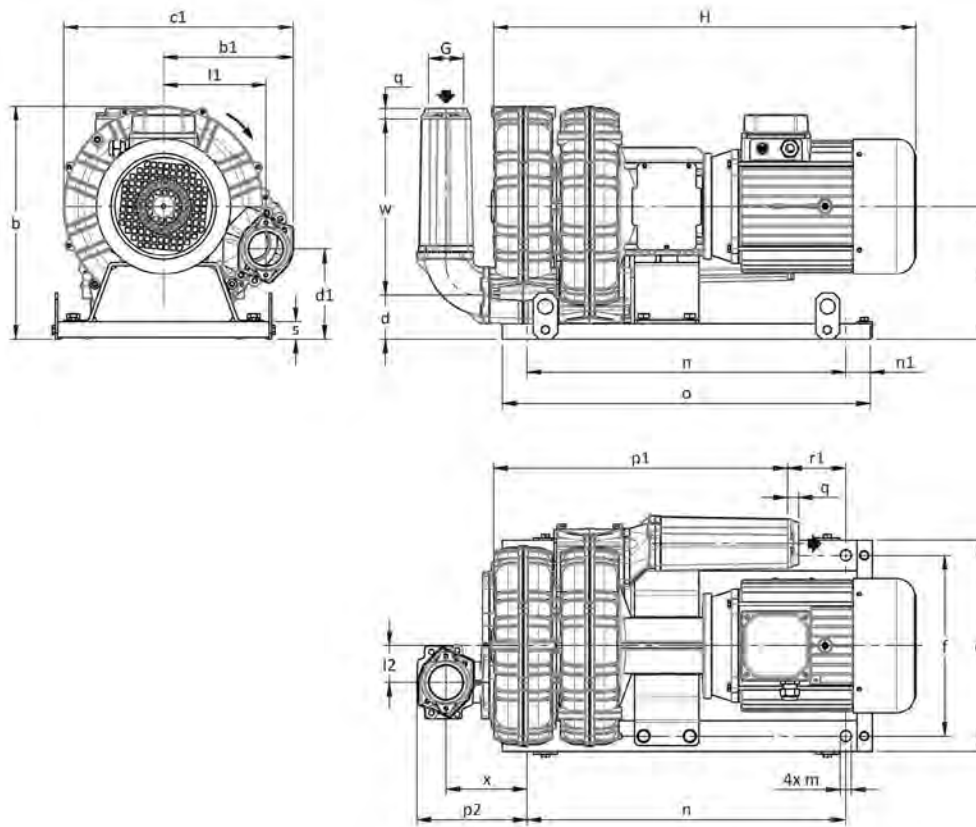
P _n [kW]	Frequency [Hz]	Δp _{max} [mbar]		Q _{max} [m ³ /h]	Leq ¹ [dB(A)]	Weight [kg]	H ³ [mm]
		Suction	Compression				
3	50	350	350	215	70.6	57.5	668
3	60	225	225	259	72.6	57.5	668
4	50	-	450	215	70.6	63.5	691
4	60	300	325	259	72.6	63.5	691

1. Noise level measured at a distance of 1 m with ducted intake and delivery, in accordance with Standard ISO 3744.
2. See figure "dimensions" at following page.



Tolerance on indicated values ± 10%.
 Data subject to change without notice.
 Curves referring to air at a temperature of 20 °C and atmospheric pressure of 1013 mbar (abs).

DIMENSIONS



For all assembly options refer to FPZ.
 Dimensions in mm
 NOT Binding

a	b	b1	c	c1	d	d1	e	f	G	l	l1	l2	m				
-	380	212	216	376	71	147	345	295	G 2"	-	167	60	18				
n	n1	o	o1	p1	p2	q	r	r1	s	s1	t	u	v	w	x	z	z1
520	40	600	-	479	180	18	-	96	25	-	-	-	-	286	132	-	-

INSTALLATION

- For proper operation of the machine, it must be provided with a suction FILTER and a vacuum/pressure limiting VALVE.
- Other accessories are available on request.
- Permissible ambient and fluid temperature in suction from -15 °C to +40 °C.
- Read the instruction manual carefully before installing the machine.

SIDE CHANNEL BLOWER • VERSION IE3

K06TD GOR

Technical characteristics

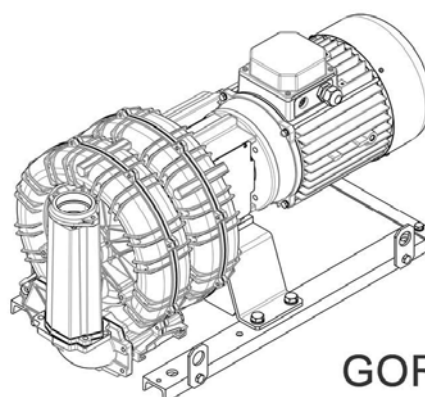
- Aluminium alloy construction
- Smooth operation
- Maintenance free

Electric motor

- Motors with IP55 protection rating
- Class F(B) insulation

Options

- Special voltages (IEC 60038)
- Surface treatments
- Increased seal version
- VFD compatible motor
- PTO/PTC thermal protector



GOR

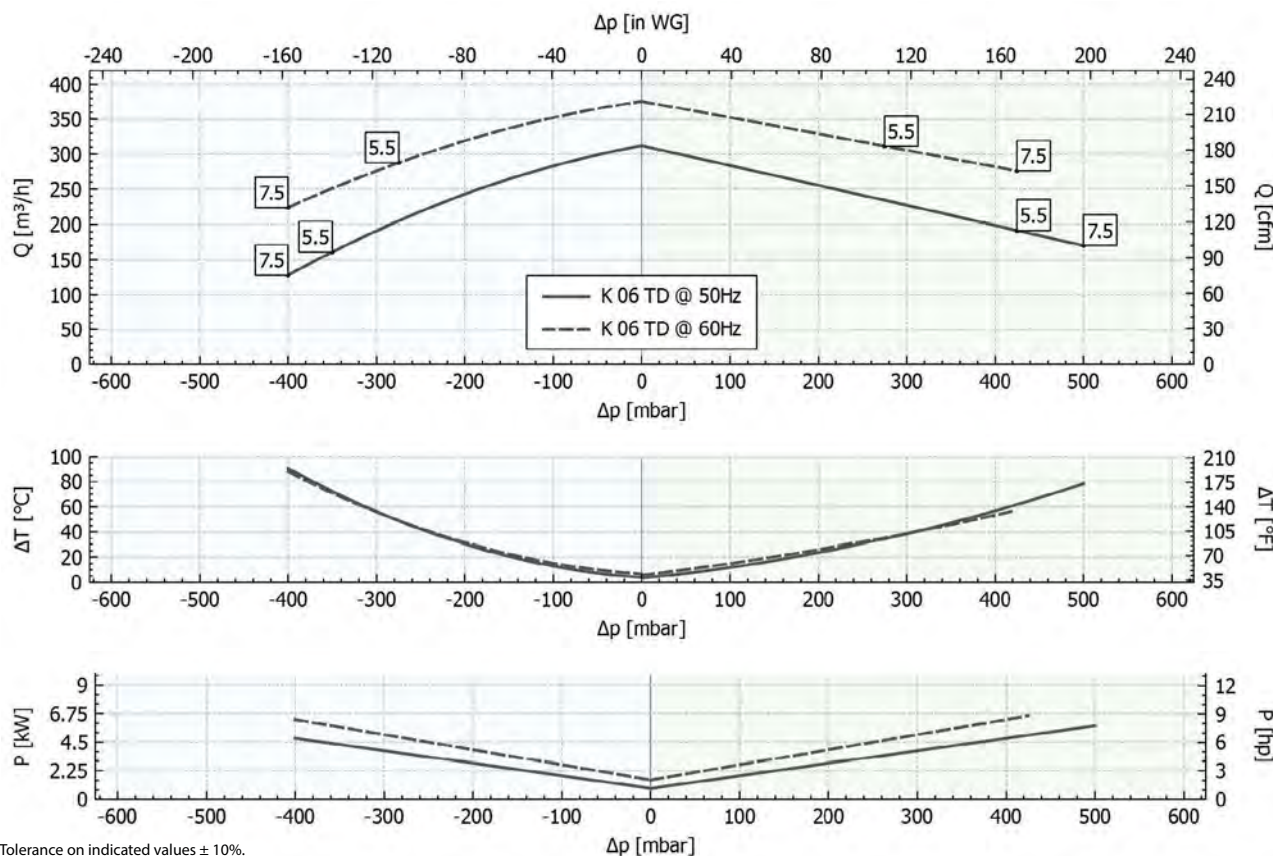
PERFORMANCE TABLE

P _n [kW]	Frequency [Hz]	Δp _{max} [mbar]		Q _{max} [m ³ /h]	Leq ¹ [dB(A)]	Weight [kg]	H ³ [mm]
		Suction	Compression				
5.5	50	350	425	312	72.6	75.0	715
5.5	60	275	275	376	74.6	75.0	715
7.5	50	400	500	312	72.6	91.5	771
7.5	60	400	425	376	74.6	91.5	771

1. Noise level measured at a distance of 1 m with ducted intake and delivery, in accordance with Standard ISO 3744.
2. See figure "dimensions" at following page.

SUCTION

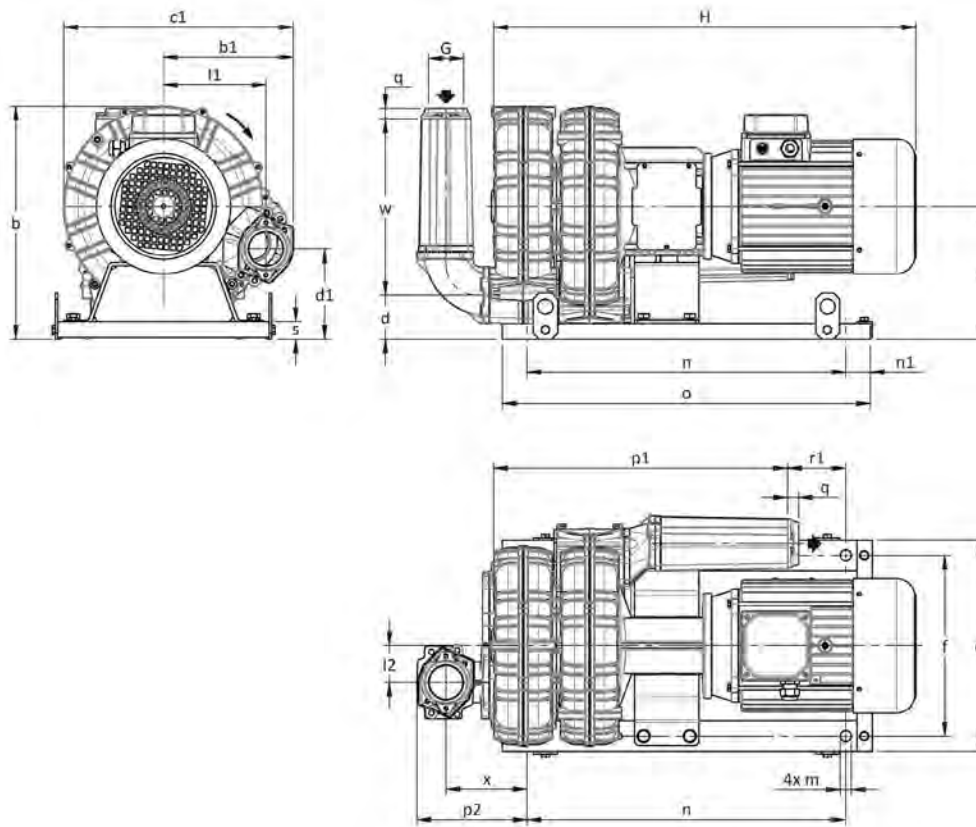
COMPRESSION



Tolerance on indicated values ± 10%.
 Data subject to change without notice.

Curves referring to air at a temperature of 20 °C and atmospheric pressure of 1013 mbar (abs).

DIMENSIONS



For all assembly options refer to FPZ.
 Dimensions in mm
 NOT Binding

a	b	b1	c	c1	d	d1	e	f	G	l	l1	l2	m				
-	404	218	216	406	65	144	345	295	G 2"	-	173	62	18				
n	n1	o	o1	p1	p2	q	r	r1	s	s1	t	u	v	w	x	z	z1
520	40	600	-	506	247	18	-	135	25	-	-	-	-	286	200	-	-

INSTALLATION

- For proper operation of the machine, it must be provided with a suction FILTER and a vacuum/pressure limiting VALVE.
- Other accessories are available on request.
- Permissible ambient and fluid temperature in suction from -15 °C to +40 °C.
- Read the instruction manual carefully before installing the machine.

SIDE CHANNEL BLOWER • VERSION IE3

K07TD GOR

Technical characteristics

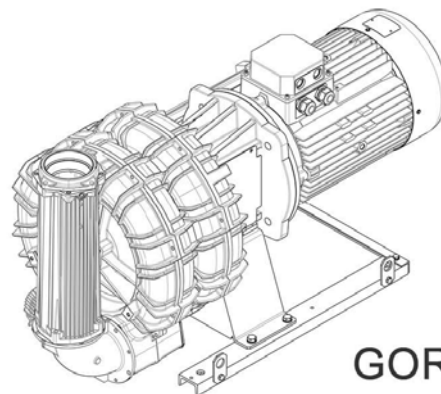
- Aluminium alloy construction
- Smooth operation
- Maintenance free

Electric motor

- Motors with IP55 protection rating
- Class F(B) insulation

Options

- Special voltages (IEC 60038)
- Surface treatments
- Increased seal version
- VFD compatible motor
- PTO/PTC thermal protector



GOR

PERFORMANCE TABLE

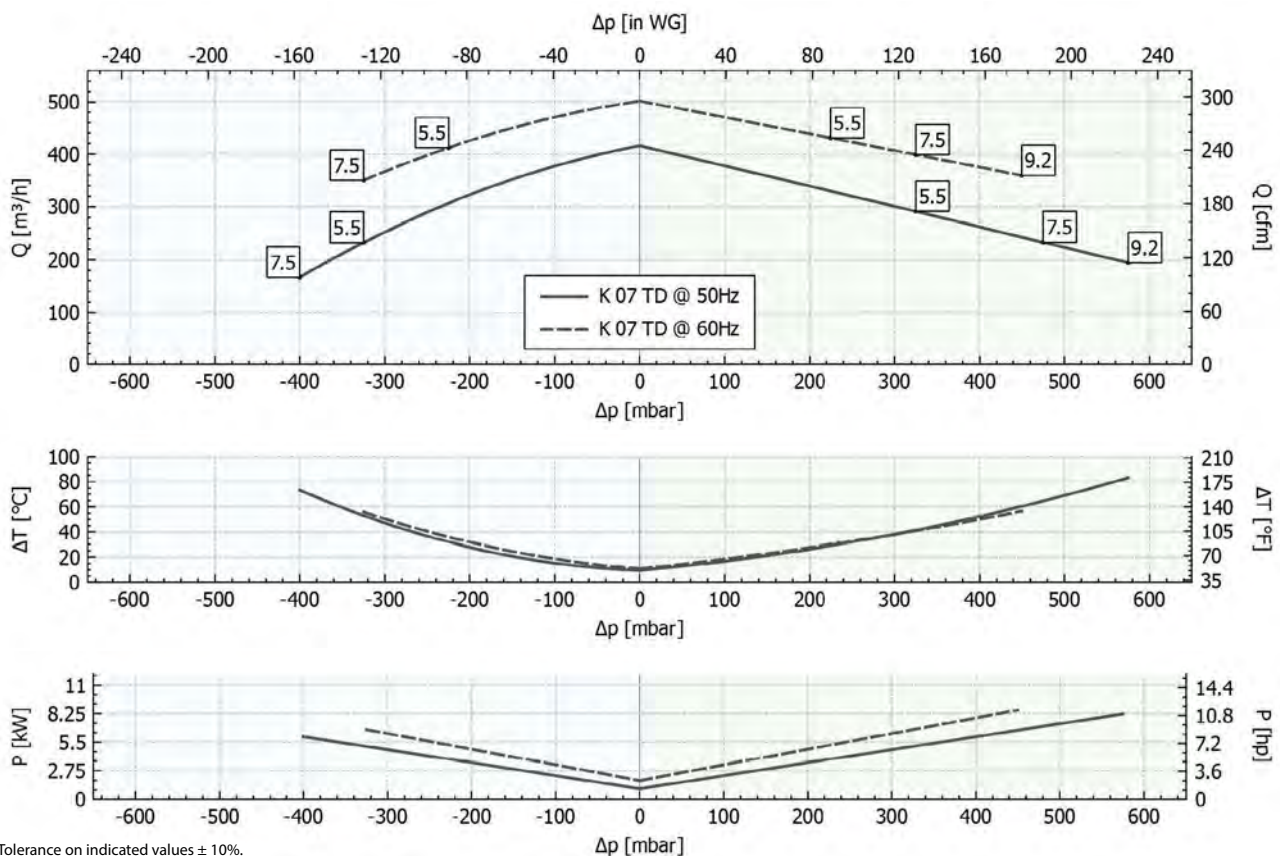
P _n [kW]	Frequency [Hz]	Δp _{max} [mbar]		Q _{max} [m ³ /h]	Leq ¹ [dB(A)]	Weight [kg]	H ³ [mm]
		Suction	Compression				
5.5	50	325	325	416	74.6	103.5	778
5.5	60	225	225	502	76.6	103.5	778
7.5	50	400	475	416	74.6	120.5	839
7.5	60	325	325	502	76.6	120.5	839
9.2	50	-	575	416	74.6	126.5	877
9.5	60	-	450	502	76.6	126.5	877

1. Noise level measured at a distance of 1 m with ducted intake and delivery, in accordance with Standard ISO 3744.

2. See figure "dimensions" at following page.

SUCTION

COMPRESSION

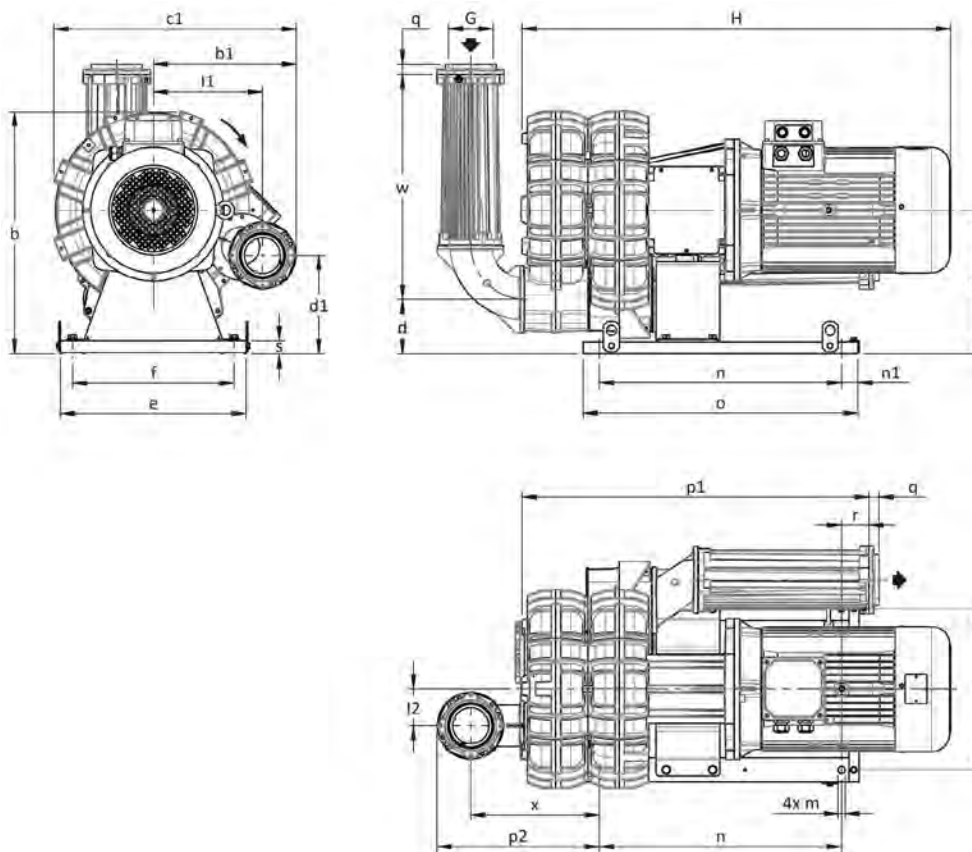


Tolerance on indicated values $\pm 10\%$.

Data subject to change without notice.

Curves referring to air at a temperature of 20 $^{\circ}C$ and atmospheric pressure of 1013 mbar (abs).

DIMENSIONS



For all assembly options refer to FPZ.
 Dimensions in mm
 NOT Binding

a	b	b1	c	c1	d	d1	e	f	G	l	l1	l2	m				
-	488	315	275	528	88	175	400	340	G 3"	-	243	77.5	18				
n	n1	o	o1	p1	p2	q	r	r1	s	s1	t	u	v	w	x	z	z1
520	40	600	-	750	346	25	64	-	30	-	-	-	-	481	274	-	-

INSTALLATION

- For proper operation of the machine, it must be provided with a suction FILTER and a vacuum/pressure limiting VALVE.
- Other accessories are available on request.
- Permissible ambient and fluid temperature in suction from -15 °C to +40 °C.
- Read the instruction manual carefully before installing the machine.

SIDE CHANNEL BLOWER • VERSION IE3

K08TD GOR

Technical characteristics

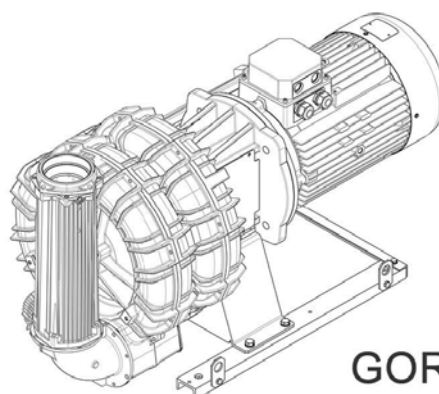
- Aluminium alloy construction
- Smooth operation
- Maintenance free

Electric motor

- Motors with IP55 protection rating
- Class F(B) insulation

Options

- Special voltages (IEC 60038)
- Surface treatments
- Increased seal version
- VFD compatible motor
- PTO/PTC thermal protector



GOR

PERFORMANCE TABLE

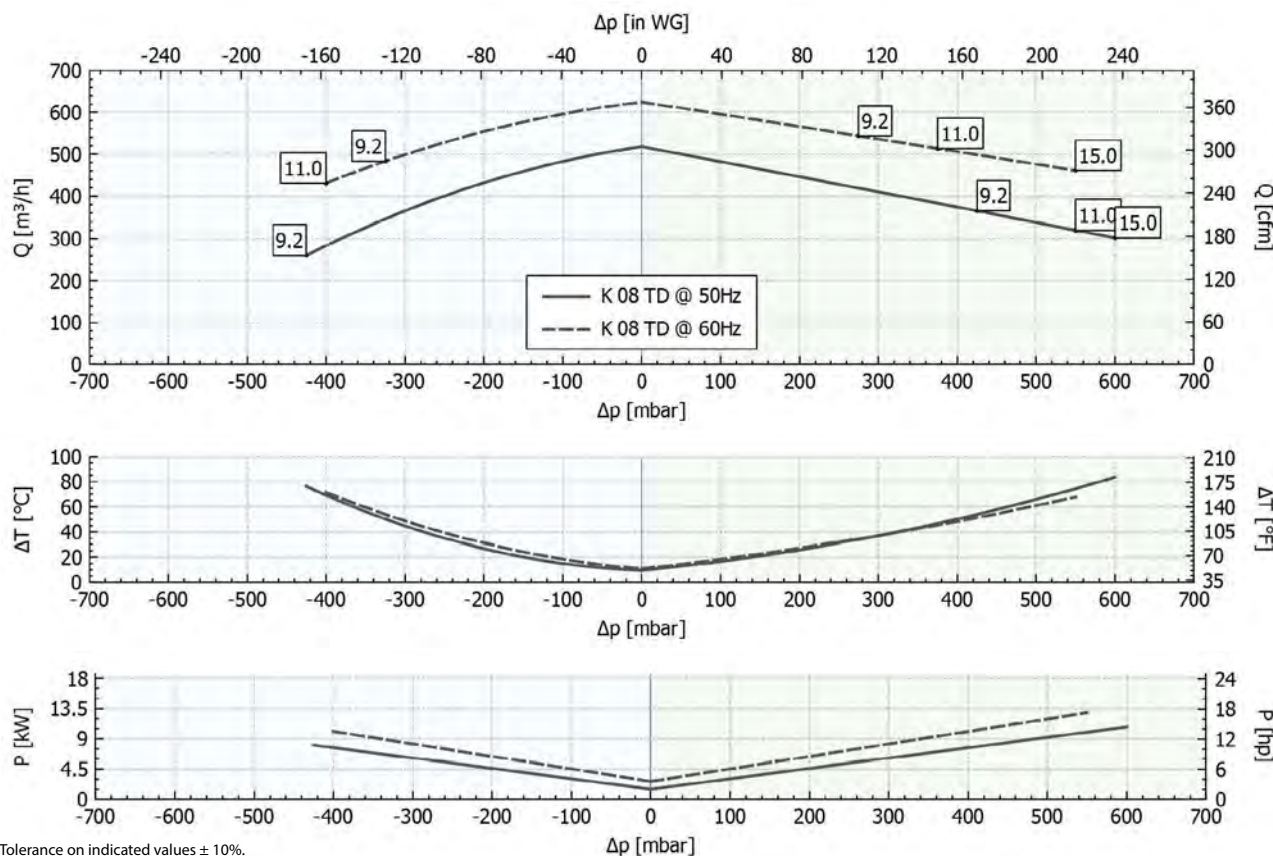
P _n [kW]	Frequency [Hz]	Δp _{max} [mbar]		Q _{max} [m ³ /h]	Leq ¹ [dB(A)]	Weight [kg]	H ³ [mm]
		Suction	Compression				
9.2	50	425	425	518	77	132.0	877
9.2	60	325	275	625	79	132.0	877
11	50	-	550	518	77	136.0	877
11	60	400	375	625	79	136.0	877
15	50	-	600	518	77	174.5	982
15	60	-	550	625	79	174.5	982

1. Noise level measured at a distance of 1 m with ducted intake and delivery, in accordance with Standard ISO 3744.

2. See figure "dimensions" at following page.

SUCTION

COMPRESSION

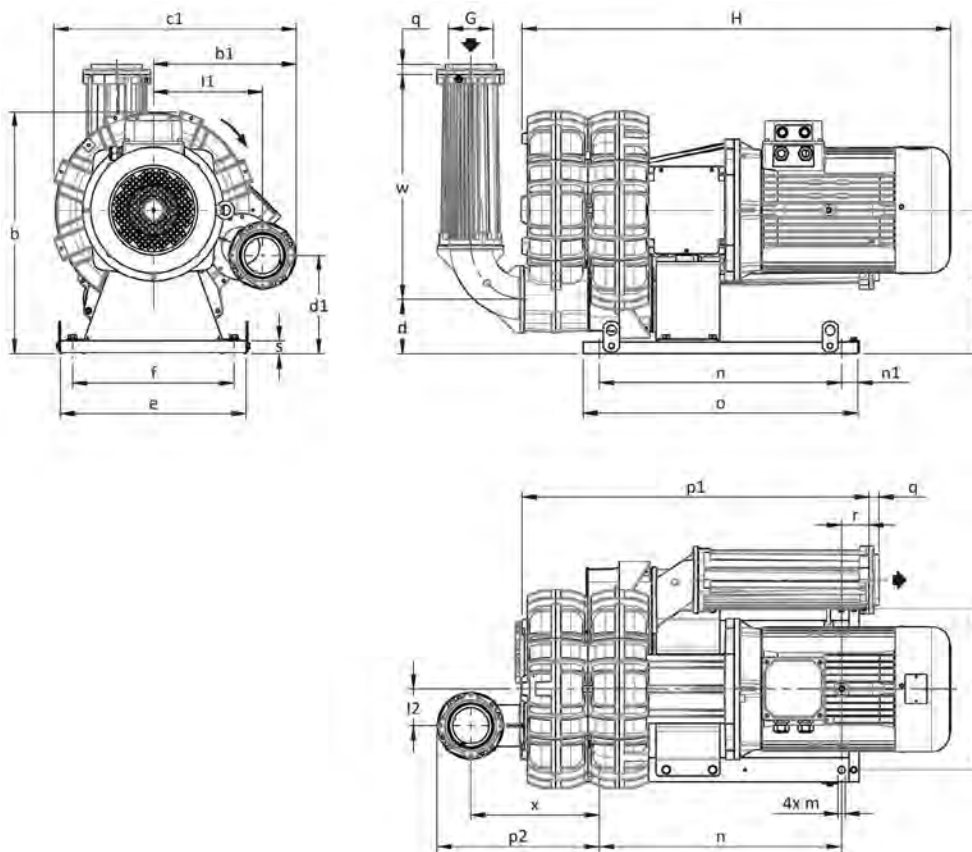


Tolerance on indicated values $\pm 10\%$.

Data subject to change without notice.

Curves referring to air at a temperature of 20 °C and atmospheric pressure of 1013 mbar (abs).

DIMENSIONS



For all assembly options refer to FPZ.
 Dimensions in mm
 NOT Binding

a	b	b1	c	c1	d	d1	e	f	G	l	l1	l2	m				
-	505	315	275	544	88	175	400	340	G 3"	-	243	77.5	18				
n	n1	o	o1	p1	p2	q	r	r1	s	s1	t	u	v	w	x	z	z1
520	40	600	-	750	346	25	64	-	30	-	-	-	-	481	274	-	-

INSTALLATION

- For proper operation of the machine, it must be provided with a suction FILTER and a vacuum/pressure limiting VALVE.
- Other accessories are available on request.
- Permissible ambient and fluid temperature in suction from -15 °C to +40 °C.
- Read the instruction manual carefully before installing the machine.

SIDE CHANNEL BLOWER • VERSION IE3

K09TD GOR

Technical characteristics

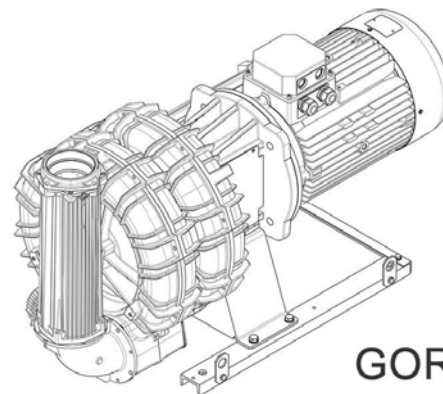
- Aluminium alloy construction
- Smooth operation
- Maintenance free

Electric motor

- Motors with IP55 protection rating
- Class F(B) insulation

Options

- Special voltages (IEC 60038)
- Surface treatments
- Increased seal version
- VFD compatible motor
- PTO/PTC thermal protector



GOR

PERFORMANCE TABLE

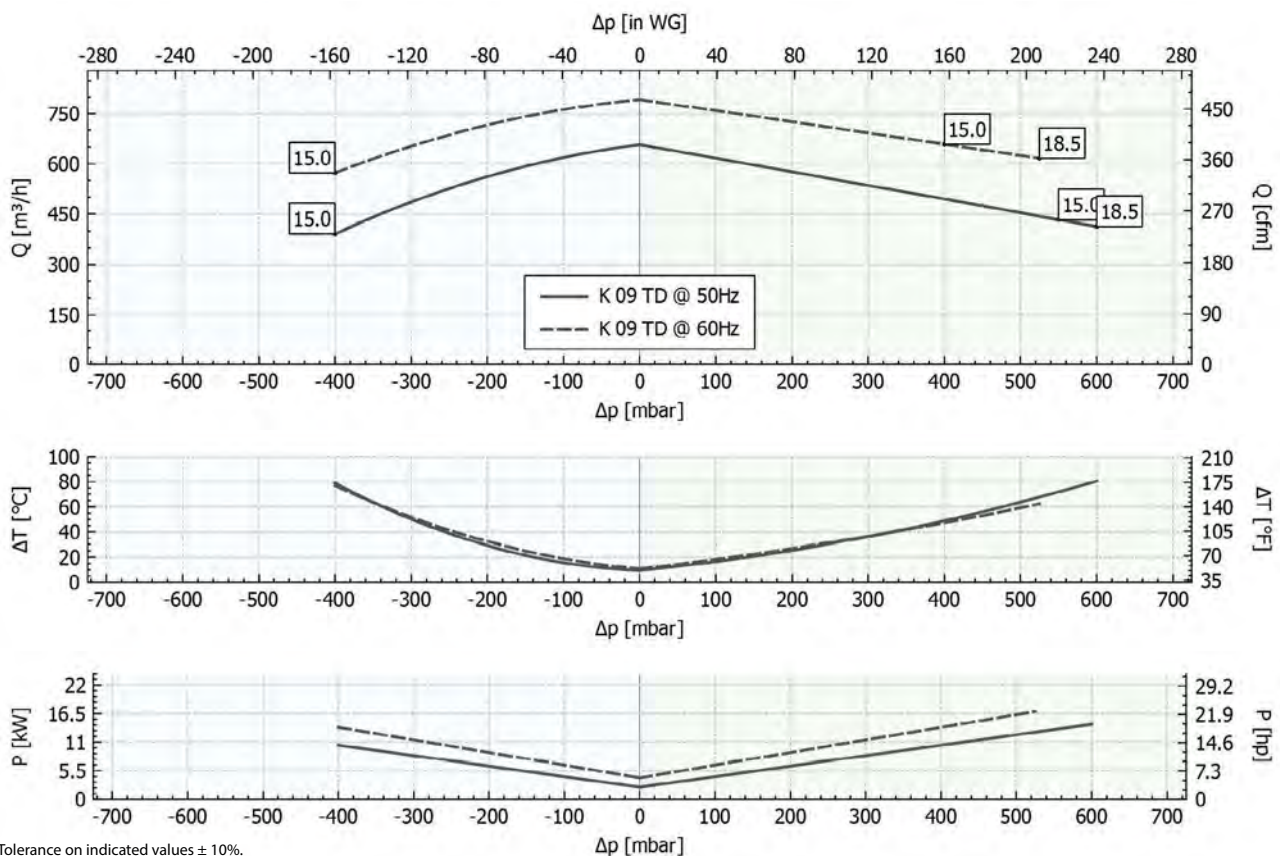
P _n [kW]	Frequency [Hz]	Δp _{max} [mbar]		Q _{max} [m ³ /h]	Leq ¹ [dB(A)]	Weight [kg]	H ³ [mm]
		Suction	Compression				
15	50	400	550	657	79.9	198.5	1014
15	60	400	400	793	81.9	198.5	1014
18.5	50	-	600	657	79.9	267.0	1058
18.5	60	-	525	793	81.9	267.0	1058

1. Noise level measured at a distance of 1 m with ducted intake and delivery, in accordance with Standard ISO 3744.

2. See figure "dimensions" at following page.

SUCTION

COMPRESSION

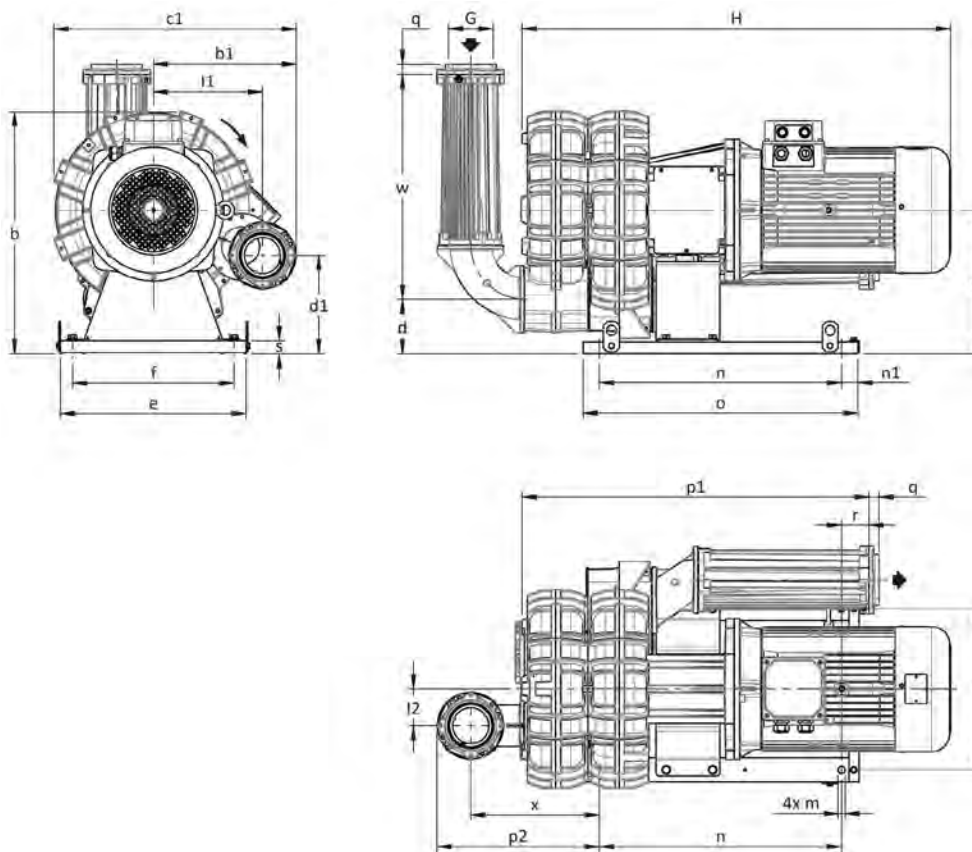


Tolerance on indicated values $\pm 10\%$.

Data subject to change without notice.

Curves referring to air at a temperature of 20 $^{\circ}C$ and atmospheric pressure of 1013 mbar (abs).

DIMENSIONS



For all assembly options refer to FPZ.
 Dimensions in mm
 NOT Binding

a	b	b1	c	c1	d	d1	e	f	G	l	l1	l2	m				
-	601	354	355	600	135	243	460	400	G 4"	-	270	91	18				
n	n1	o	o1	p1	p2	q	r	r1	s	s1	t	u	v	w	x	z	z1
600	40	680	-	858	403	25	68	-	30	-	-	-	-	556	319	-	-

INSTALLATION

- For proper operation of the machine, it must be provided with a suction FILTER and a vacuum/pressure limiting VALVE.
- Other accessories are available on request.
- Permissible ambient and fluid temperature in suction from -15 °C to +40 °C.
- Read the instruction manual carefully before installing the machine.

SIDE CHANNEL BLOWER • VERSION IE3

K10TD GOR

Technical characteristics

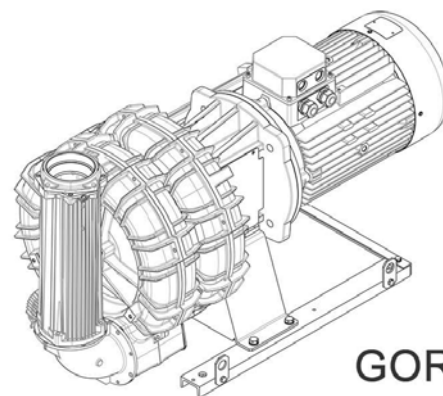
- Aluminium alloy construction
- Smooth operation
- Maintenance free

Electric motor

- Motors with IP55 protection rating
- Class F(B) insulation

Options

- Special voltages (IEC 60038)
- Surface treatments
- Increased seal version
- VFD compatible motor
- PTO/PTC thermal protector



GOR

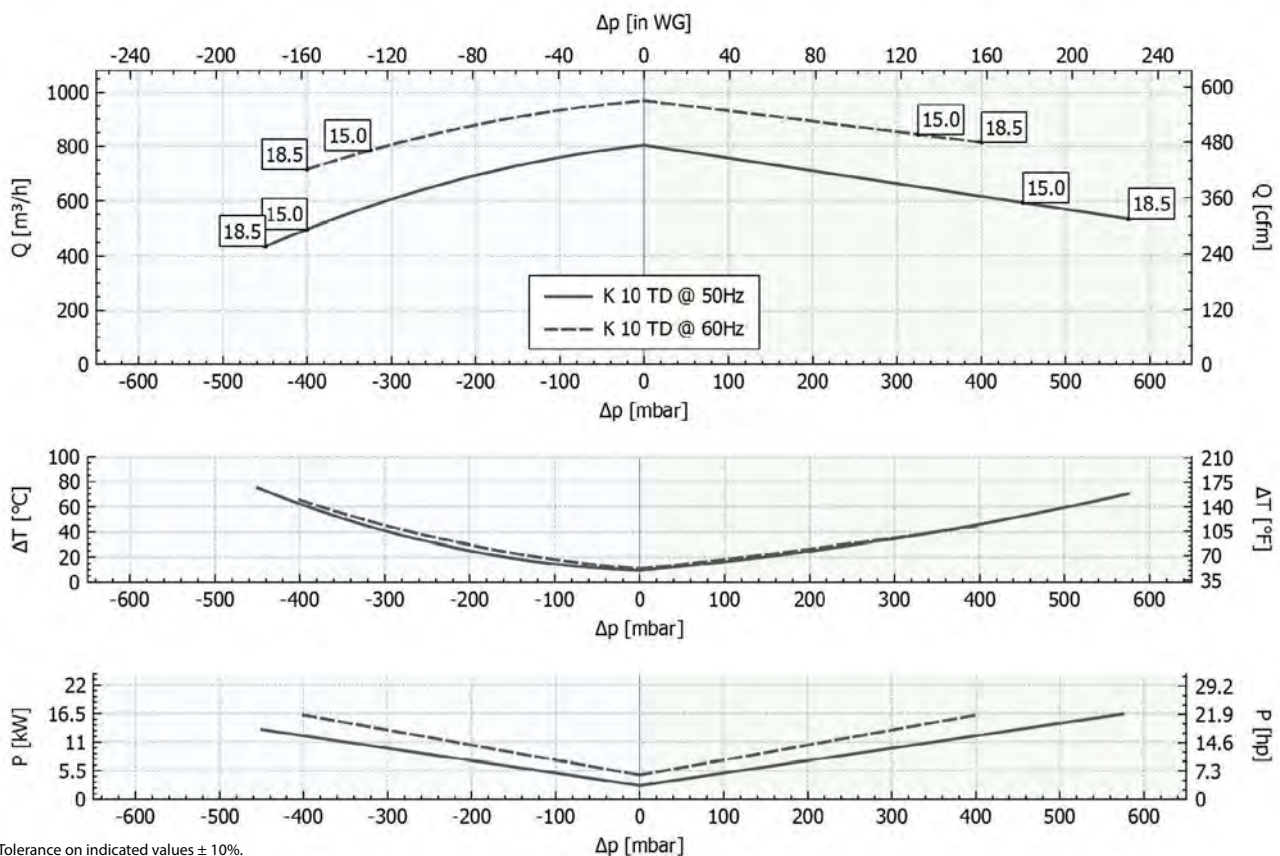
PERFORMANCE TABLE

P _n [kW]	Frequency [Hz]	Δp _{max} [mbar]		Q _{max} [m ³ /h]	Leq ¹ [dB(A)]	Weight [kg]	H ³ [mm]
		Suction	Compression				
15	50	400	450	804	83.9	202.0	1014
15	60	325	325	970	85.9	202.0	1014
18.5	50	450	575	804	83.9	270.5	1058
18.5	60	400	400	970	85.9	270.5	1058

1. Noise level measured at a distance of 1 m with ducted intake and delivery, in accordance with Standard ISO 3744.
2. See figure "dimensions" at following page.

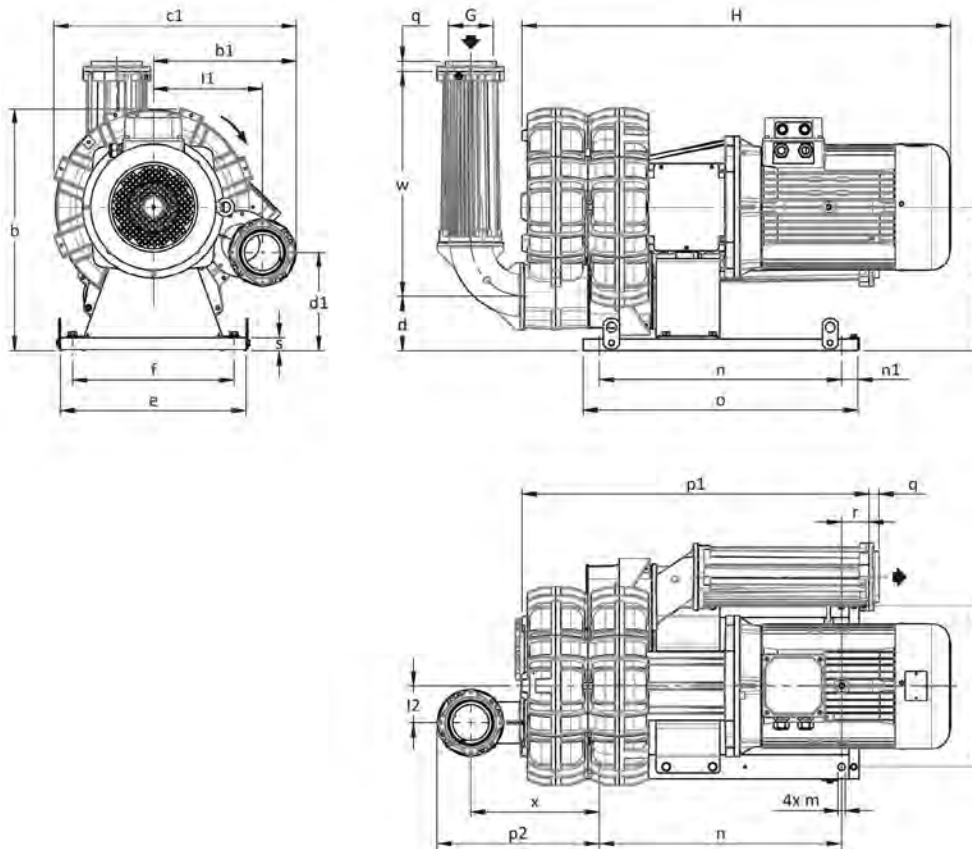
SUCTION

COMPRESSION



Tolerance on indicated values $\pm 10\%$.
 Data subject to change without notice.
 Curves referring to air at a temperature of 20 °C and atmospheric pressure of 1013 mbar (abs).

DIMENSIONS



For all assembly options refer to FPZ.
 Dimensions in mm
 NOT Binding

a	b	b1	c	c1	d	d1	e	f	G	l	l1	l2	m				
-	614	354	355	613	135	243	460	400	G 4"	-	270	91	18				
n	n1	o	o1	p1	p2	q	r	r1	s	s1	t	u	v	w	x	z	z1
600	40	680	-	858	403	25	68	-	30	-	-	-	-	556	319	-	-

INSTALLATION

- For proper operation of the machine, it must be provided with a suction FILTER and a vacuum/pressure limiting VALVE.
- Other accessories are available on request.
- Permissible ambient and fluid temperature in suction from -15 °C to +40 °C.
- Read the instruction manual carefully before installing the machine.

SIDE CHANNEL BLOWER • VERSION IE3

K11TD GOR

Technical characteristics

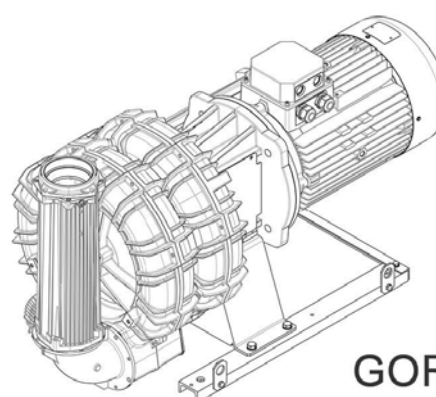
- Aluminium alloy construction
- Smooth operation
- Maintenance free

Electric motor

- Motors with IP55 protection rating
- Class F(B) insulation

Options

- Special voltages (IEC 60038)
- Surface treatments
- Increased seal version
- VFD compatible motor
- PTO/PTC thermal protector



GOR

PERFORMANCE TABLE

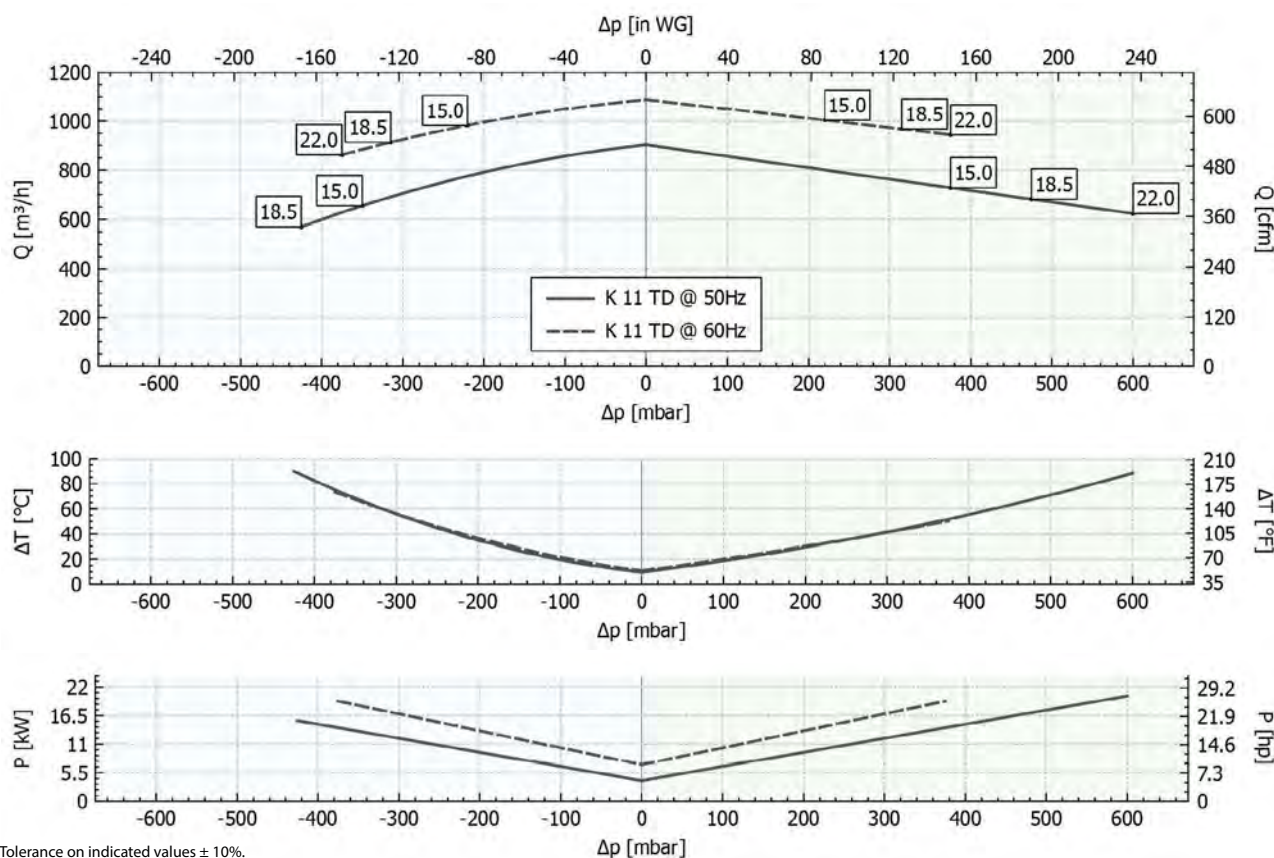
P _n [kW]	Frequency [Hz]	Δp _{max} [mbar]		Q _{max} [m ³ /h]	Leq ¹ [dB(A)]	Weight [kg]	H ³ [mm]
		Suction	Compression				
15	50	350	375	903	84.2	214.5	1029
15	60	220	220	1089	86.2	214.5	1029
18.5	50	425	475	903	84.2	283.0	1073
18.5	60	315	315	1089	86.2	283.0	1073
22	50	-	600	903	84.2	310.0	1114
22	60	375	375	1089	86.2	310.0	1114

1. Noise level measured at a distance of 1 m with ducted intake and delivery, in accordance with Standard ISO 3744.

2. See figure "dimensions" at following page.

SUCTION

COMPRESSION

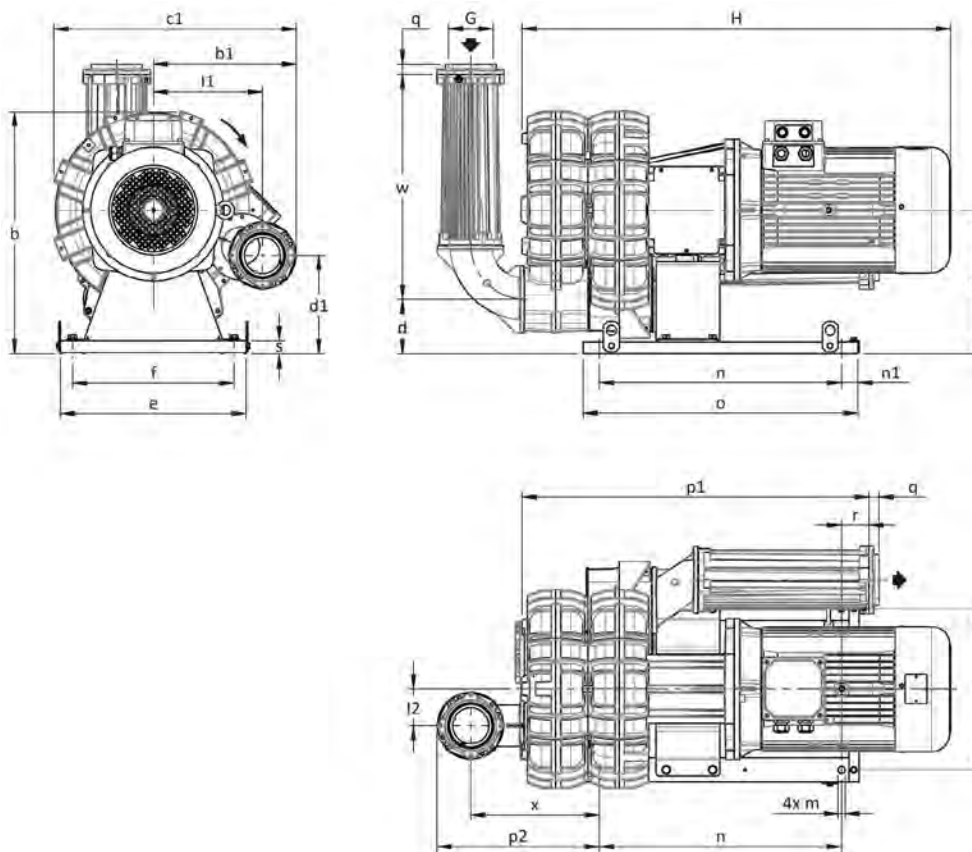


Tolerance on indicated values $\pm 10\%$.

Data subject to change without notice.

Curves referring to air at a temperature of 20 $^{\circ}C$ and atmospheric pressure of 1013 mbar (abs).

DIMENSIONS



For all assembly options refer to FPZ.
 Dimensions in mm
 NOT Binding

a	b	b1	c	c1	d	d1	e	f	G	l	l1	l2	m				
-	626	376	355	648	114	234	460	400	G 4"	-	292	100	18				
n	n1	o	o1	p1	p2	q	r	r1	s	s1	t	u	v	w	x	z	z1
600	40	680	-	878	418	25	73	-	30	-	-	-	-	556	334	-	-

INSTALLATION

- For proper operation of the machine, it must be provided with a suction FILTER and a vacuum/pressure limiting VALVE.
- Other accessories are available on request.
- Permissible ambient and fluid temperature in suction from -15 °C to +40 °C.
- Read the instruction manual carefully before installing the machine.

SIDE CHANNEL BLOWER • VERSION IE3

K12TD GOR

Technical characteristics

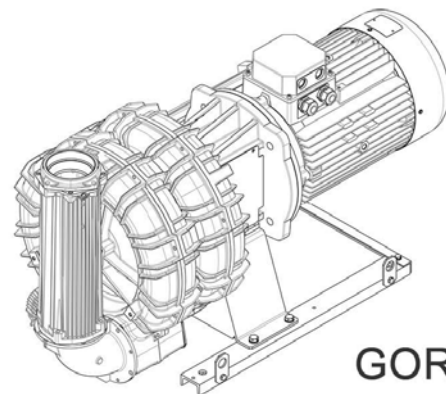
- Aluminium alloy construction
- Smooth operation
- Maintenance free

Electric motor

- Motors with IP55 protection rating
- Class F(B) insulation

Options

- Special voltages (IEC 60038)
- Surface treatments
- Increased seal version
- VFD compatible motor
- PTO/PTC thermal protector



GOR

PERFORMANCE TABLE

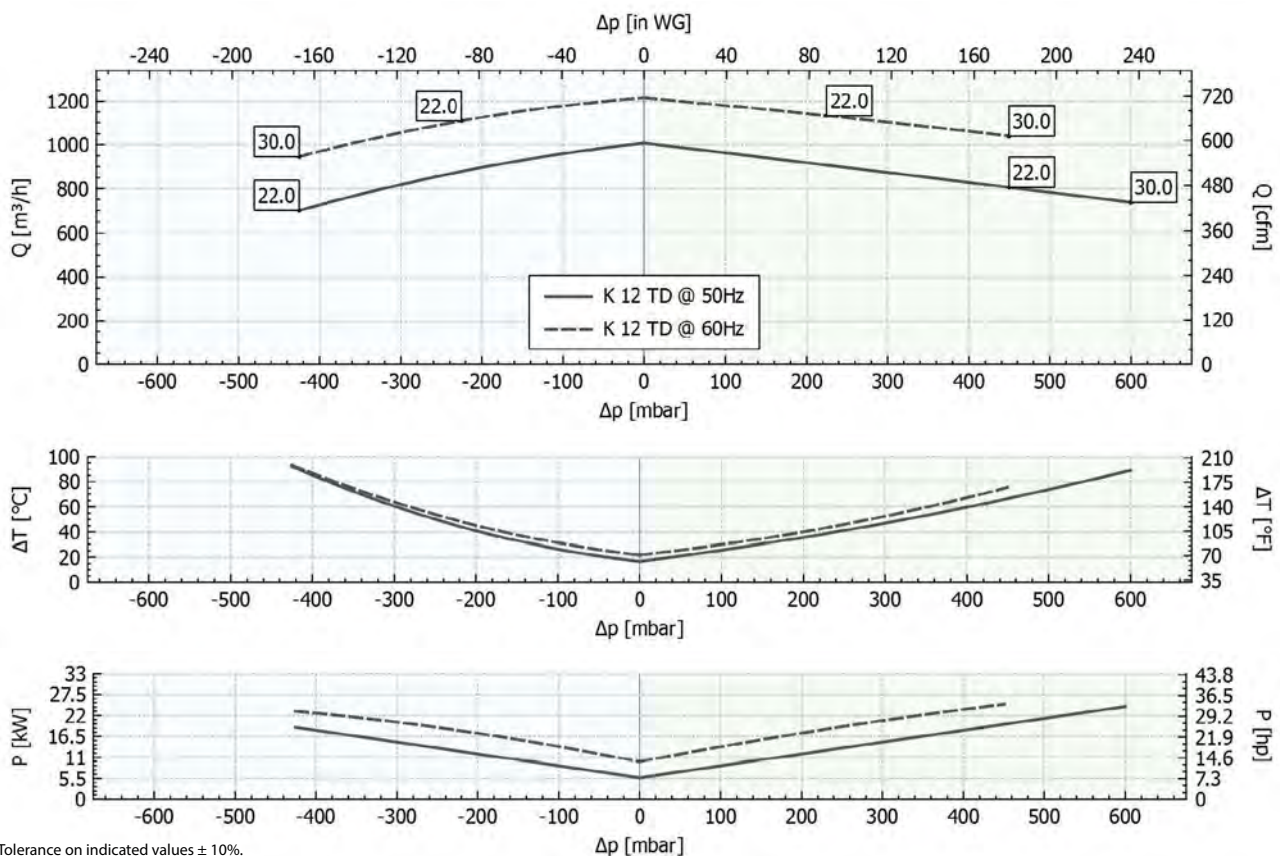
P _n [kW]	Frequency [Hz]	Δp _{max} [mbar]		Q _{max} [m ³ /h]	Leq ¹ [dB(A)]	Weight [kg]	H ³ [mm]
		Suction	Compression				
22	50	425	450	1007	85	310.5	1113
22	60	225	225	1216	87.5	310.5	1113
30	50	-	600	1007	85	372.0	1218
30	60	425	450	1216	87.5	372.0	1218

1. Noise level measured at a distance of 1 m with ducted intake and delivery, in accordance with Standard ISO 3744.

2. See figure "dimensions" at following page.

SUCTION

COMPRESSION

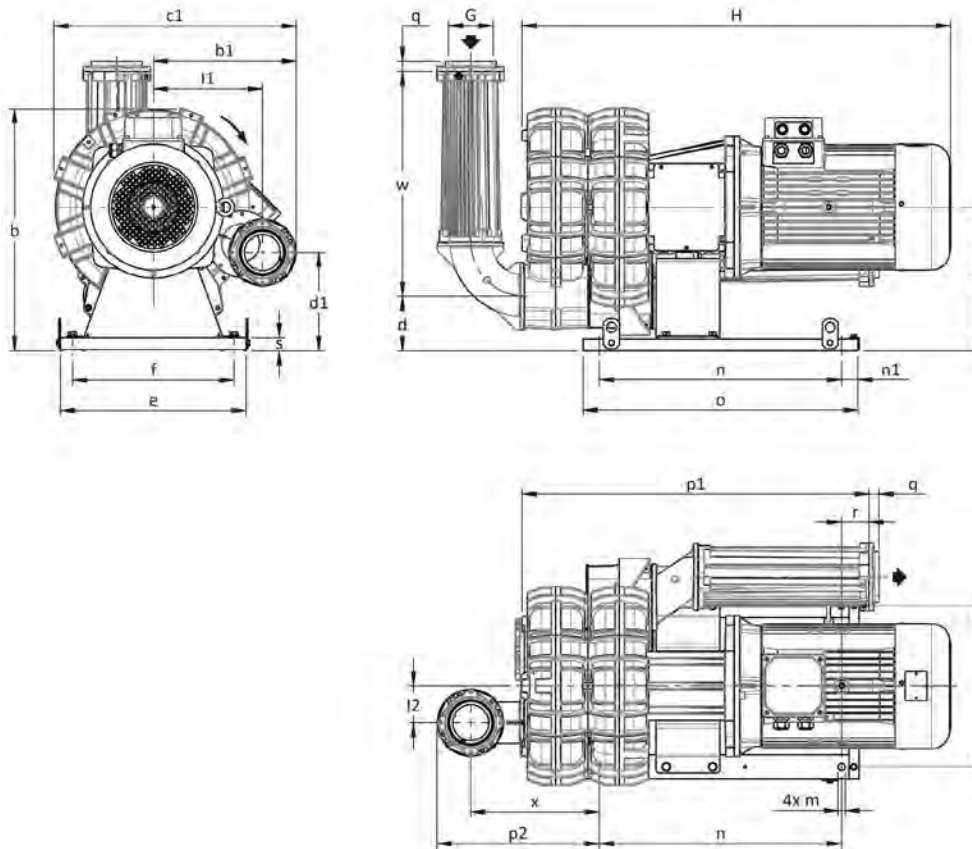


Tolerance on indicated values $\pm 10\%$.

Data subject to change without notice.

Curves referring to air at a temperature of 20 °C and atmospheric pressure of 1013 mbar (abs).

DIMENSIONS



For all assembly options refer to FPZ.
 Dimensions in mm
 NOT Binding

a	b	b1	c	c1	d	d1	e	f	G	l	l1	l2	m				
-	628	376	355	650	114	234	460	400	G 4"	-	292	100	18				
n	n1	o	o1	p1	p2	q	r	r1	s	s1	t	u	v	w	x	z	z1
600	40	680	-	881	418	25	73	-	30	-	-	-	-	556	334	-	-

INSTALLATION

- For proper operation of the machine, it must be provided with a suction FILTER and a vacuum/pressure limiting VALVE.
- Other accessories are available on request.
- Permissible ambient and fluid temperature in suction from -15 °C to +40 °C.
- Read the instruction manual carefully before installing the machine.